



ADO

**PVC PROFILE
TECHNICAL CATALOGUE**





INDEX

Ado Quality Certificate	5
Ado Profile Systems 3D	6
Ado Profile Systems Technic Detail	8
Penwood 883 Serie	10
Penwood 750 Serie	14
Penwood 760 Serie	20
Penwood 632 Serie	26
Penwood 232 Sliding Serie	32
W 800- W 860 Serie	38
W 873 Serie	42
W 790 Serie	48
W 777 Serie	54
W 752 - W 750 Serie	60
W 760 Serie	68
W 640 - W 642 Serie	74
W 634 Serie	80
W 632 Serie	86
W 624 Serie	92
WO 60 Serie	98
W FR 60 Serie	104
W 330 - W 332 Serie	116
W 880 Hebeschiebe Serie	122
W 232 Sliding System with Single Rail	132
W 232 Sliding System	132
W 222 Sliding System	142
W 150 Sliding System	150
Roller Shutter Profile System	154
Shutter System	166
Glazing Bead Combination Table	168
Auxiliary Profile	171

ADO QUALITY CERTIFICATED



Penwood CE



EN 12412-2 Uf:1.1W/(m².K)



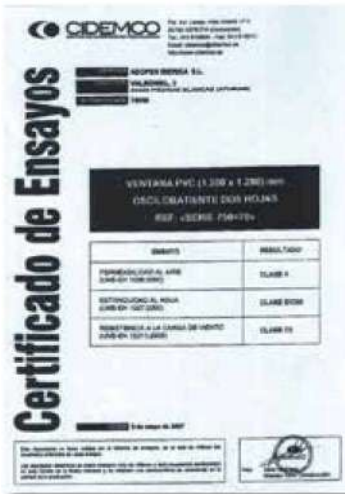
ROSENHEIM - GERMANY



EMI - HUNGARY



INCERC - ROMANIA



CIDEMCO - SPAIN



ISO 14001:2015



ISO 9001:2015

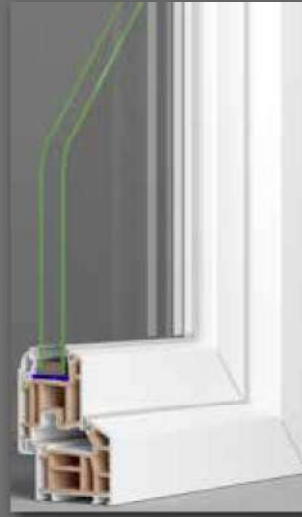
ADO PROFILE SYSTEMS



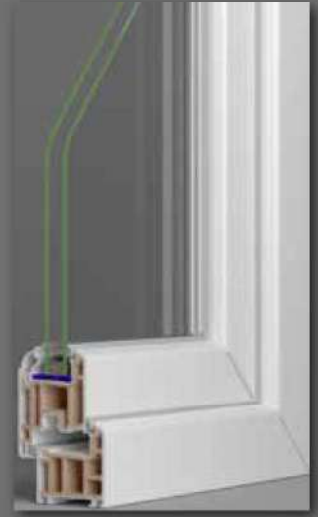
Penwood 883



Penwood 750



Penwood 760



Penwood 632



Penwood 232 Sliding



W 800 / W 860



W 873



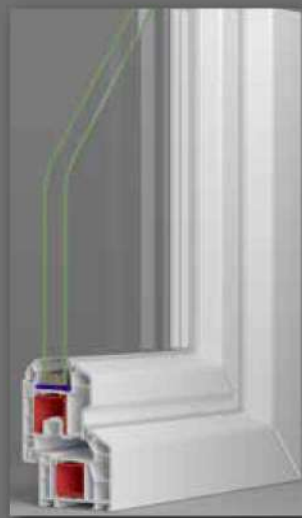
W 790



W 777



W 752 / W 750



W 760



W 640 / W 642

LAMINATED COLORS



GOLDEN OAK
ST 500



DARK OAK
ST 501



SWAMP OAK
ST 503



LIGHT OAK
ST 515

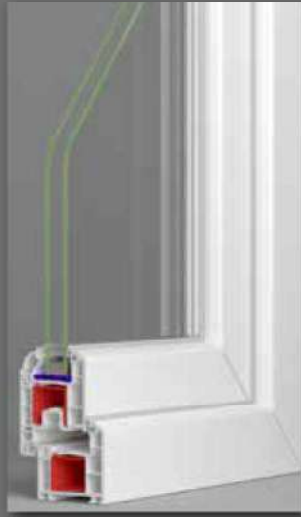


MAHOGANY
ST 504

ADO PROFILE SYSTEMS



W 634



W 632



W 624



WO 60



W FR 60 SERIES



W 330 / W 332



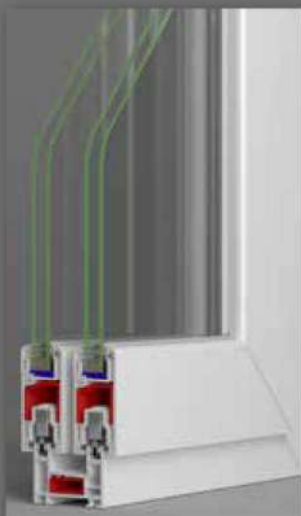
W 880
(HEBESCHIEBE)



W 232 SLIDING
SYSTEM WITH
SINGLE RAIL



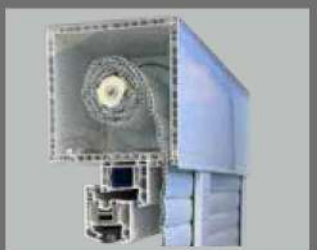
W 232 SLIDING
SYSTEM



W 222 SLIDING
SYSTEM



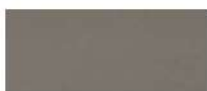
W 150 SLIDING
SYSTEM



W ROLLER SHUTTER



SHUTTER



GREY SAND
AS 509



GREY
ST 507



ANT. GREY
ST 508

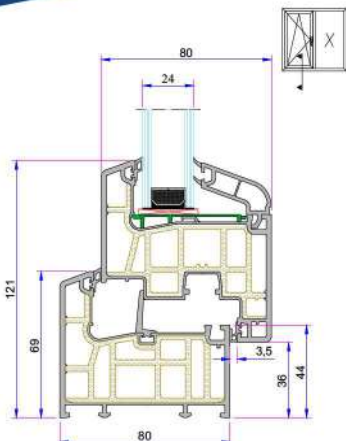


ANT. GREY
AS 508

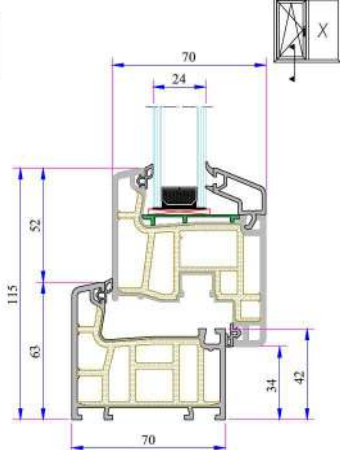


CREAM
AS 057

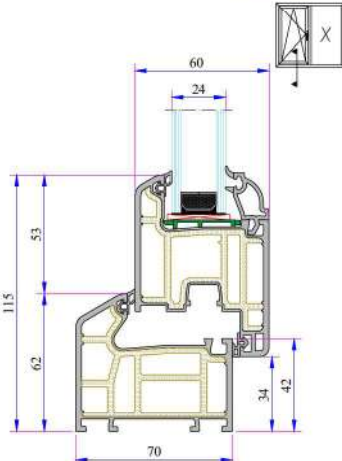
ADO PROFILE SYSTEMS



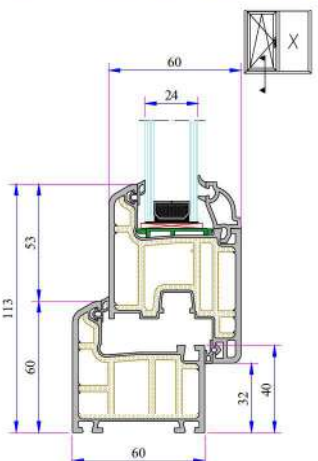
PENWOOD 883 SERIES



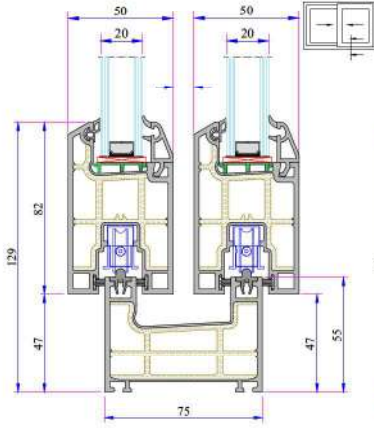
PENWOOD 750 SERIES



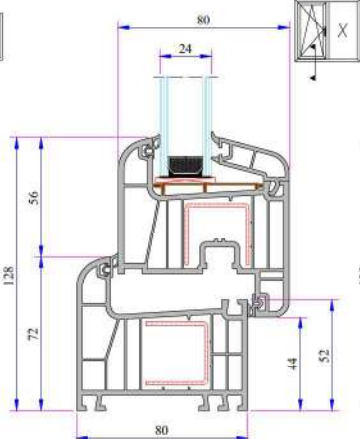
PENWOOD 760 SERIES



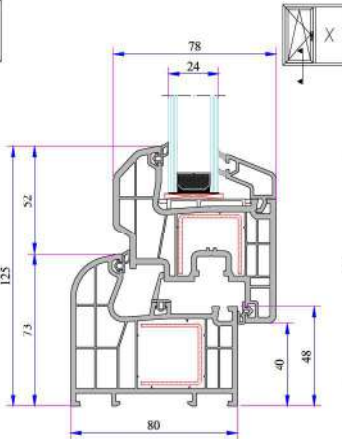
PENWOOD 632 SERIES



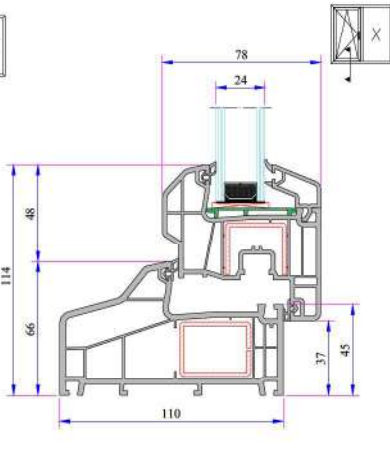
PENWOOD 232 SLIDING SERIES



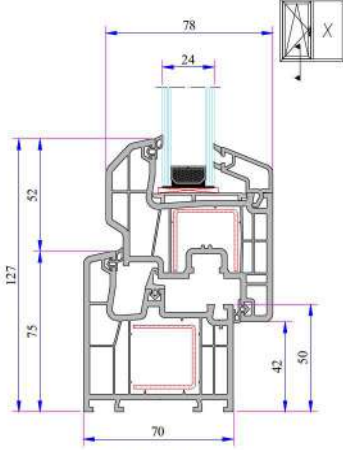
W 800 / W 860 SERIES



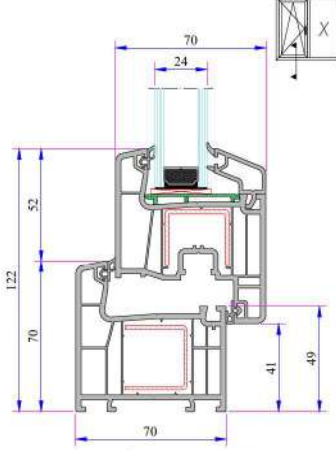
W 873 SERIES



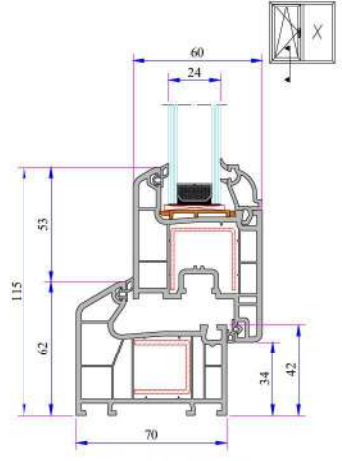
W 790 SERIES



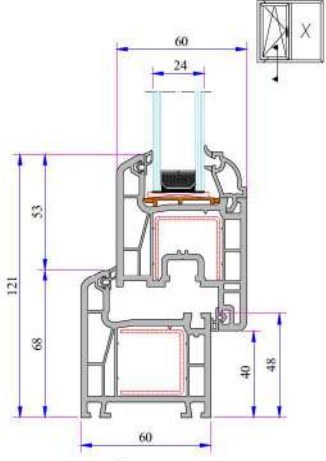
W 777 SERIES



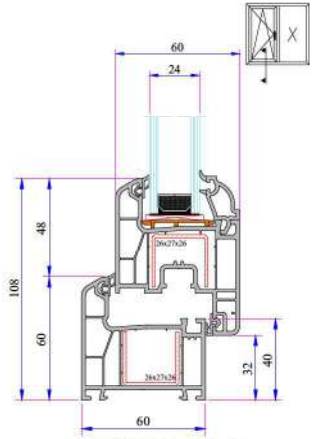
W 752 / W 750 SERIES



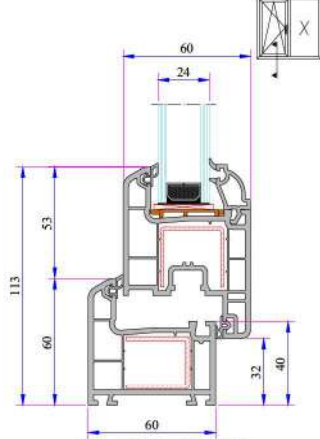
W 760 SERIES



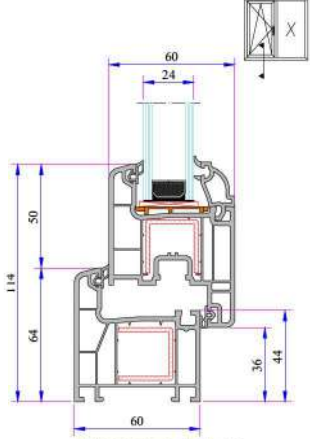
W 640 / W 642 SERIES



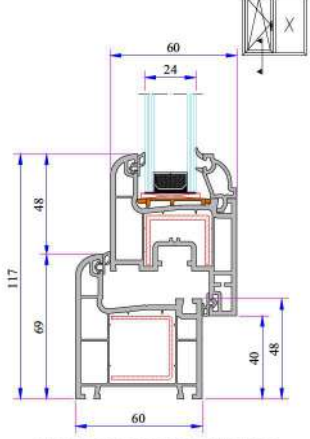
W 634 SERIES



W 632 SERIES

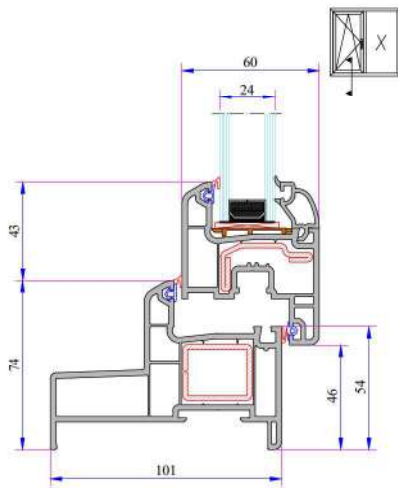


W 624 SERIES

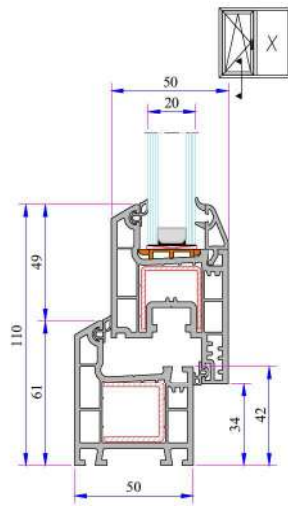


WO 60 (101) SERIES

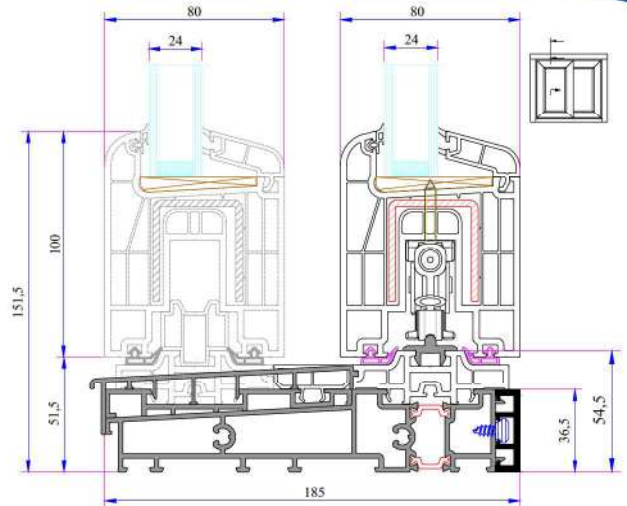
ADO PROFILE SYSTEMS



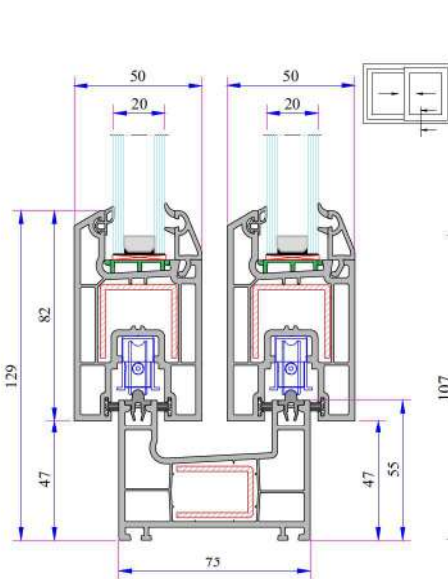
W FR 60 SERIES



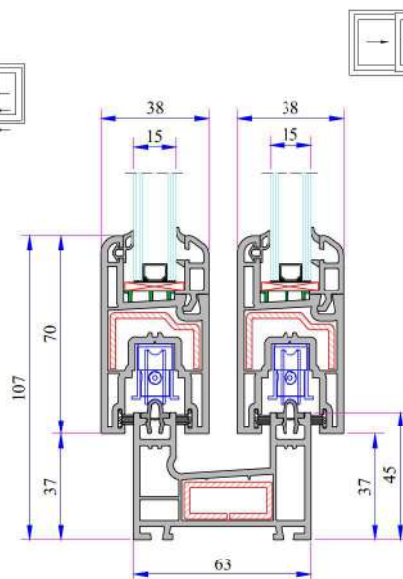
W 330 / W 332 SERIES



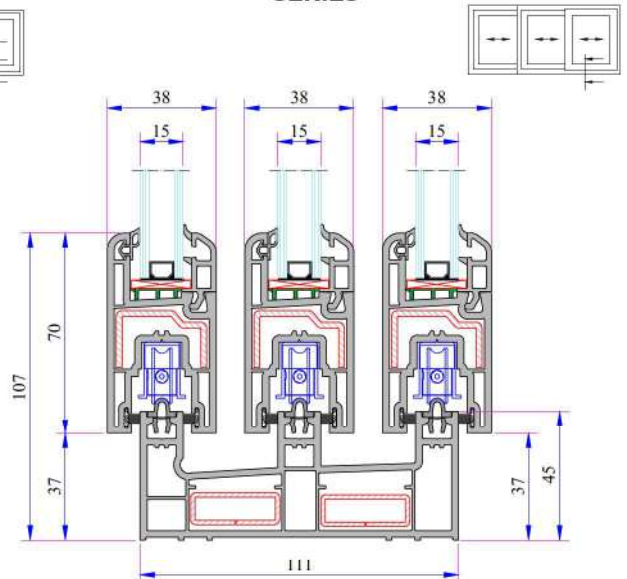
W 880 (HEBESCHIEBE) SERIES



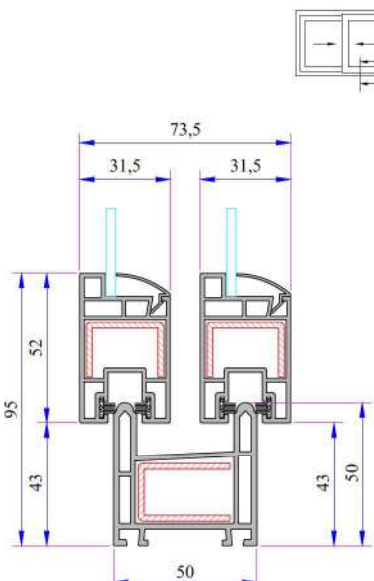
W 232 SLIDING SYSTEM WITH SINGLE RAIL SERIES



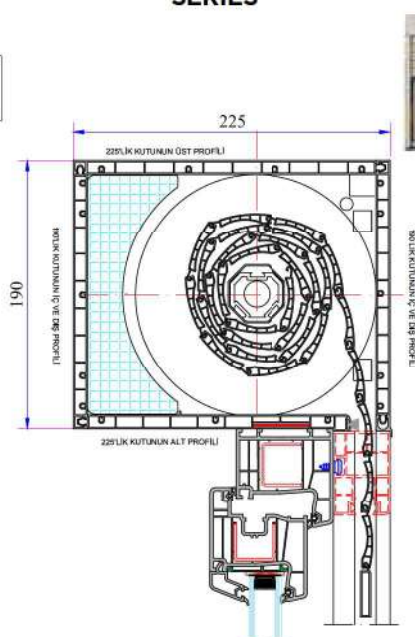
W 232 SLIDING SYSTEM WITH DOUBLE RAIL SERIES



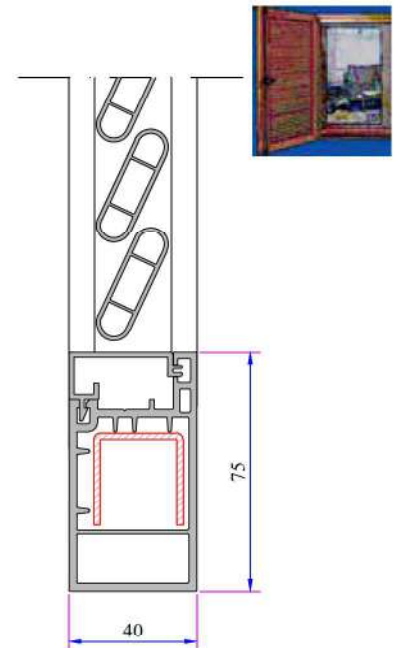
W 222 SLIDING SYSTEM SERIES



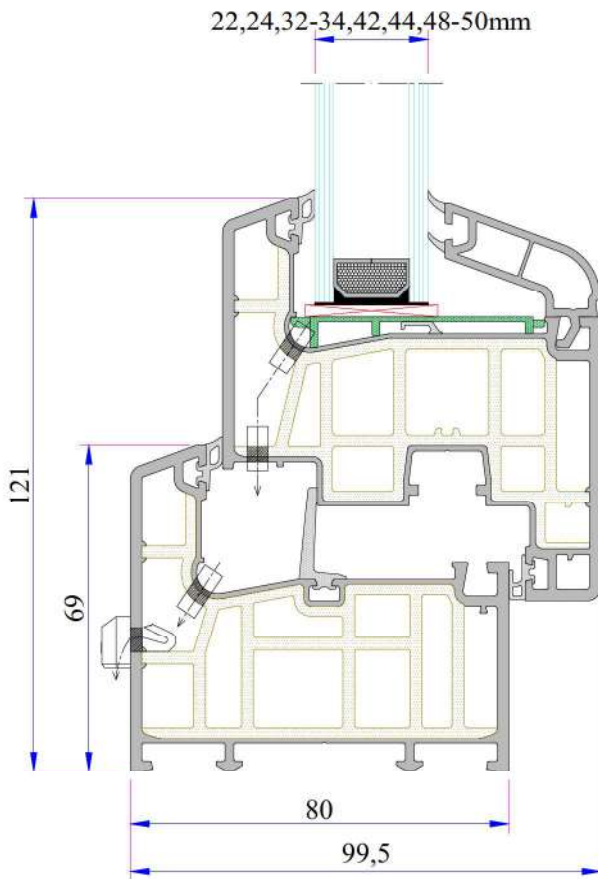
W 150 SLIDING SYSTEM SERIES



W ROLLER SHUTTER SERIES



SHUTTER SERIES



TECHNICAL

PENWOOD 883 SERIES

Profile Width: 80 mm

Number of chambers: 6 chambers system

Profile Class: A - B Class (TS EN 12608-1)

Seal Type: Triple seal system (External / Internal / Middle)

Seal Type and Color: TPE - Grey /Black

Glass Thickness (mm): 22, 24, 32-34, 42, 44, 48-50 mm

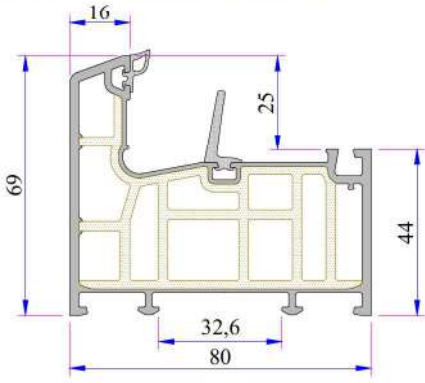
The thermal insulation Uf: 0,90W/m²K

Uw: 0,77 W/m²K

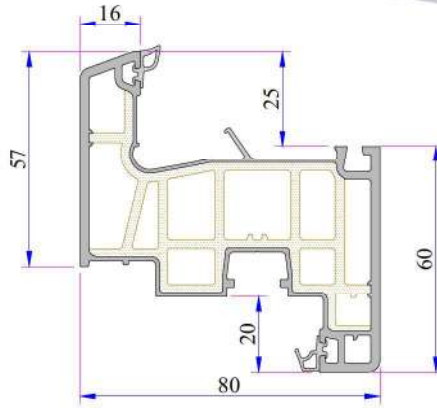
INSTRUCTION

- 80 mm profile system. Because of the composite profile extruded together, No need for extra metal reinforcement inside.
- No need for reinforcement cutting screwing unit and workman.
- Compared with metal reinforcement system profile, it has %30 more advantages with max heat-sound and water insulation.
- Just cut and weld. You do not need Metal Reinforcement and extra stock area for Metal Reinforcement.
- Possibility to install single 4-6 mm or double glazing 22, 24, 32 - 34, 42, 44, 48 - 50 mm with different thickness of glazing bead.
- It has water drainage channel, it can be directly drilled after cutting.
- Color range for laminated products.
- It's quality is accredited by national and international certificates.

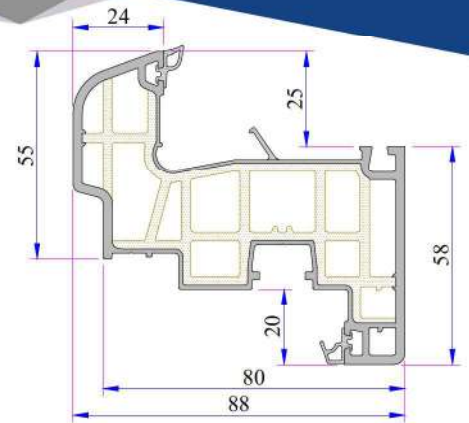
PENWOOD 883 SERIES PVC PROFILE SYSTEM



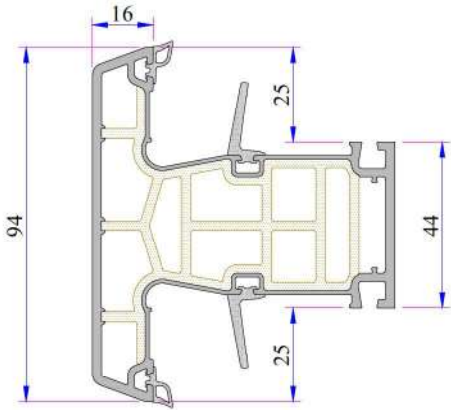
883 Penwood Frame Profile
Code: ???



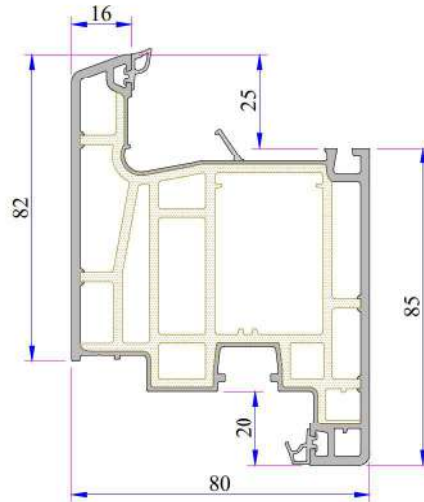
883 Penwood Sash Profile
Code: ???



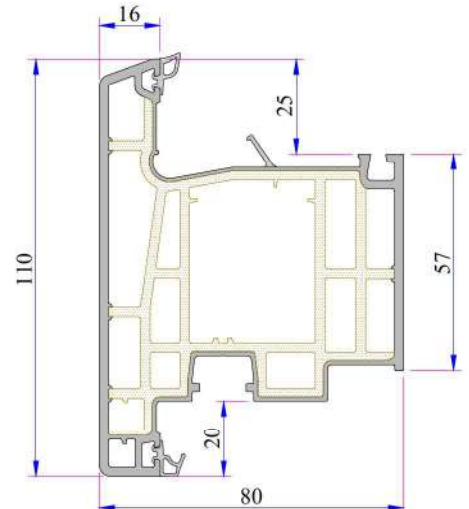
Offset Type Sash Profile
Code: ???



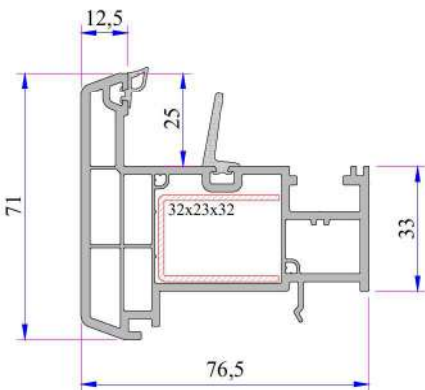
Mullion Profile
Code: ???



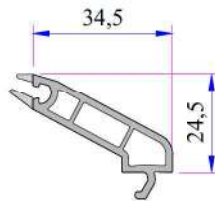
Door Sash Profile
Code: ???



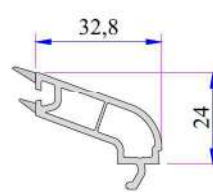
Outward Opening Door Sash Profile
Code: ???



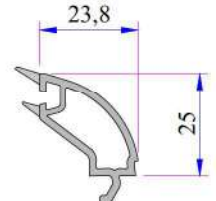
Lap Joint Profile
Code: ???



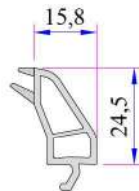
Glazing Bead 22mm
Code: ???



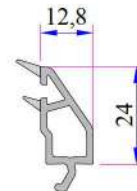
Glazing Bead 24mm
Code: ???



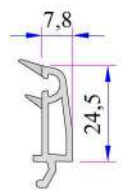
Glazing Bead 32-34mm
Code:
P.A.777.4204.600.0.HC



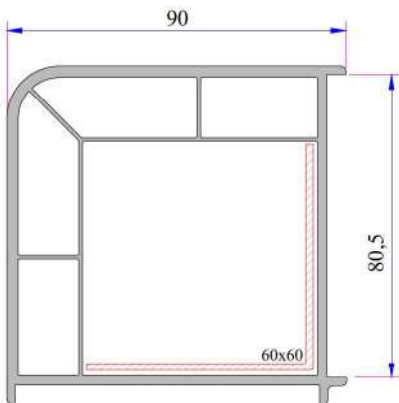
Glazing Bead 42mm
Code:
P.A.777.4302.600.0.HC



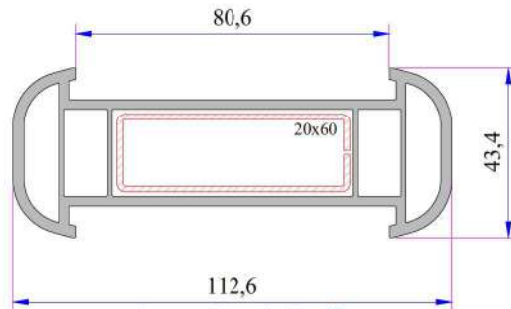
Glazing Bead 44mm
Code: ???



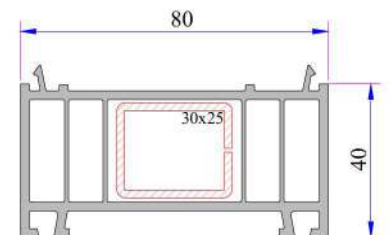
Glazing Bead 48-50mm
Code:
P.A.433.4500.600.0.HC



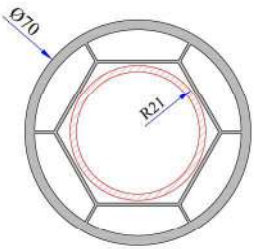
90° Corner Profile
Code: P.A.080.5100.600.0.00.19



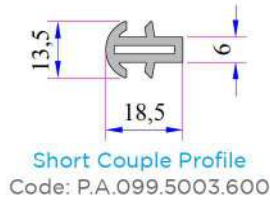
Large Couple Profile
Code: P.A.080.5000.600.0.00.19



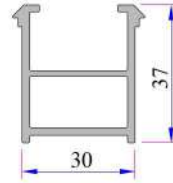
Frame Lifting Profile
Code: P.A.080.5300.600.0.00.19



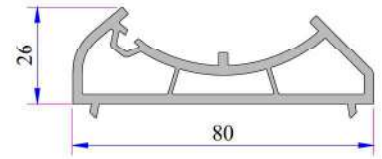
Pipe Profile
Code: P.A.070.5106.600



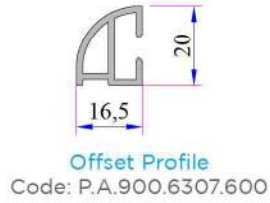
Short Couple Profile
Code: P.A.099.5003.600



Frame Montage Profile
Code:
P.A.060.5301.600.0.00.19

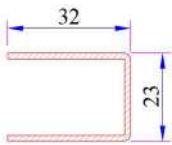


Angled Pipe Adaptor Profile
Code:
P.A.080.5104.600.0.00.19

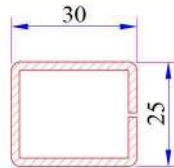


Offset Profile
Code: P.A.900.6307.600

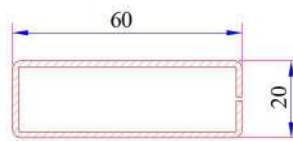
883 Penwood Re-Inforcement Profiles



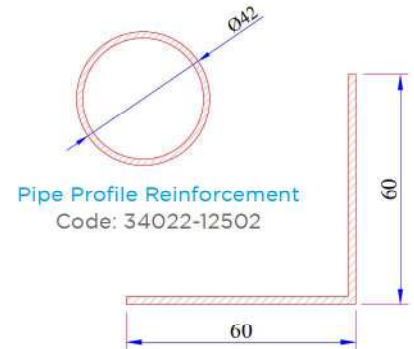
Lap Joint Profile Reinforcement
Code: ???



Frame Lifting Profile Reinforcement
Code: 34022-12119



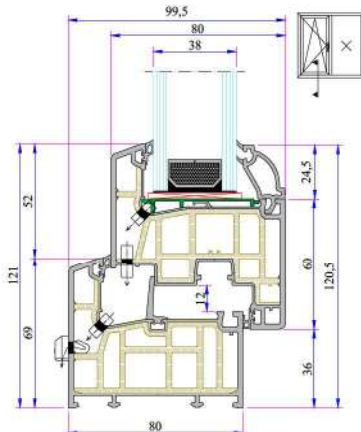
Large Coupling Profile Reinforcement
Code: 34022-12106



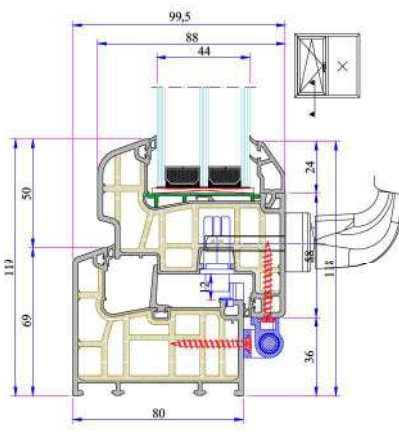
Pipe Profile Reinforcement
Code: 34022-12502

90° Corner Profile Reinforcement
Code: 34022-12306

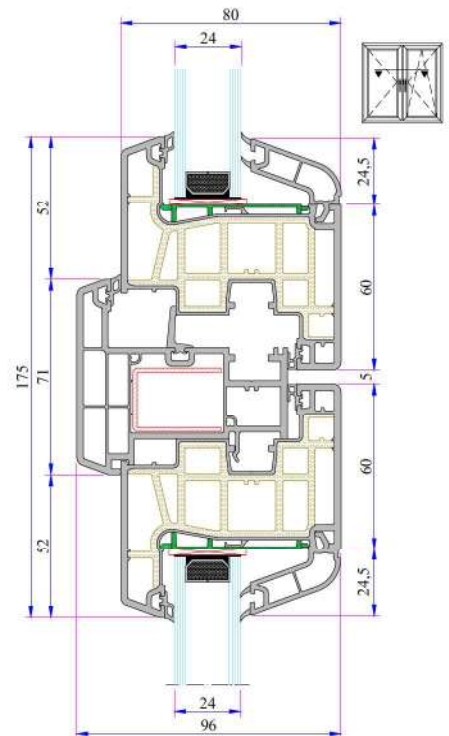
883 Penwood Installation



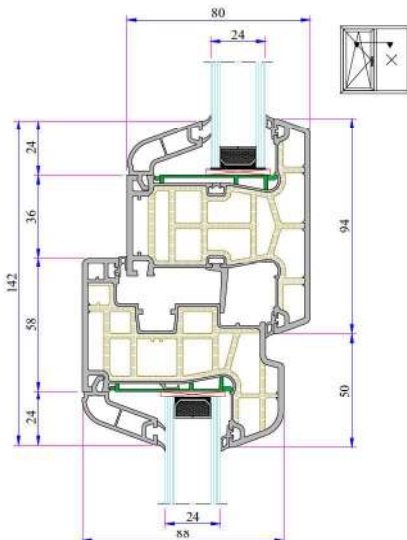
Frame - Sash Installation



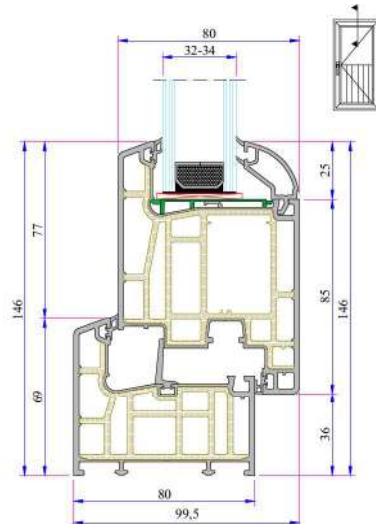
Frame - Offset Type Sash Installation



Sash - Lap Joint - Sash Installation

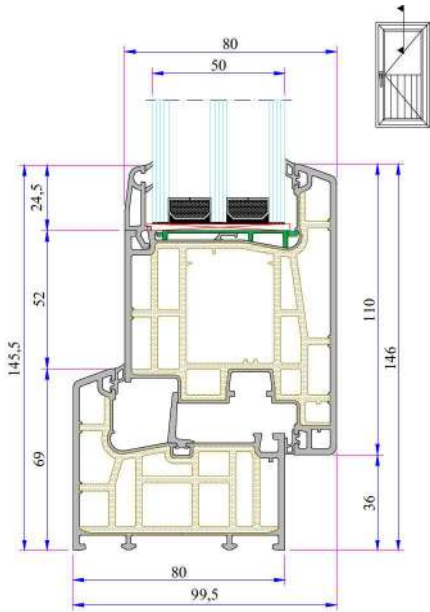


Mullion - Offset Type Sash Installation

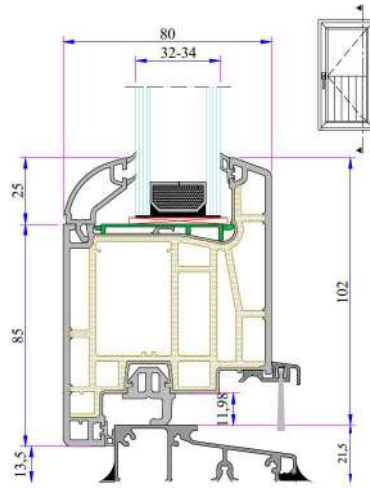


Frame - Door Sash Installation

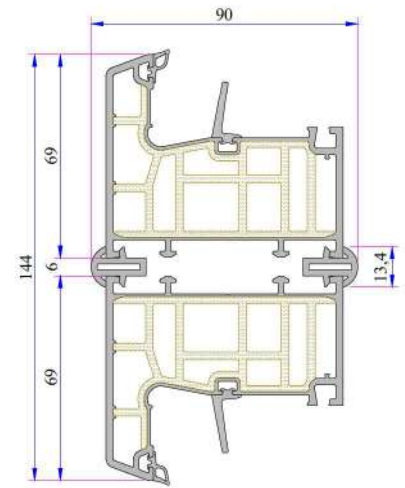
PENWOOD 883 SERIES PVC PROFILE SYSTEM



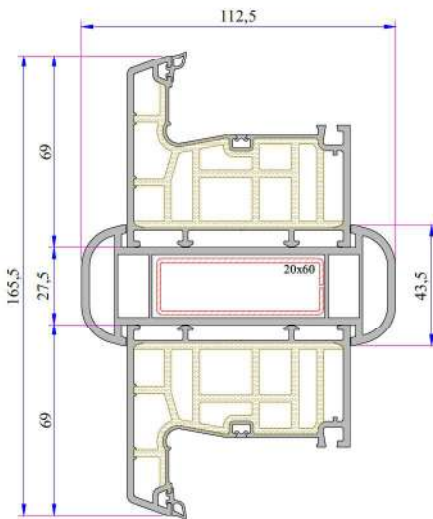
Frame - Outward Opening Door Sash Installation



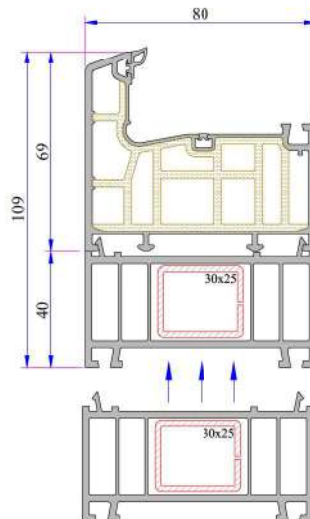
Aluminium Threshold Profile Installation



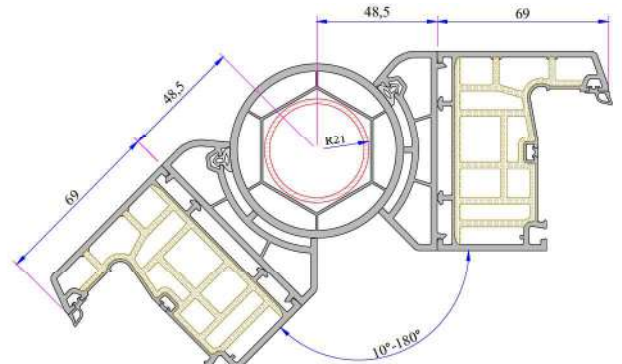
Short Coupling Profile Installation



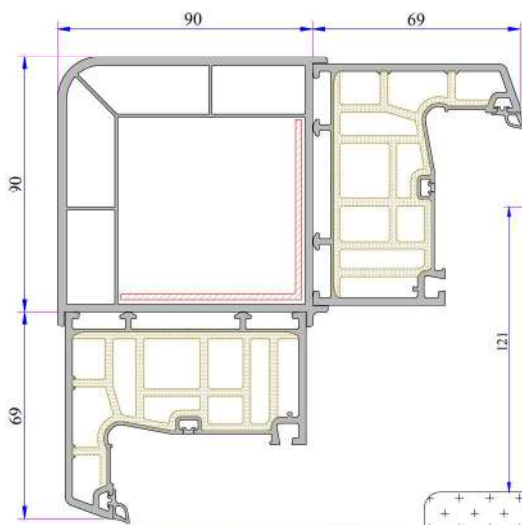
Large Coupling Profile Installation



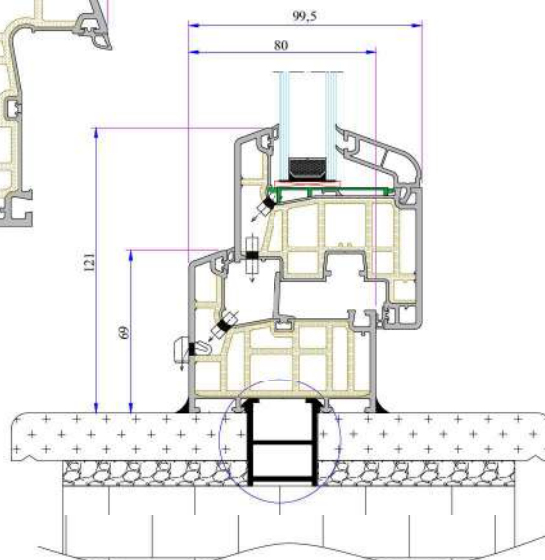
Frame Lifting Profile Installation



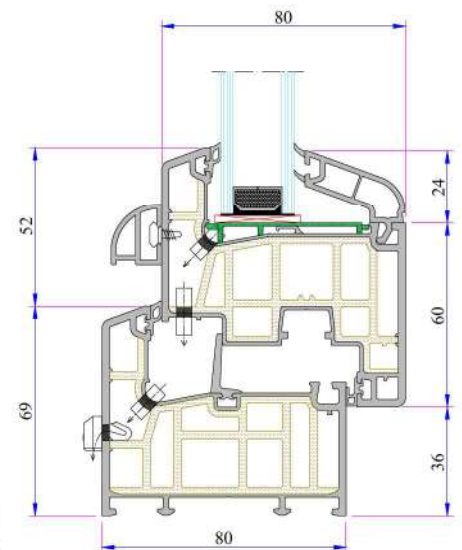
135° Corner Profile Installation



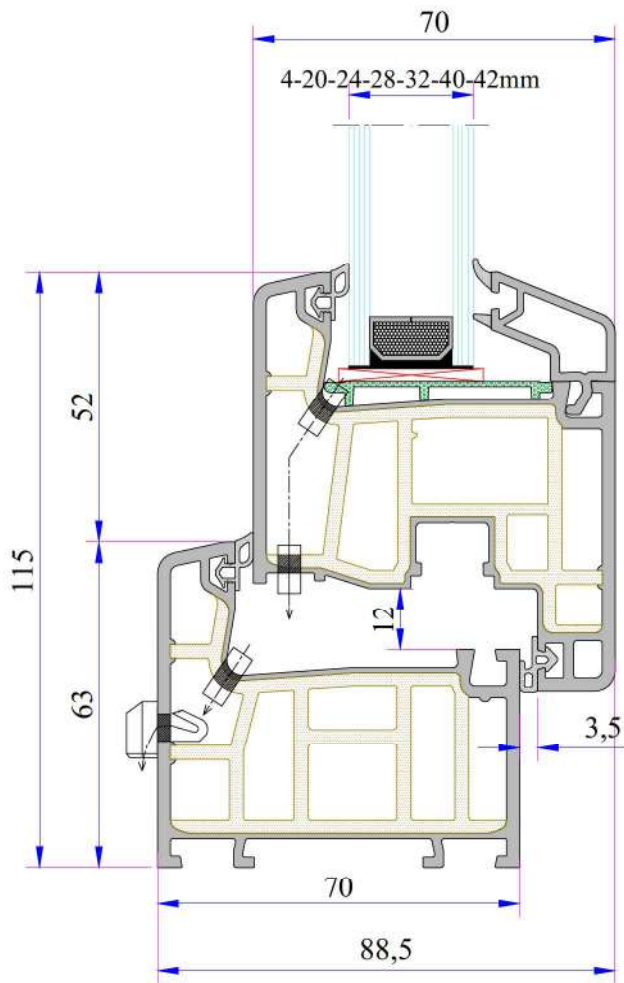
90° Corner Profile Installation



Frame Montage Profile Installation



Offset Type Profile Profile Installation



TECHNICAL

Penwood 750 SERIES

Profile Width: 70 mm

Number of chambers: 5 chambers system

Profile Class: B Class (TS EN 12608-1)

Seal Type: External / Internal double seal system

Seal Type and Color: TPE - Grey /Black

Glass Thickness (mm): 4, 20, 24, 28, 32, 40, 42 mm

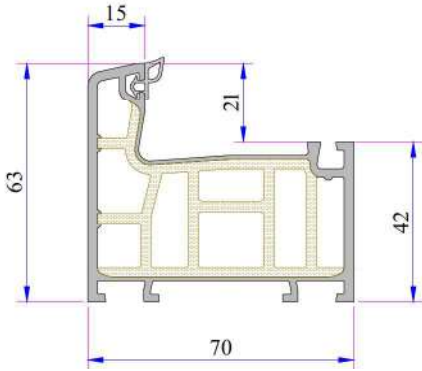
The thermal insulation Uf: 1,1W/m²K

Uw: 0,89 W/m²K

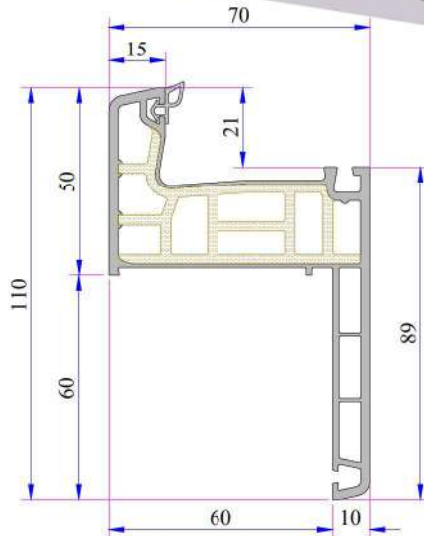
INSTRUCTION

- 70 mm profile system. Because of the composite profile extruded together, No need for extra metal reinforcement inside.
- No need for reinforcement cutting screwing unit and workman.
- Compared with metal reinforcement system profile, it has %30 more advantages with max heat-sound and water insulation.
- Just cut and weld. You do not need Metal Reinforcement and extra stock area for Metal Reinforcement.
- Possibility to install single 4-6 mm or double glazing 20, 24, 28, 32, 40, 42 mm with different thickness of glazing bead.
- It has water drainage channel, it can be directly drilled after cutting.
- Color range for laminated products.
- It's quality is accredited by national and international certificates.

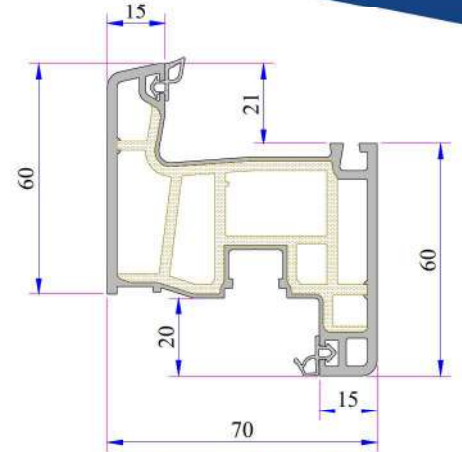
PENWOOD 750 SERIES PVC PROFILE SYSTEM



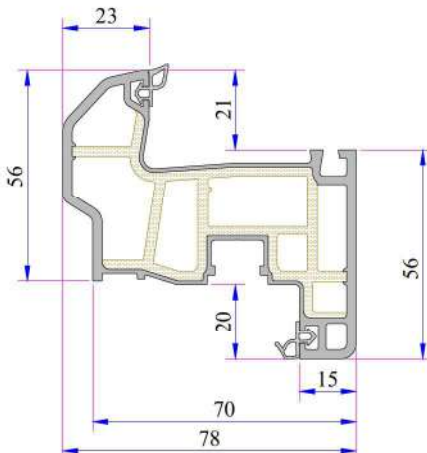
750 Penwood Frame Profile
Code: P.A.750.1000.600.2.BC.03



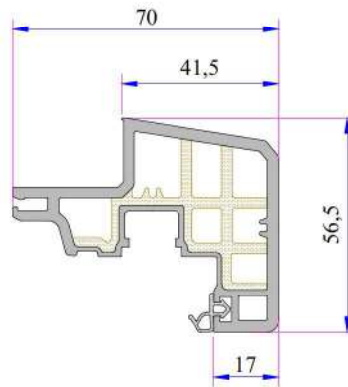
750 Penwood Frame Profile with Sill
Code: P.A.750.1200.600.2.BC.03



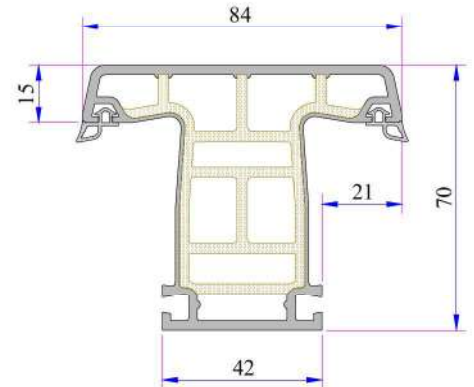
750 Penwood Sash Profile
Code: P.A.750.2000.600.2.BC.03



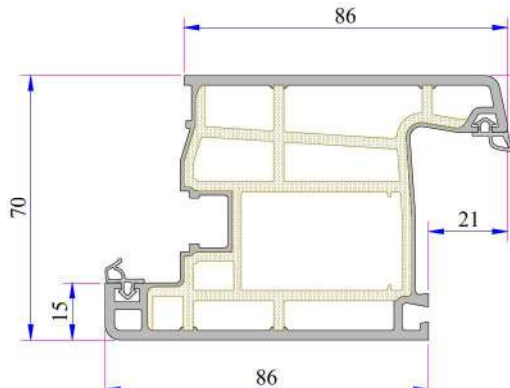
750 Penwood Offset Type Sash Profile
Code: P.A.750.2200.600.2.BC.03



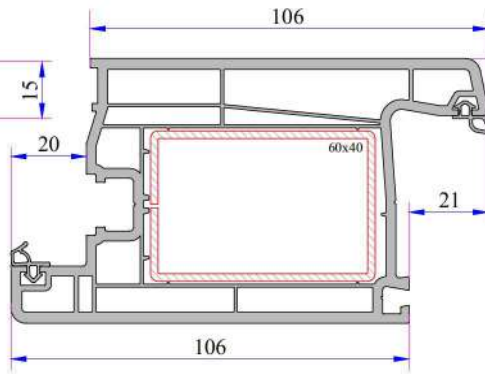
750 Penwood Glazing Sash Profile
Code: P.A.750.2001.600.2.BC.03



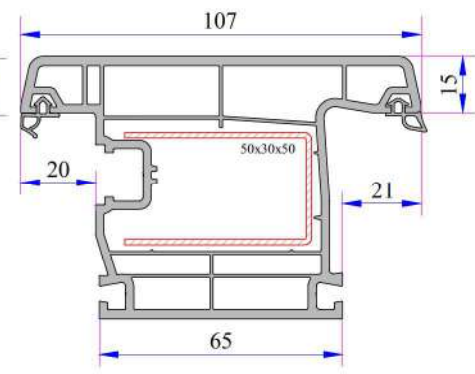
750 Penwood Mullion Profile
Code: P.A.750.3000.600.2.BC.03



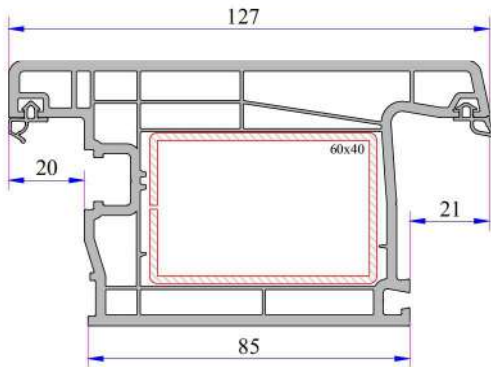
750 Penwood Door Sash Profile
Code: P.A.750.2100.600.2.BC.03



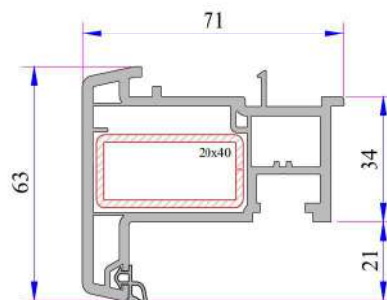
Super Door Sash Profile
Code: P.A.750.2103.600.0.BC.03



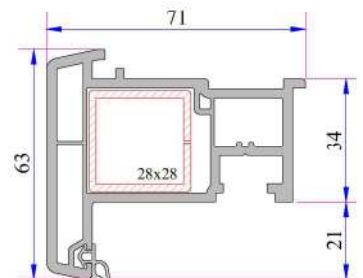
Outward Opening Door Sash Profile
Code: P.A.750.2101.600.0.BC.03



Outward Opening Super Door Sash Profile
Code: P.A.752.2104.600.0.BC.03

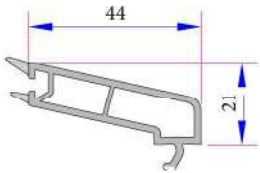


Static Lap Joint Profile (Spiked)
Code: P.A.750.3101.600.0.BC.19



Lap Joint Profile
Code: P.A.750.3100.600.0.BC.19

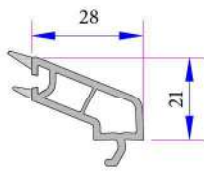
PENWOOD 750 SERIES PVC PROFILE SYSTEM



Single Glazing Bead 4-6 mm

Code:

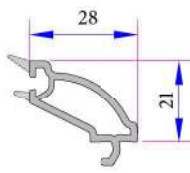
P.A.750.4000.600.0.HC



Double Glazing Bead 20 mm

Code:

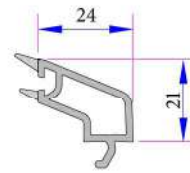
P.A.750.4100.600.0.HC



Dec. Double Glazing Bead 20 mm

Code:

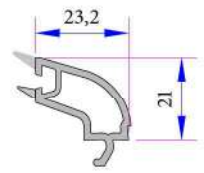
P.A.750.4102.600.0.HC



Double Glazing Bead 24 mm

Code:

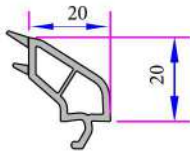
P.A.750.4200.600.0.HC



Dec. Glazing Bead 24 mm

Code:

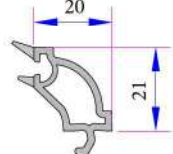
P.A.750.4204.600.0.HC



Double Glazing Bead 28 mm

Code:

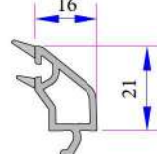
P.A.101.4100.600.0.HC



Dec. Double Glazing Bead 28 mm

Code:

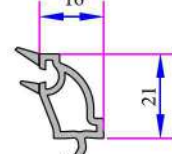
P.A.101.4102.600.0.HC



Triple Glazing Bead 32 mm

Code:

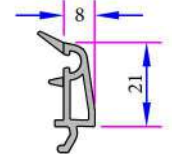
P.A.750.4500.600.0.HC



Dec. Triple Glazing Bead 32 mm

Code:

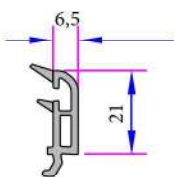
P.A.101.4202.600.0.HC



Triple Glazing Bead 40 mm

Code:

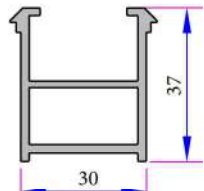
P.A.101.4500.600.0.HC



Triple Glazing Bead 42 mm

Code:

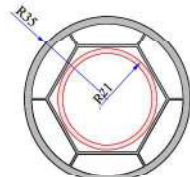
P.A.532.4500.600.0.HC



Frame Montage Profile

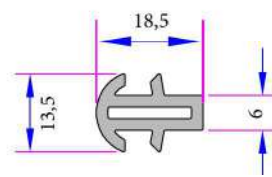
Code:

P.A.060.5301.600.0.00.19



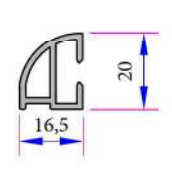
Pipe Profile

Code: P.A.070.5106.600



Coupling Profile

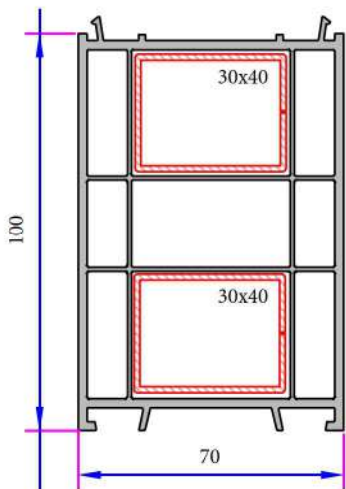
Code: P.A.099.5003.600



Offset Profile

Code:

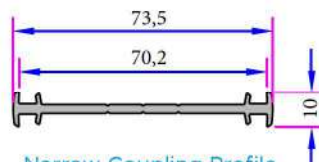
P.A.900.6307.600



Frame Lifting Profile 100 mm

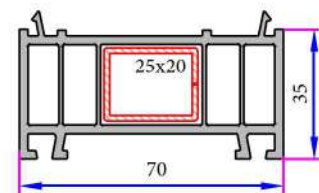
Code:

P.A.070.5302.600.0.00.19



Narrow Coupling Profile

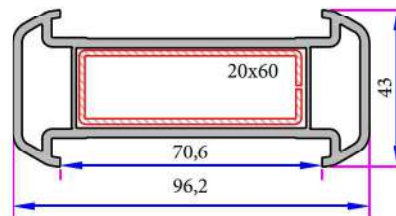
Code: P.A.070.5001.600



Frame Lifting Profile 35 mm

Code:

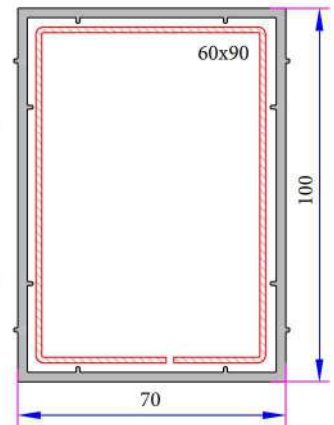
P.A.070.5300.600.0.00.19



Large Coupling Profile

Code:

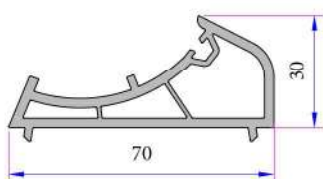
P.A.070.5000.600.0.00.19



70x100 mm Box Profile

Code:

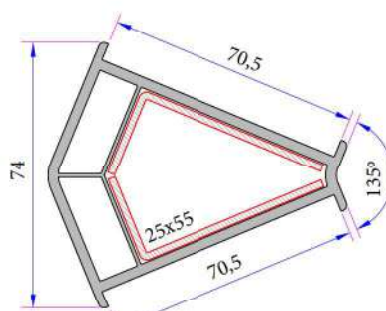
P.A.070.5202.600.0.00.19



Corner Lag Profile

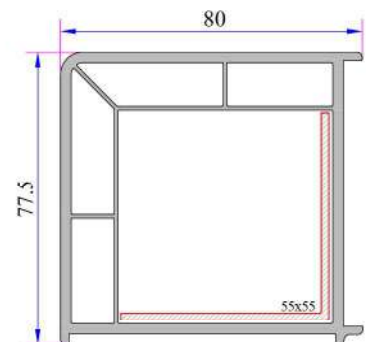
Code:

P.A.070.5104.600.0.00.19



135° Corner Profile

Code: P.A.070.5102.600.0.00.19

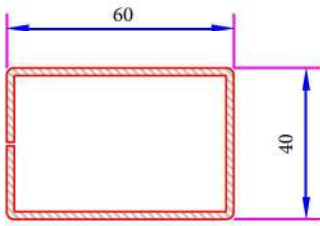


90° Corner Profile

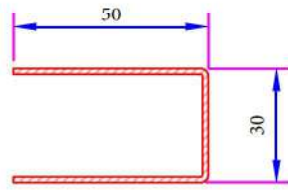
Code: P.A.070.5100.600.0.00.19

PENWOOD 750 SERIES PVC PROFILE SYSTEM

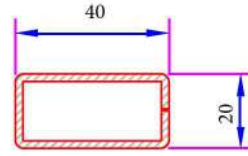
750 Penwood Re-Inforcement Profiles



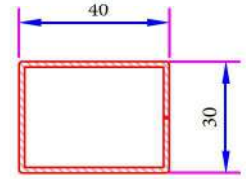
Outward Opening Super Door Sash Profile Reinforcement
Code: 34022 - 12110



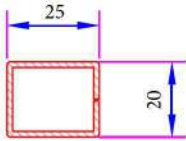
Outward Opening Door Sash Profile Reinforcement
Code: 34022 - 12013



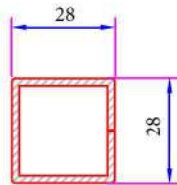
Lap Joint Frame Lifting Profile Reinforcement
Code: 34022 - 12114



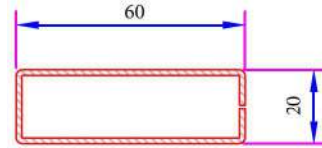
100mm Frame Lifting Reinforcement
Code: 34022-12120



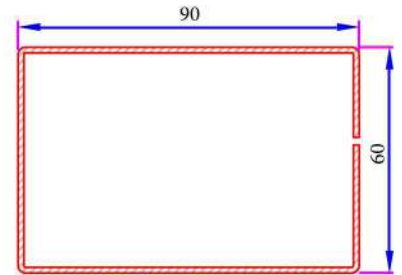
35mm Frame Lifting Reinforcement
Code: 34022 - 12104



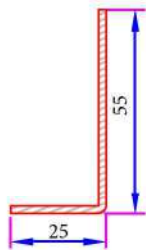
Lap Joint Prpfile Reinforcement
Code: 34022 - 12113



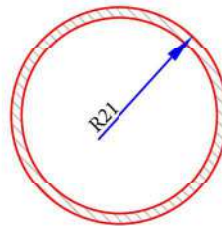
Large Coupling Profile Reinforcement
Code: 34022 - 12106



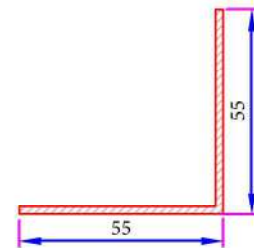
70x100 Box Profile Reinforcement
Code: 34022-12121



135° Corner Profile Reinforcement
Code: 34022 - 12303

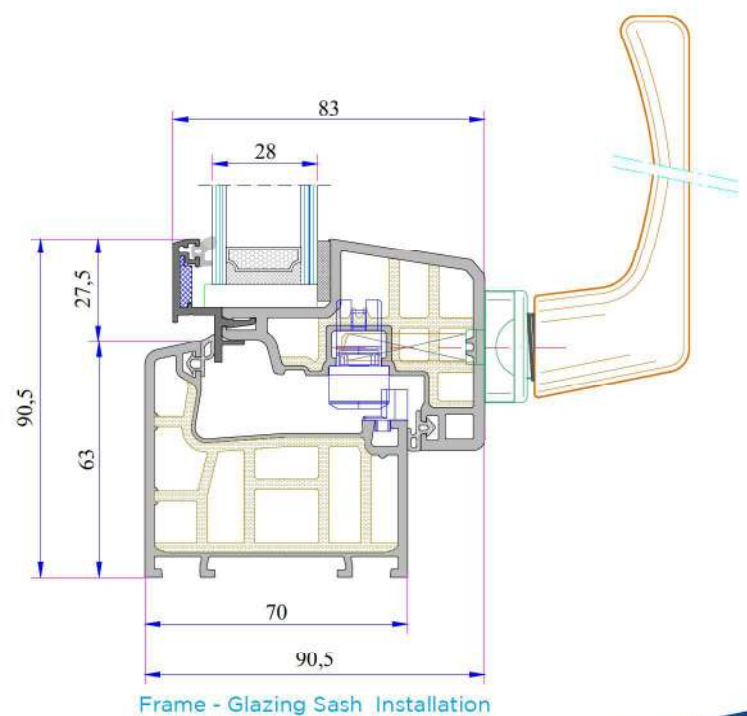
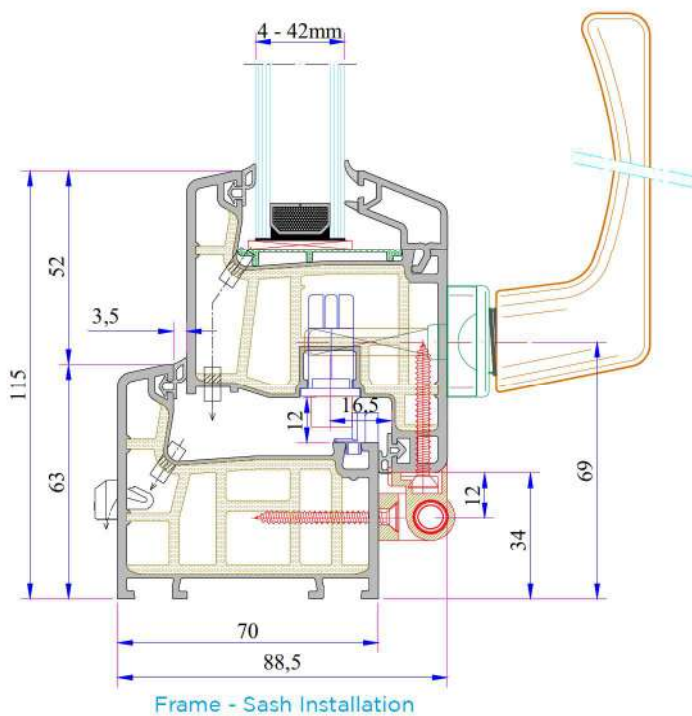


Pipe Profile Reinforcement
Code: 34022 - 12502

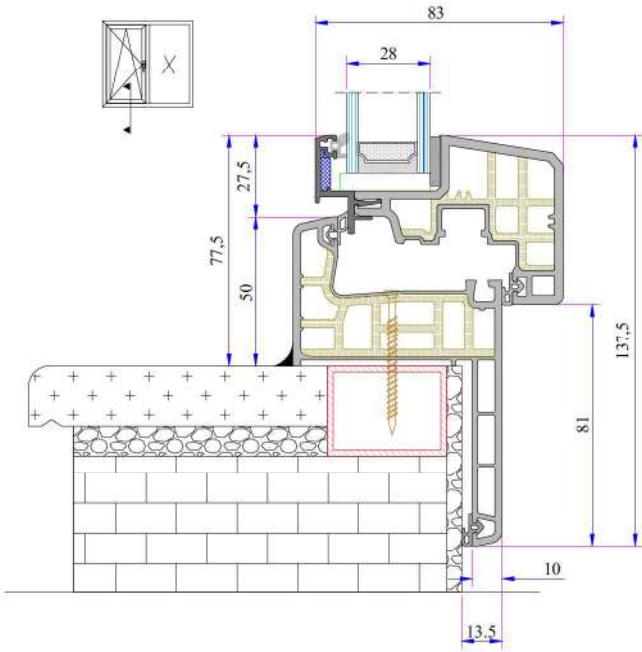


90° Corner Profile Reinforcement
Code: 34022 - 12305

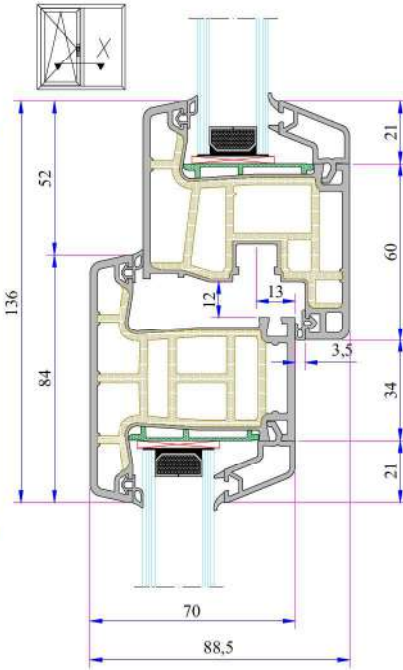
750 Penwood Installation



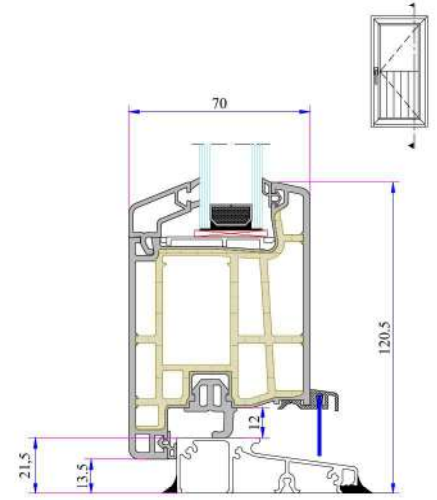
PENWOOD 750 SERIES PVC PROFILE SYSTEM



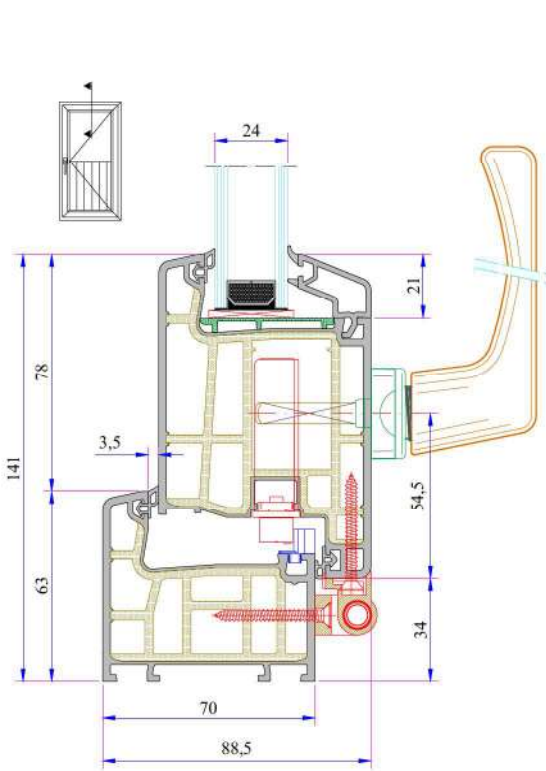
Frame With Sill - Glazing Sash Installation



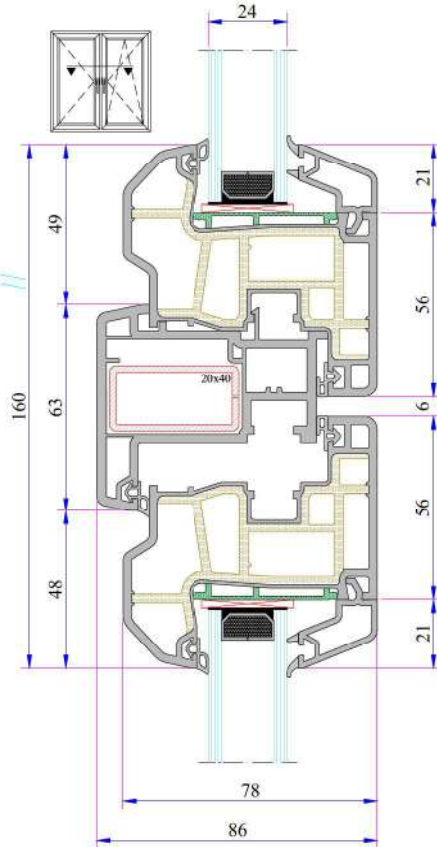
Mullion - Sash Installation



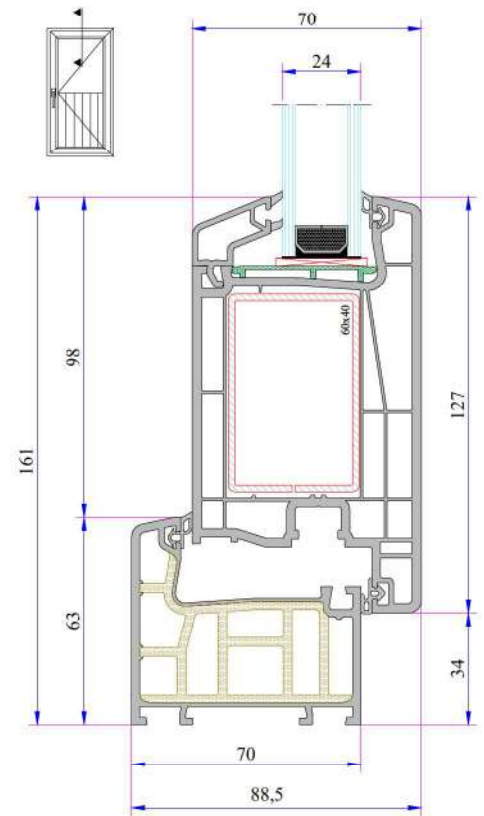
With Aluminium Threshold Frame Door Sash Installation



Frame - Door Sash Installation

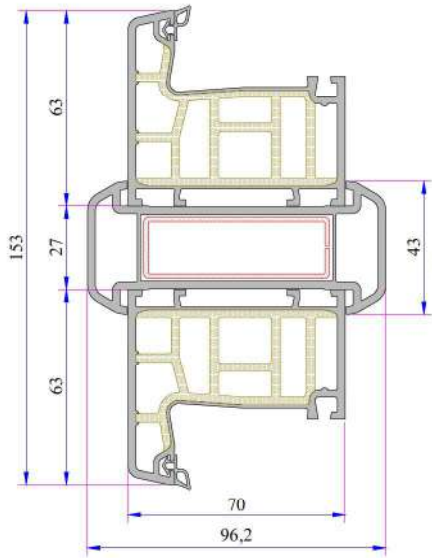


Offset Sash - Lap Joint Installation

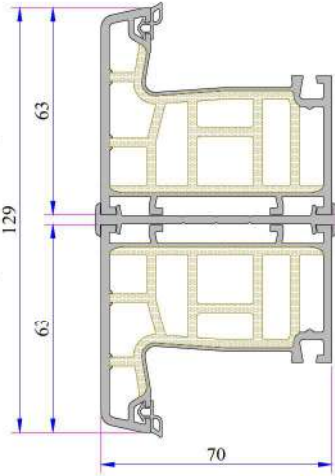


Outward Opening Super Door Sash - Frame Installation

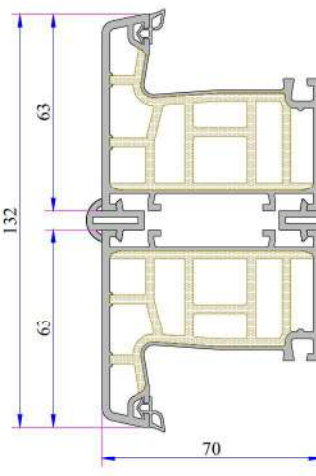
PENWOOD 750 SERIES PVC PROFILE SYSTEM



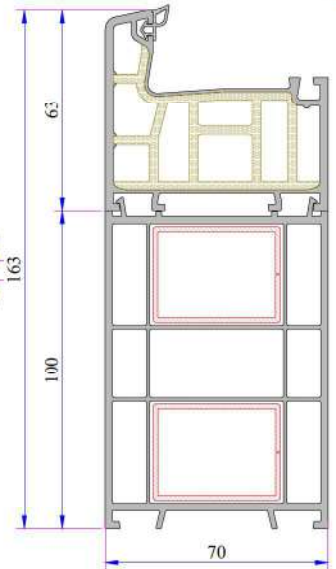
Large Coupling Profile Installation



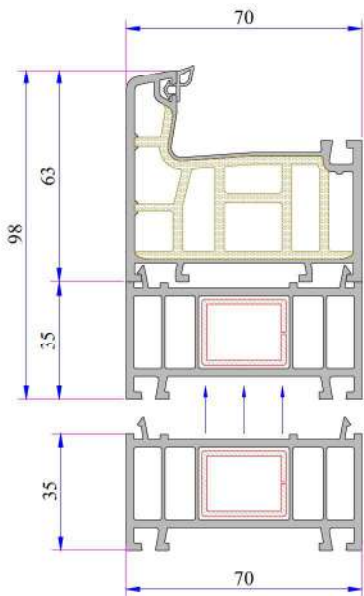
Narrow Coupling Profile Installation



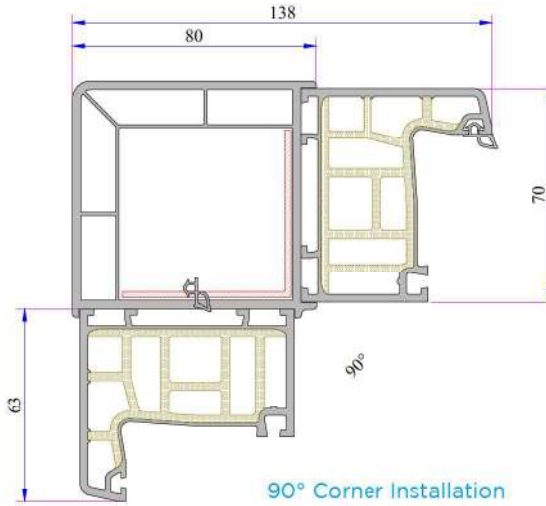
Short Coupling Installation



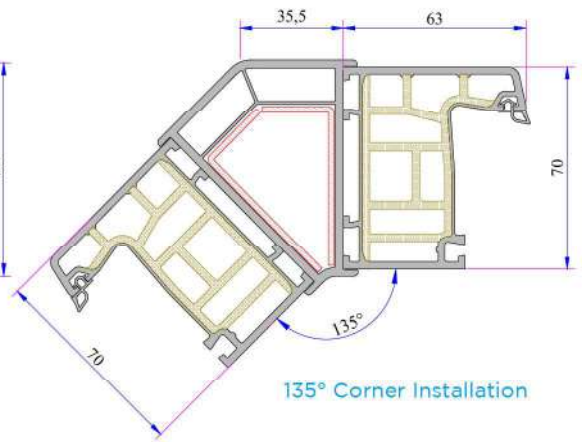
100 mm Frame Lifting Installation



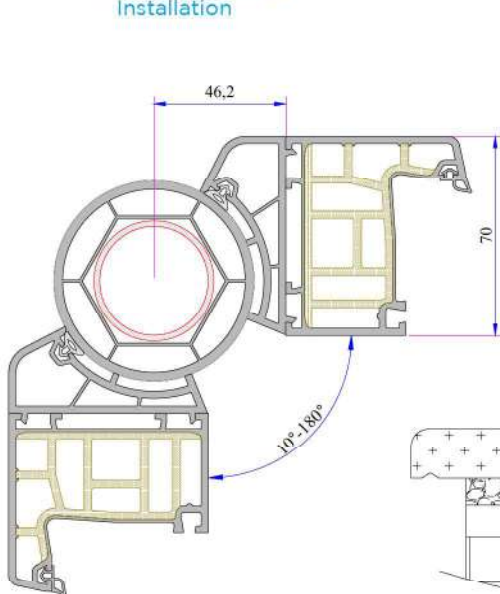
35 mm Frame Lifting Installation



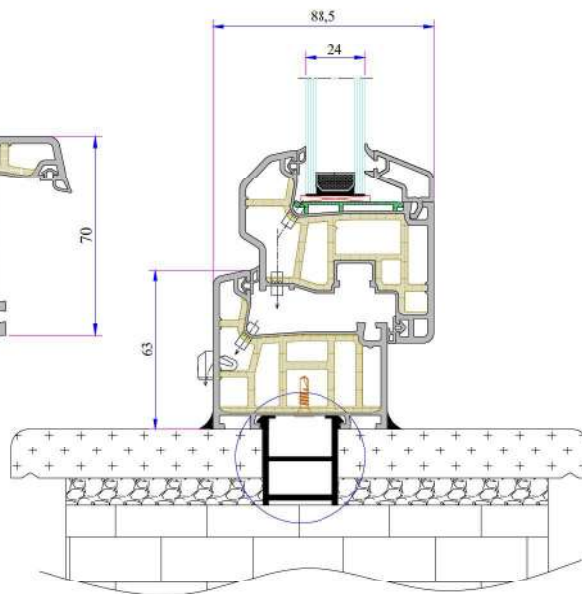
90° Corner Installation



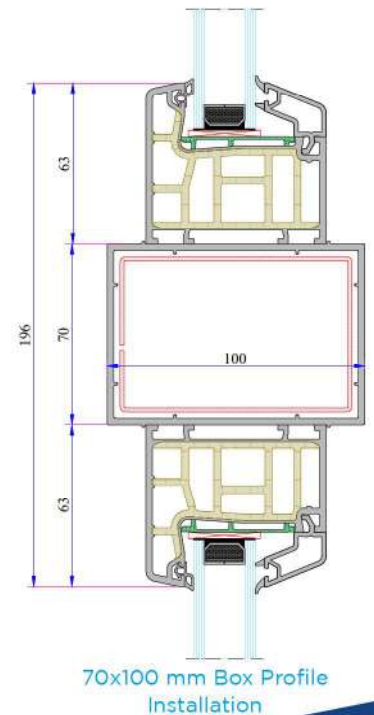
135° Corner Installation



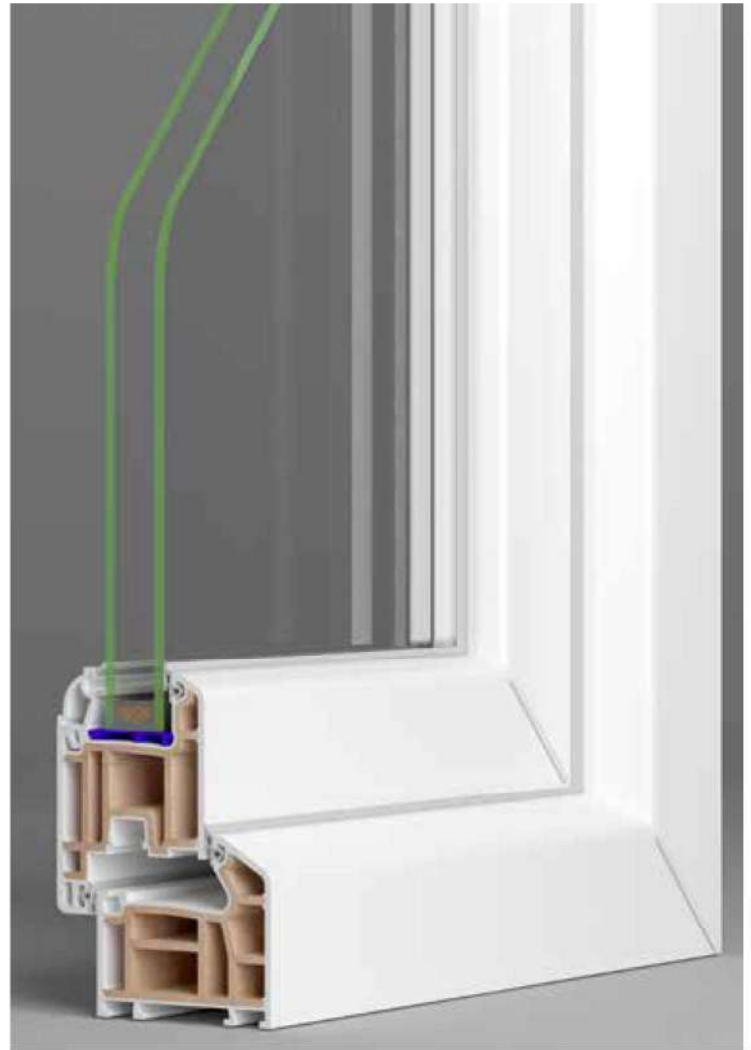
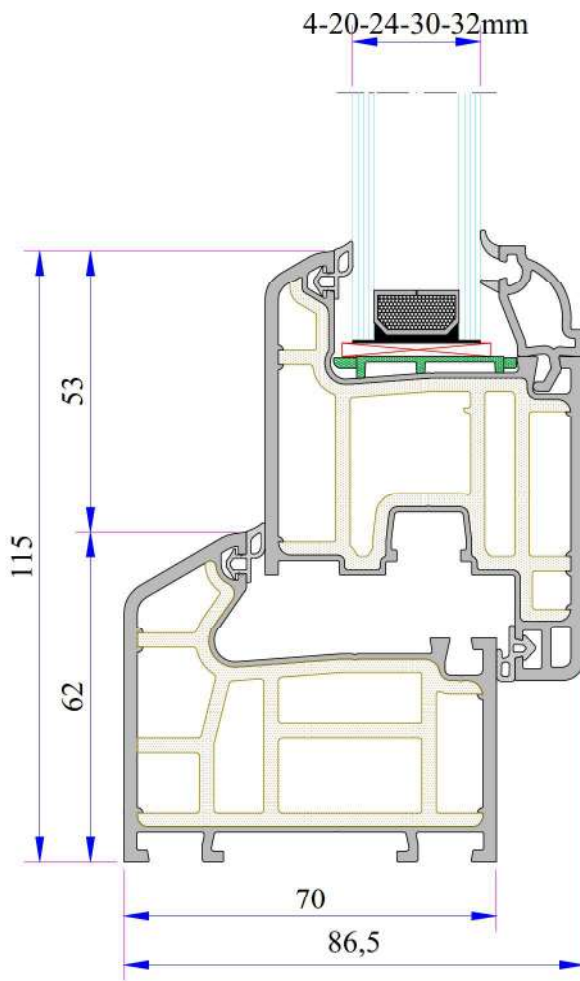
Corner Profile Installation



Frame Montage Profile Installation



70x100 mm Box Profile Installation



TECHNICAL

Penwood 760 SERIES

Profile Width: 70 mm

Number of chambers: 5 chambers system

Profile Class: B Class (TS EN 12608-1)

Seal Type: External / Internal double seal system

Seal Type and Color: TPE - Grey /Black

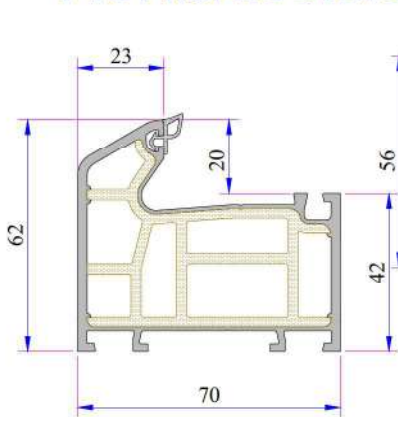
Glass Thickness (mm): 4, 20, 24, 30, 32 mm

The thermal insulation Uf: 1,26 W/m²K

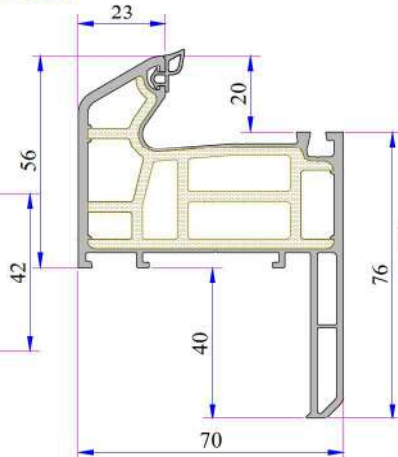
INSTRUCTION

- 70 mm frame and 60 mm sash profile system. Because of the composite profile extruded together, no need for extra metal reinforcement inside.
- No need for reinforcement cutting unit, screwing Unit and workman.
- Compared with metal reinforcement system profile Penwood systems have %30 more advantages with max heat-sound and water insulation.
- Just cut and weld. You do not need Metal Reinforcement and extra stock area for Metal Reinforcement.
- Possibility to install single 4-6 mm or double glazing 20, 24, 28, 32 mm with different thickness of glazing bead.
- It has water drainage channel, it can be directly drilled after cutting.
- Color range for laminated products.
- It's quality is accredited by national and international certificates.

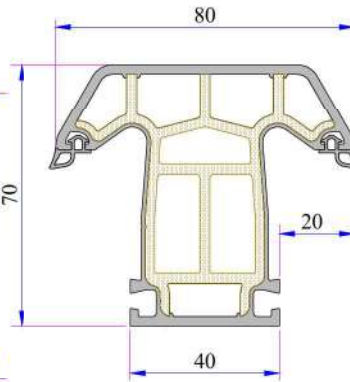
PENWOOD 760 SERIES PVC PROFILE SYSTEM



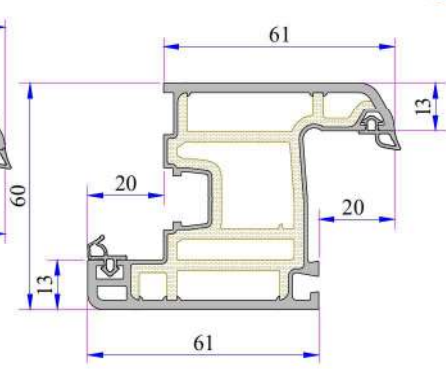
760 Penwood Frame Profile
Code:
P.A.706.1000.600.2.BC.03



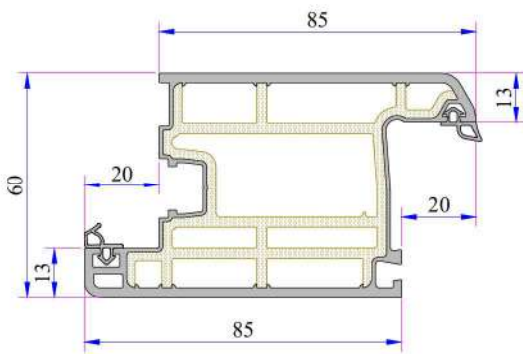
760 Penwood Frame Profile With Sill
Code:
P.A.706.1200.600.2.BC.03



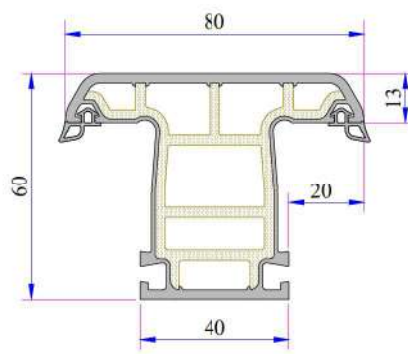
760 Penwood Mullion Profile
Code:
P.A.706.3000.600.2.BC.03



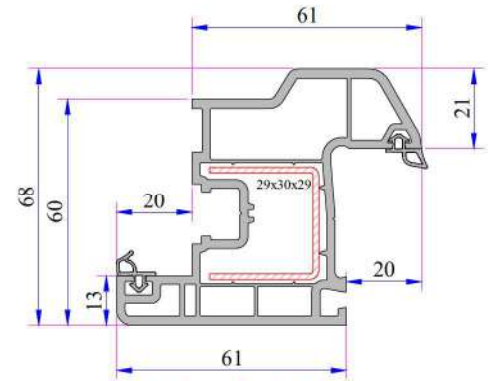
760 Penwood Sash Profile
Code:
P.A.632.2000.600.2.BC.03



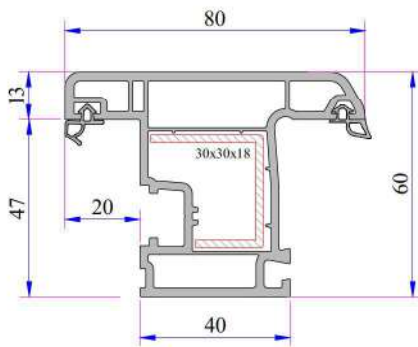
760 Penwood Door Sash Profile
Code: P.A.632.2100.600.2.03



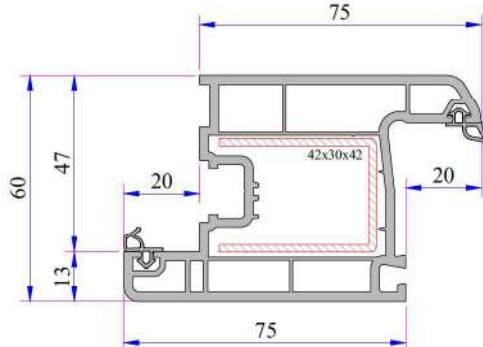
760 Penwood Mullion For Door Profile
Code:
P.A.632.3000.600.2.BC.03



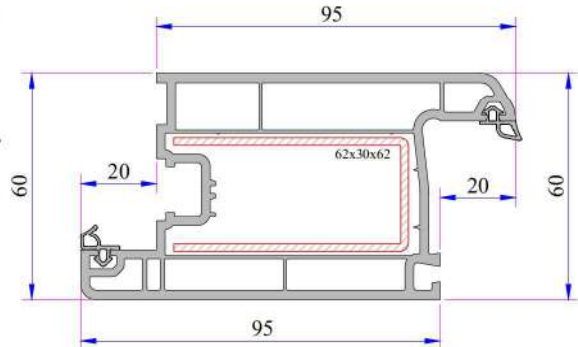
Offset Type Sash Profile
Code:
P.A.632.2200.600.0.BC.03



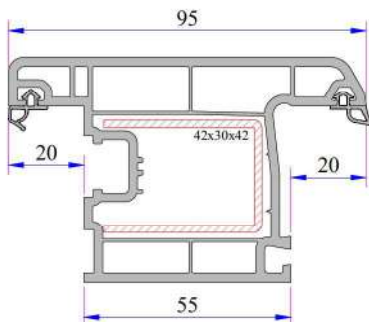
22 Axis. Outward Opening Sash Profile
Code:
P.A.632.2014.600.0.BC.03



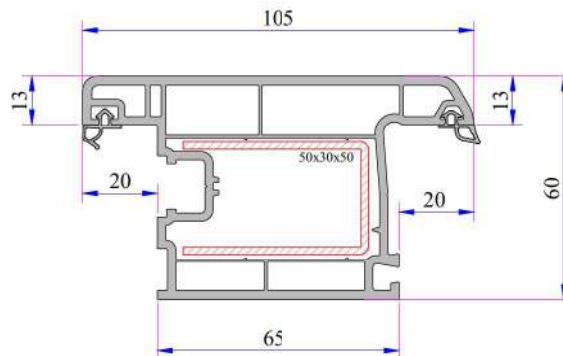
Eco Door Sash Profile
Code:
P.A.632.2107.600.0.BC.03



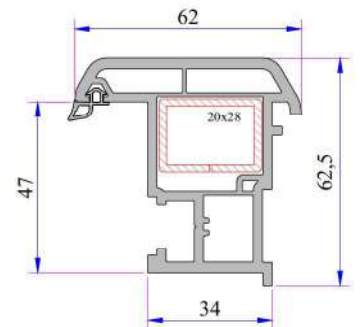
Super Door Sash Profile
Code:
P.A.632.2100.600.0.BC.03



Eco Outward Opening Door Sash Profile
Code:
P.A.632.2108.600.0.BC.03

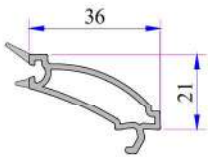


Outward Opening Super Door Sash Profile
Code:
P.A.632.2101.600.0.BC.03



Lap Joint Profile
Code:
P.A.632.3100.600.0.BC.19

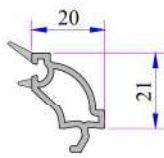
PENWOOD 760 SERIES PVC PROFILE SYSTEM



Single Glazing Bead 4-6 mm

Code:

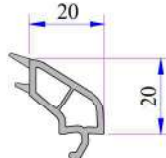
P.A.101.4002.600.0.HC



Dec. Double Glazing Bead 20 mm

Code:

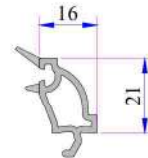
P.A.101.4102.600.0.HC



Double Glazing Bead 20 mm

Code:

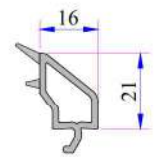
P.A.101.4100.600.0.HC



Dec. Double Glazing Bead 24 mm

Code:

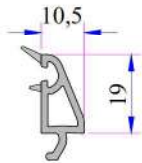
P.A.101.4202.600.0.HC



Double Glazing Bead 24 mm

Code:

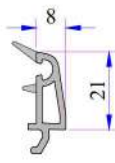
P.A.101.4200.600.0.HC



Triple Glazing Bead 30 mm

Code:

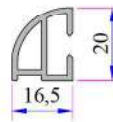
P.A.332.4100.600.0.HC



Triple Glazing Bead 32 mm

Code:

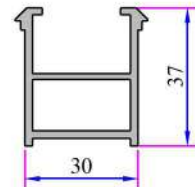
P.A.101.4500.600.0.HC



Offset Profile

Code:

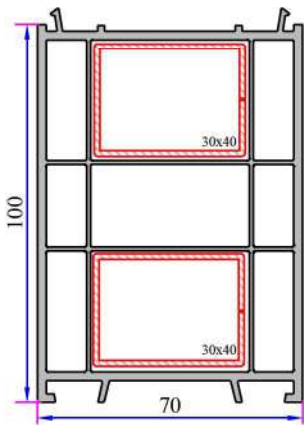
P.A.900.6307.600.HC



Frame Montage Profile

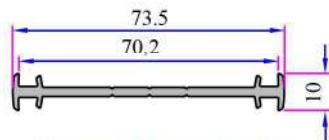
Code:

P.A.060.5301.600.0.00.19



Frame Lifting Profile

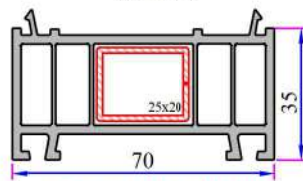
Code: P.A.070.5302.600.0.19



Narrow Coupling Profile

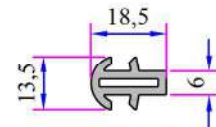
Code:

P.A.070.5001.600
(White)



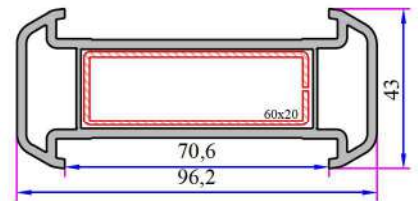
Frame Lifting Profile

Code: P.A.070.5300.600.0.00.19



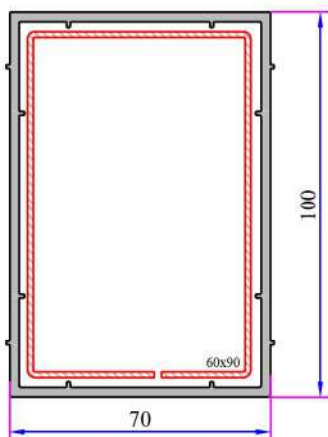
Coupling Profile

Code: P.A.099.5003.600



Large Coupling Profile

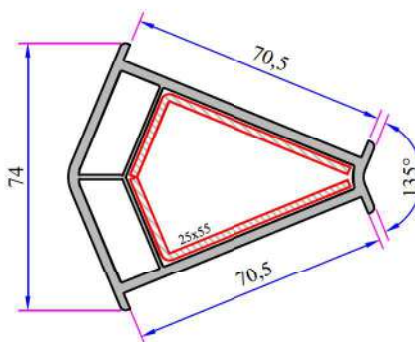
Code: P.A.070.5000.600.0.00.19



70x100 Box Profile

Code:

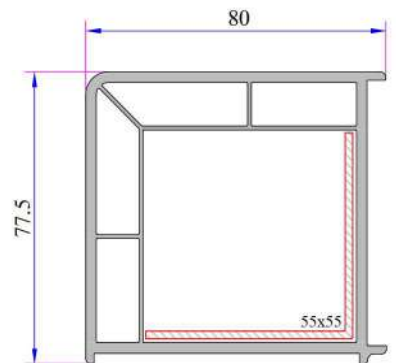
P.A.070.5202.600.0.00.19



135° Corner Profile

Code:

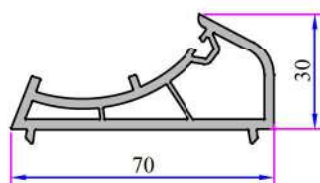
P.A.070.5102.600.0.00.19



90° Corner Profile

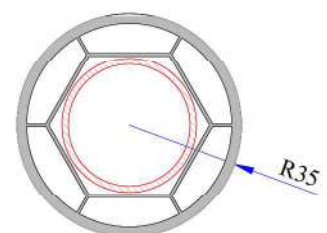
Code:

P.A.070.5100.600.0.00.19



Corner Lag Profile

Code: P.A.070.5104.600.0.00.19

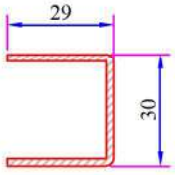


Pipe Profile

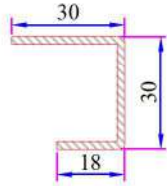
Code: P.A.070.5106.600

PENWOOD 760 SERIES PVC PROFILE SYSTEM

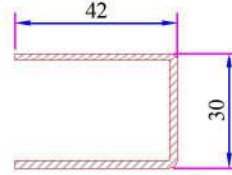
760 Penwood Re-Inforcement Profiles



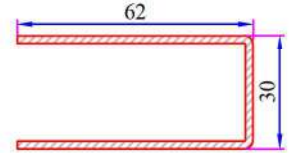
Offset Type Sash Profile Reinforcement
Code: 34022 - 12002



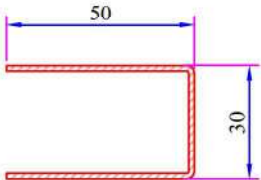
Outward Opening Sash Profile Reinforcement
Code: 34022 - 12022



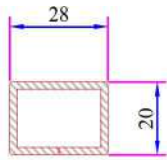
Eco Door Sash Outward Opening Profile Reinforcement
Code: 34022 - 12023



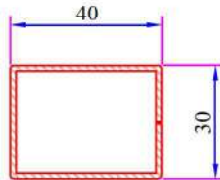
Super Door Sash Profile Reinforcement
Code: 34022 - 12029



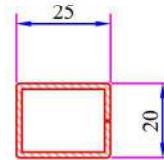
Outward Opening Door Sash Profile Reinforcement
Code: 34022 - 12013



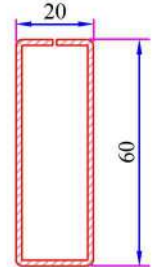
Lap Joint Profile Reinforcement
Code: 34022 - 12118



100 mm Frame Lifting Profile Reinforcement
Code: 34022-12120



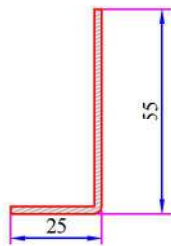
35 mm Frame Lifting Profile Reinforcement
Code: 34022 - 12104



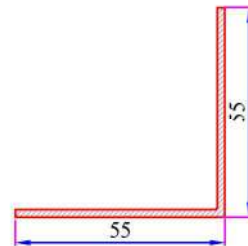
Large Coupling Profile Reinforcement
Code: 34022 - 12106



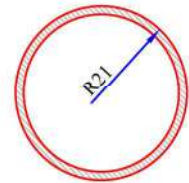
70x100 mm Box Profile Reinforcement
Code: 34022-12121



135° Corner Profile
Code: 34022 - 12303

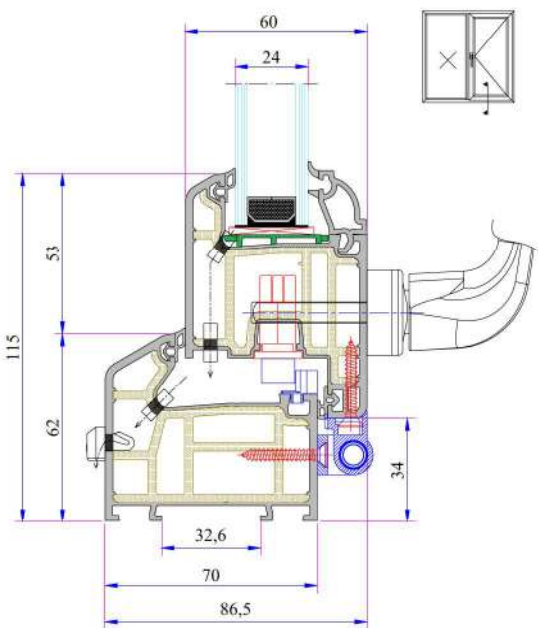


90° Corner Profile Reinforcement
Code: 34022 - 12305

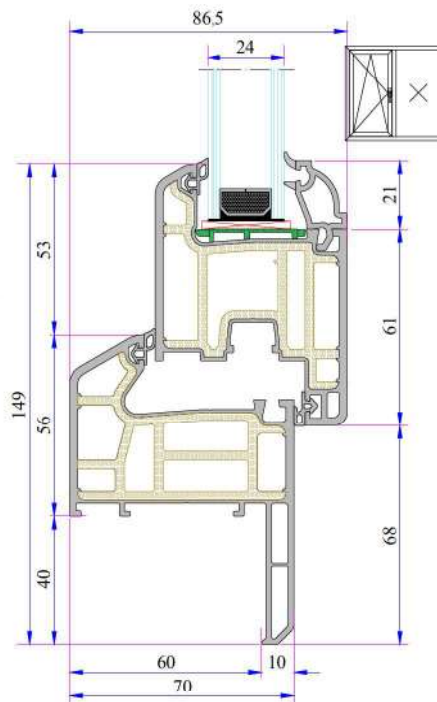


Pipe Profile Reinforcement
Code: 34022 - 12502

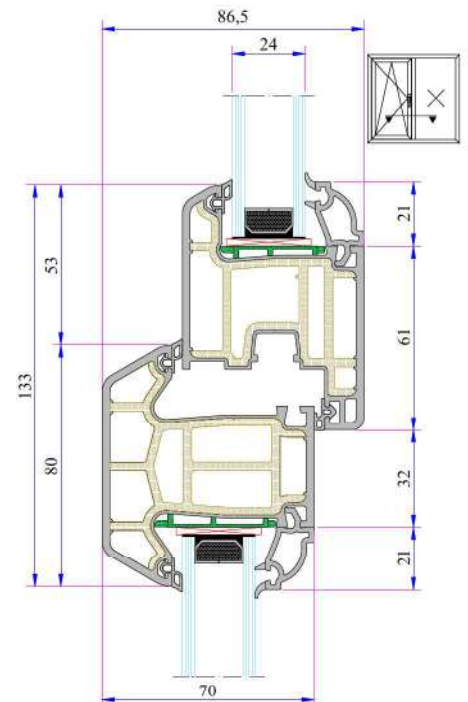
760 Penwood Installation



Frame - Sash Installation

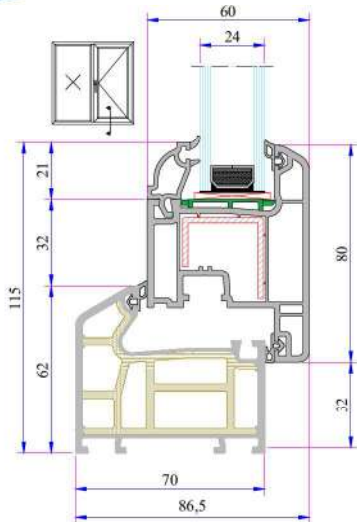


Frame With Sill and Sash

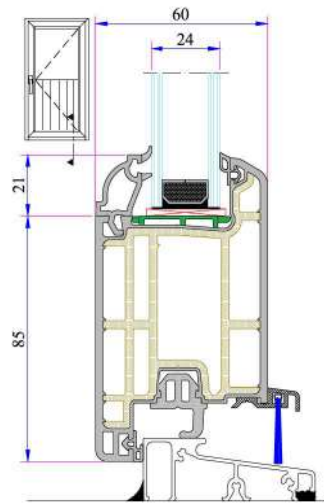


Mullion - Sash Installation

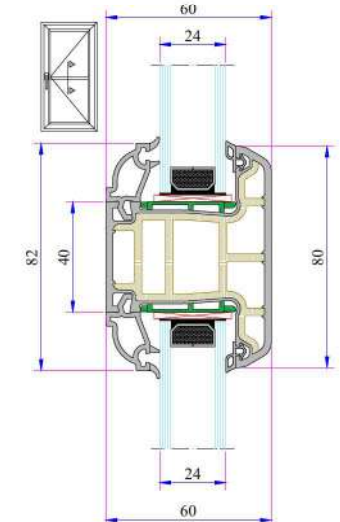
PENWOOD 760 SERIES PVC PROFILE SYSTEM



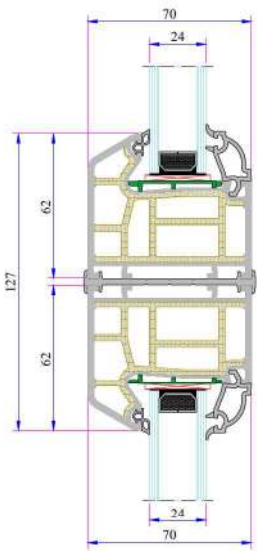
Frame - Outward Opening Sash Installation



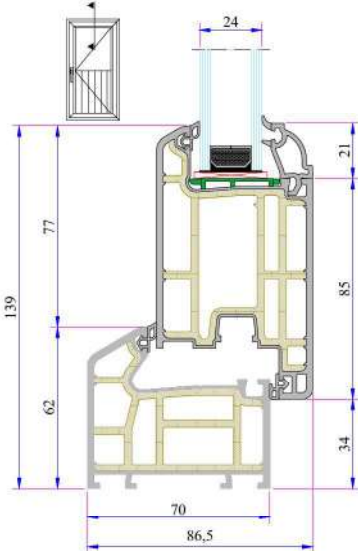
With Aluminium Threshold Frame - Door Sash Installation



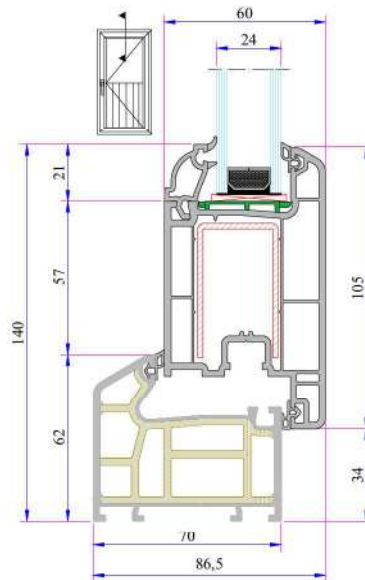
Door Sash - Mullion Installation



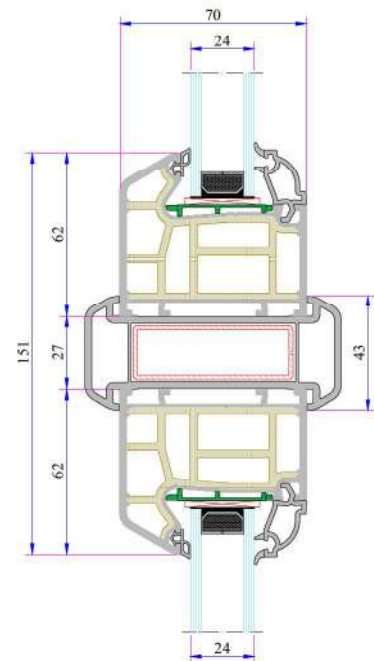
Narrow Coupling Profile Installation



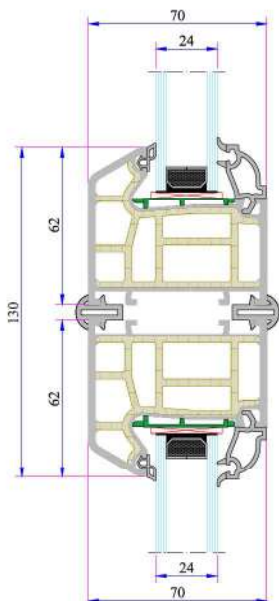
Frame - Door Sash Installation



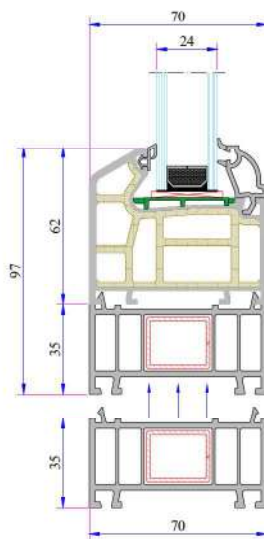
Frame - Outward Opening Door Sash Installation



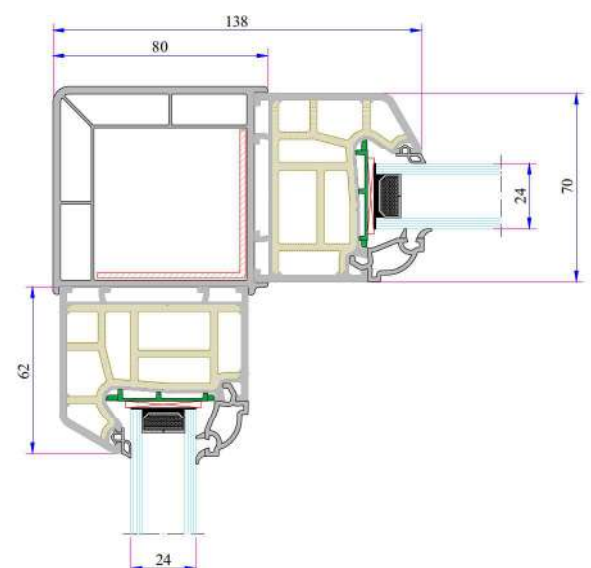
Large Coupling Profile Installation



Short Coupling Profile Installation

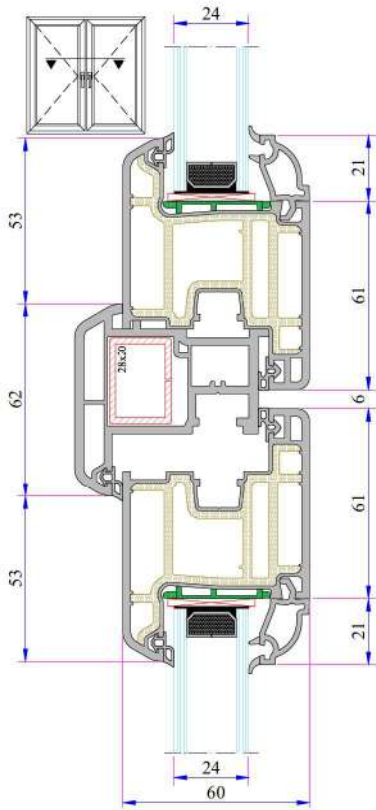


35 mm Frame Lifting Profile

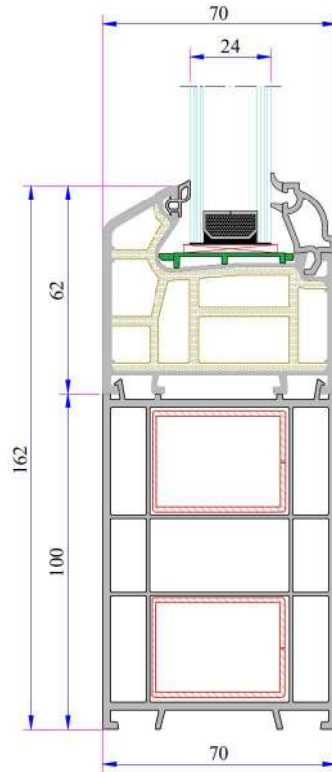


90° Corner Installation

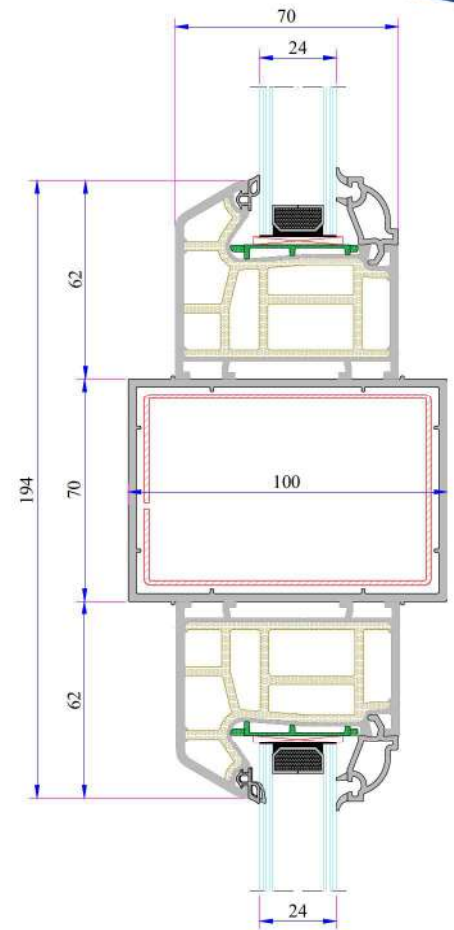
PENWOOD 760 SERIES PVC PROFILE SYSTEM



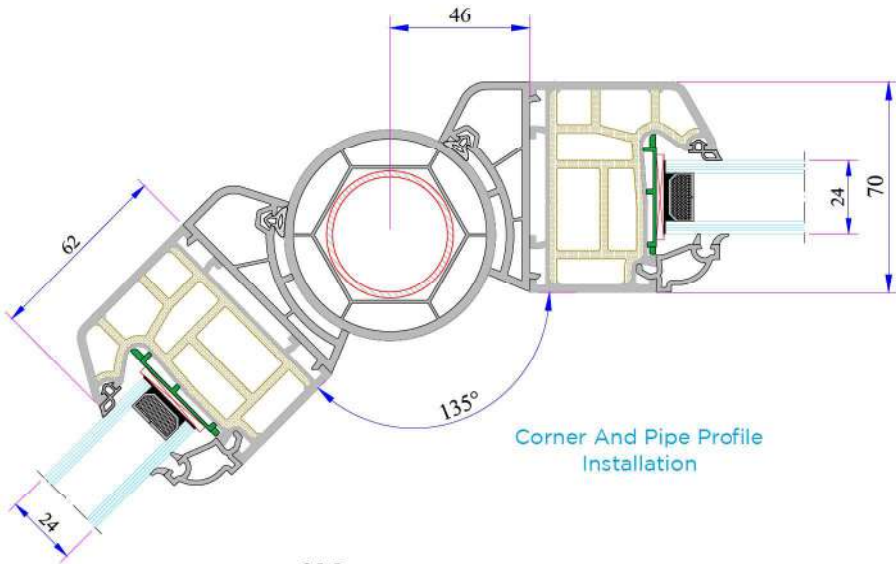
Sash - Lap Joint And Sash Installation



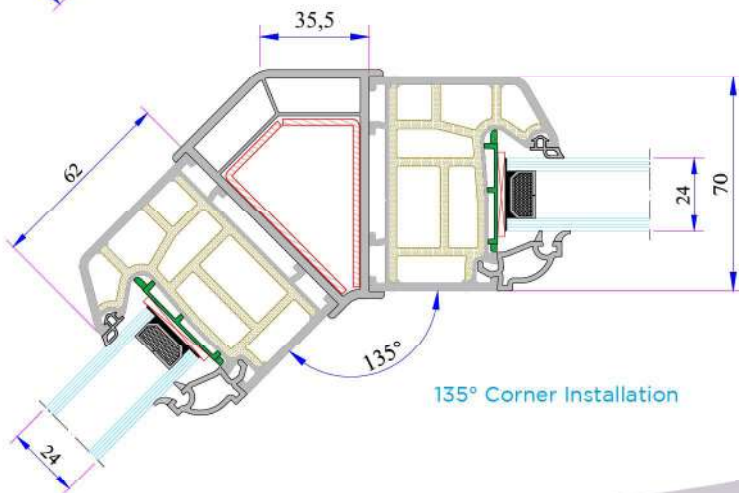
100 mm Frame Lifting Profile Installation



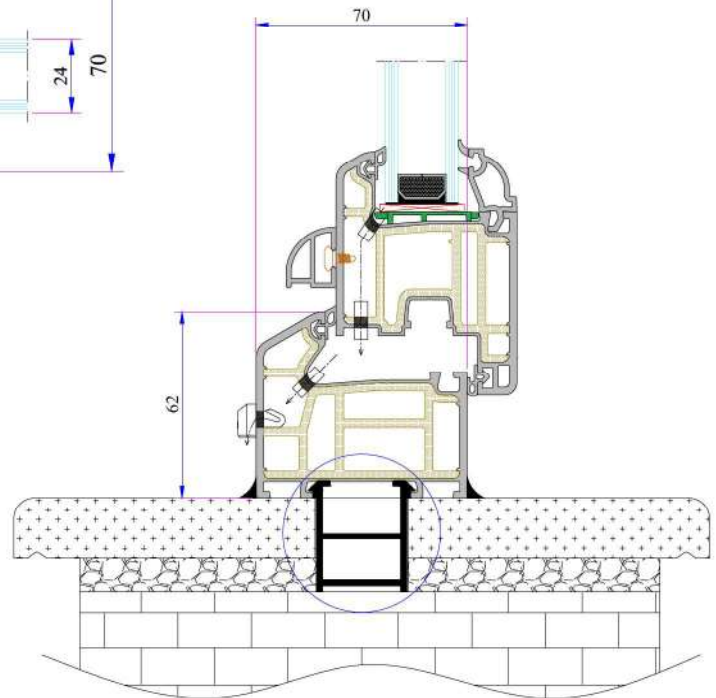
Box Profile Installation



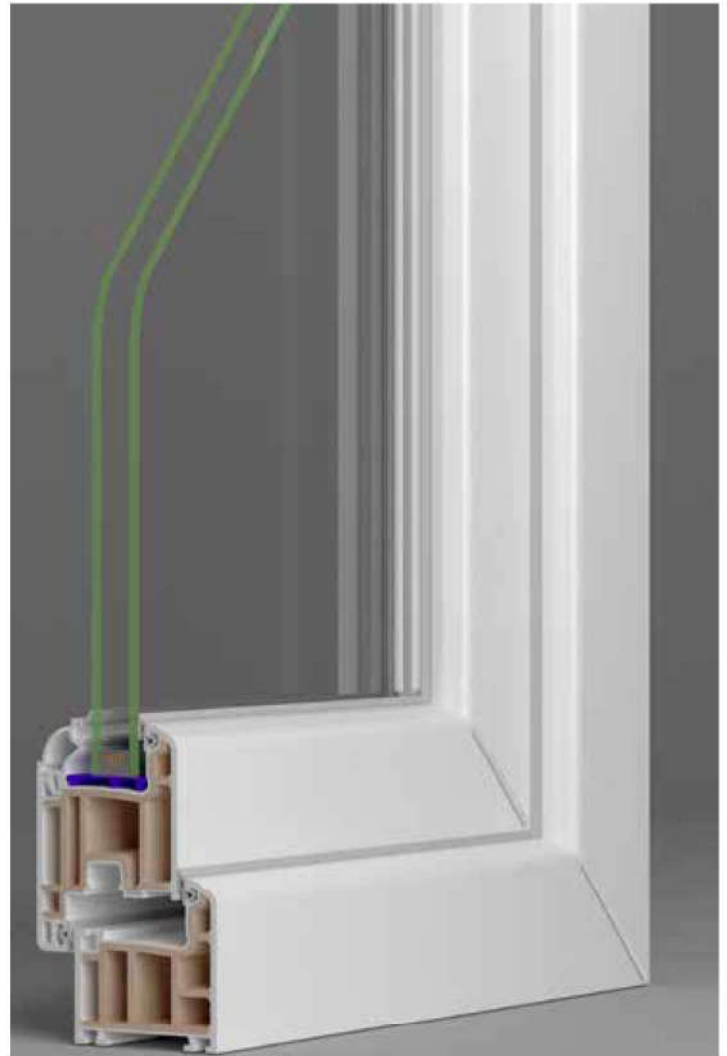
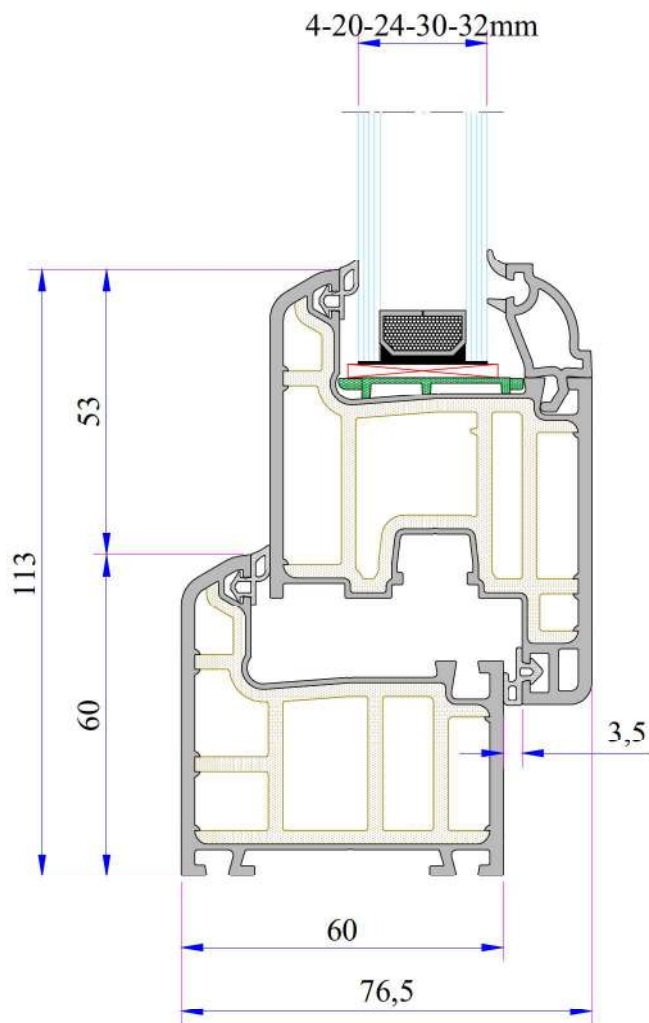
Corner And Pipe Profile Installation



135° Corner Installation



Offset Profile and Frame Montage Profile Installation



TECHNICAL

Penwood 632 SERIES

Profile Width: 60 mm

Number of chambers: 4 chambers system

Profile Class: B Class (TS EN 12608-1)

Seal Type: External / Internal double seal system

Seal Type and Color: TPE - Grey /Black

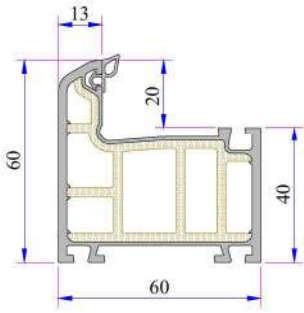
Glass Thickness (mm): 4, 20, 24, 30, 32 mm

The thermal insulation Uf: 1,30 W/m²K

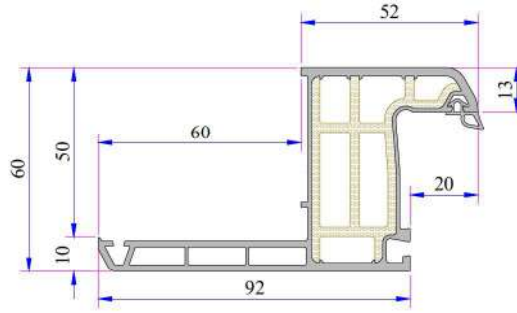
INSTRUCTION

- 60 mm profile system. Because of the composite profile extruded together, no need for extra metal reinforcement inside.
- No need for reinforcement cutting units screwing unit and workman.
- Compared with metal reinforcement system profile Penwood systems have %30 more advantage with max heat - sound and water insulation.
- Just cut and weld. You do not need Metal Reinforcement and extra stock area for Metal Reinforcement.
- Possibility to install single 4-6 mm or double glazing 20, 24, 32 mm with different thickness of grey glazing bead.
- It has water drainage channel, it can be directly drilled after cutting.
- Color range for laminated products.
- It's quality is accredited by international certificate.

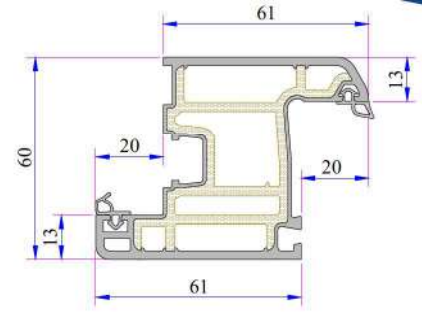
PENWOOD 632 SERIES PVC PROFILE SYSTEM



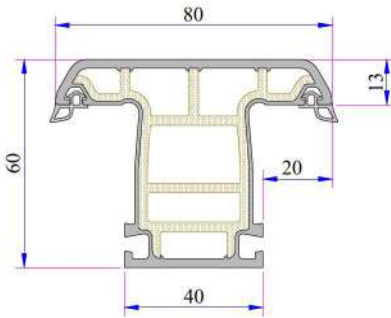
632 Penwood Frame Profile
Code: P.A.632.1000.600.2.BC.03



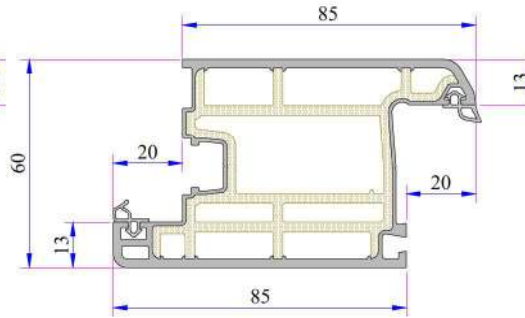
632 Penwood Frame Profile With Sill
Code: P.A.632.1200.600.2.BC.03



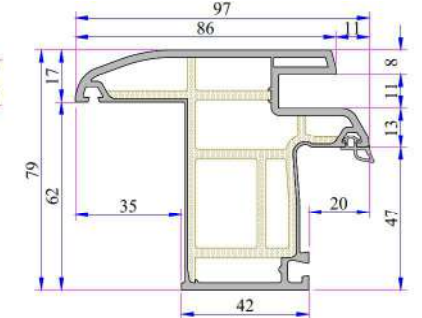
632 Penwood Sash Profile
Code: P.A.632.2000.600.2.BC.03



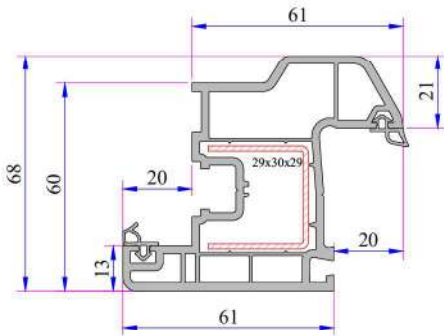
632 Penwood Mullion Profile
Code: P.A.632.3000.600.2.BC.03



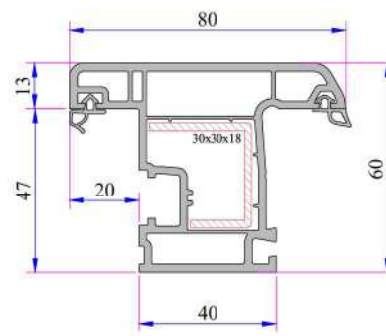
632 Penwood Door Sash Profile
Code: P.A.632.2100.600.2.BC.03



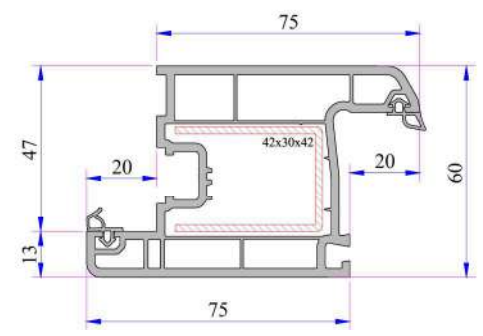
632 Penwood Shutter Rail Frame Profile
Code: P.A.632.1206.600.2.BC.03



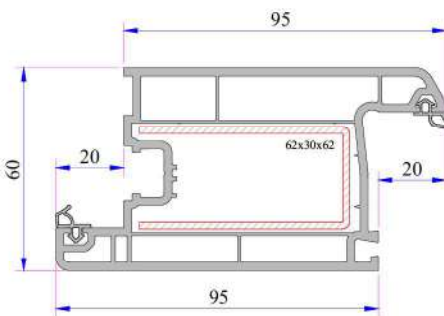
Offset Type Sash Profile Installation
Code: P.A.632.2200.600.0.BC.03



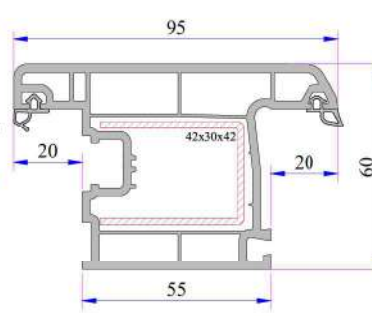
Outward Opening Sash Profile
Code: P.A.632.2014.600.0.BC.03



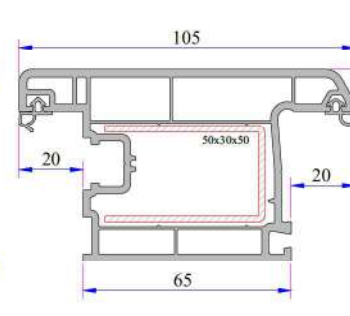
Eco Door Sash Profile
Code: P.A.632.2107.600.0.BC.03



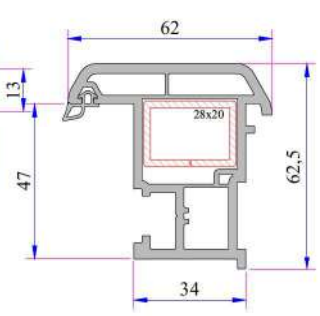
Door Sash Profile
Code:
P.A.632.2100.600.0.BC.03



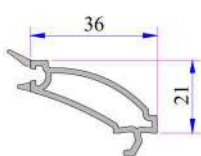
Eco Outward Opening Door Sash Profile
Code:
P.A.632.2108.600.0.BC.03



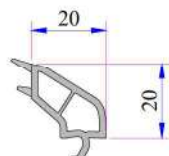
Outward Opening Door Sash Profile
Code:
P.A.632.2101.600.0.BC.03



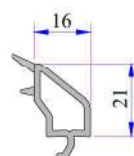
Lap Joint Profile
Code:
P.A.632.3100.600.0.BC.19



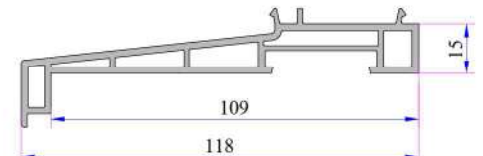
Single Glazing Bead 4-6 mm
Code:
P.A.101.4002.600.0.HC



Double Glazing Bead 20 mm
Code:
P.A.101.4100.600.0.HC

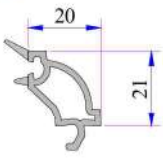


Double Glazing Bead 24 mm
Code:
P.A.750.4500.600.0.HC

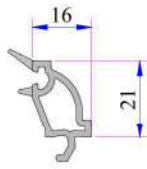


Sill Profile
Code: P.A.058.5504.600.0.00.19

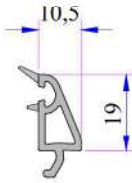
PENWOOD 632 SERIES PVC PROFILE SYSTEM



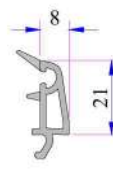
DEC. Double Glazing Bead 20 mm
Code: P.A.101.4102.600.0.HC



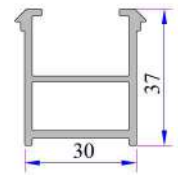
DEC. Double Glazing Bead 24 mm
Code: P.A.101.4202.600.0.HC



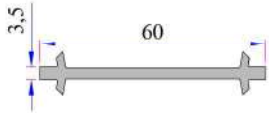
Triple Glazing Bead 30 mm
Code: P.A.332.4100.600.0.HC



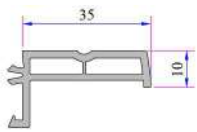
Triple Glazing Bead 32 mm
Code: P.A.101.4500.600.0.HC



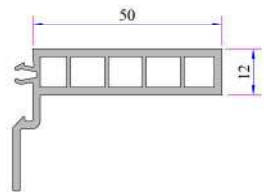
Frame Montage Profile
Code: P.A.060.5301.600.0.00.19



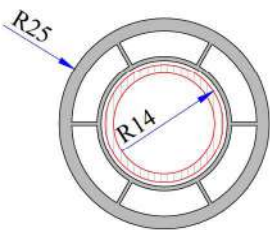
Coupling Profile
Code: P.A.060.5001.600



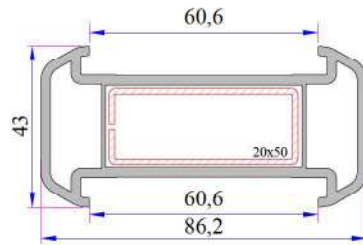
Frame Sill Profile (35mm)
Code: P.A.099.5523.600



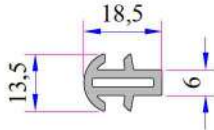
Frame Sill Profile (50mm)
Code: P.A.099.5524.600



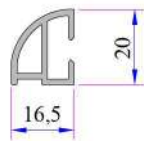
Angle Pipe Profile
Code: P.A.050.5106.600



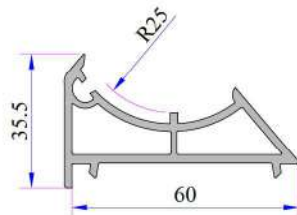
Large Coupling Profile
Code: P.A.060.5000.600.0.00.19



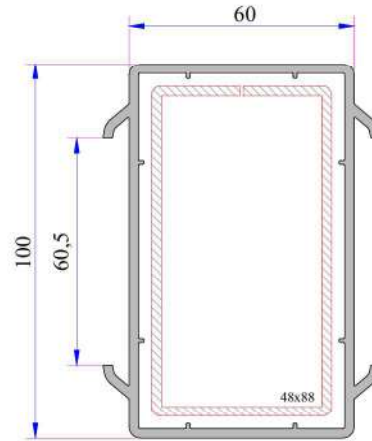
Coupling Profile
Code: P.A.099.5003.600



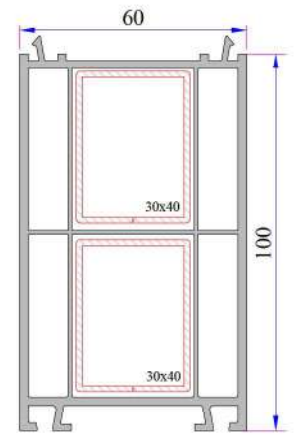
Offset Profile
Code: P.A.900.6307.600



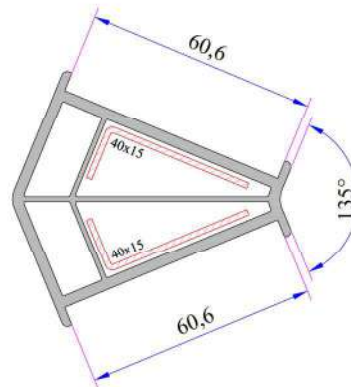
Angle Pipe Adaptor Profile
Code: P.A.060.5104.600.0.00.19



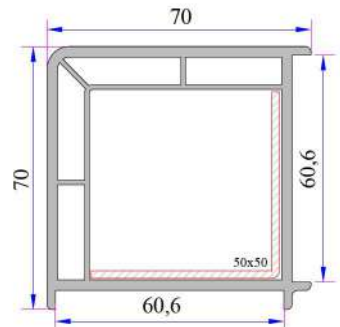
60x100 Spiked Box Profile
Code: P.A.060.5203.600.0.00.19



60x100 Frame Lifting Profile
Code: P.A.900.5303.600.0.00.19



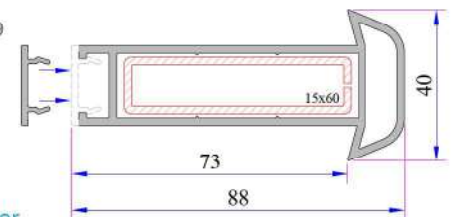
135° Corner Profile
Code: P.A.060.5102.600.0.00.19



90° Corner Profile
Code: P.A.060.5100.600.0.00.19

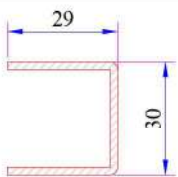


Universal Large Coupling Cover Profile
Code: P.A.058.5707.600.0.00.19

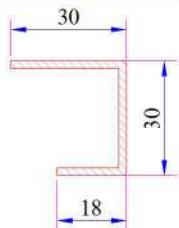


Universal Large Coupling Profile
Code: P.A.058.5000.6001.0.00.19

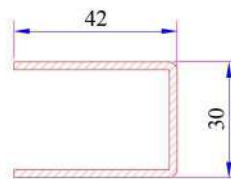
632 Penwood Re-Inforcement Profiles



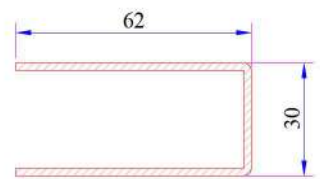
Offset Type Sash Profile Reinforcement
Code: 34022-12002



Outward Opening Sash Profile Reinforcement
Code: 34022 - 12022

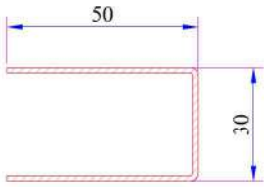


Eco Door Sash Outward Opening Profile Reinforcement
Code: 34022-12023

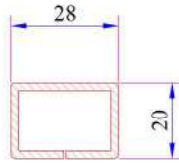


Super Door Sash Profile Reinforcement
Code: 34022 - 12029

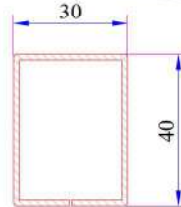
PENWOOD 632 SERIES PVC PROFILE SYSTEM



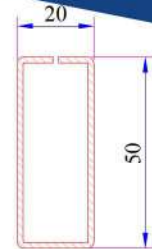
Outward Opening Door Sash Profile Reinforcement
Code: 34022-12013



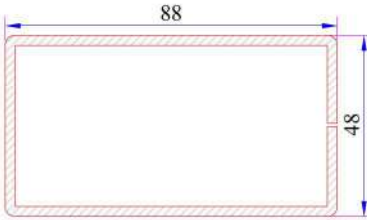
Lap Joint Profile Reinforcement
Code: 34022-12118



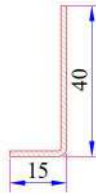
100 mm Frame Lifting Profile Reinforcement
Code: 34022-12120



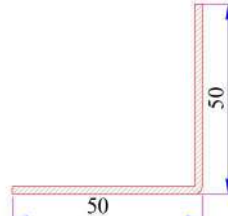
Large Coupling Profile Reinforcement
Code: 34022-12105



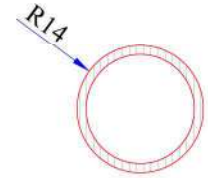
70x100 mm Box Profile Reinforcement
Code: 34022-12102



135° Corner Profile Reinforcement
Code: 34022-12301

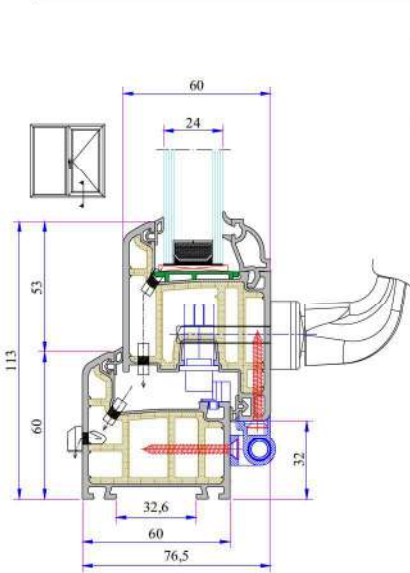


90° Corner Profile Reinforcement
Code: 34022-12302

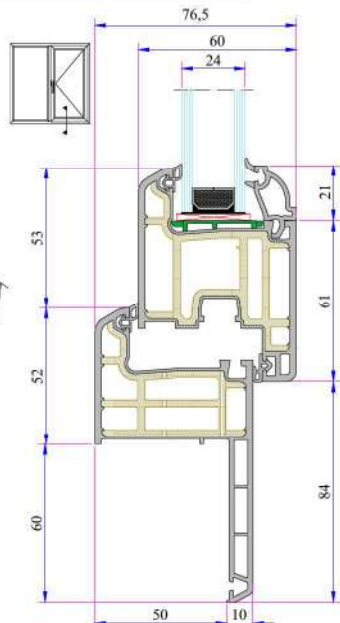


Pipe Profile Reinforcement
Code: 34022-12503

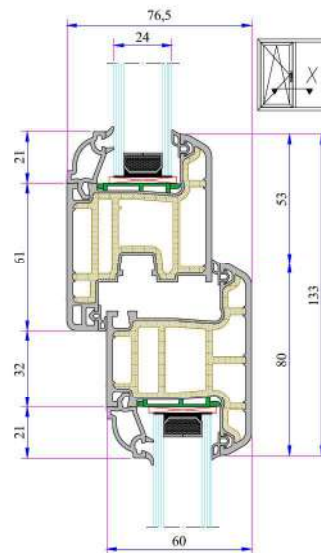
632 Penwood Installation



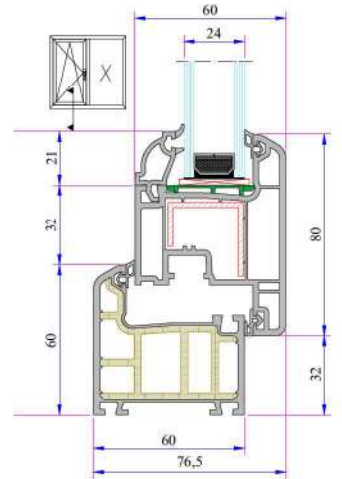
Frame-Sash Installation



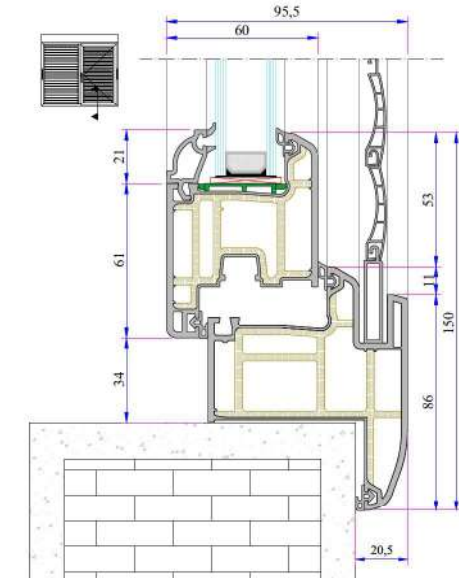
Frame profile with Sill- Sash Installation



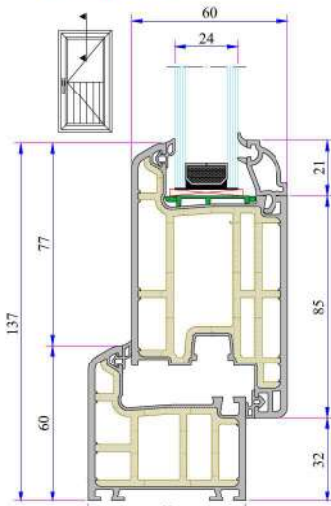
Mullion Sash Profile Installation



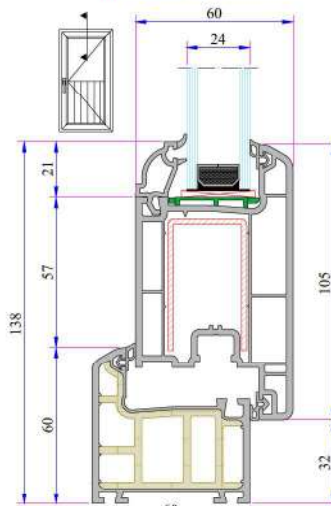
Frame - Outward Opening Sash Installation



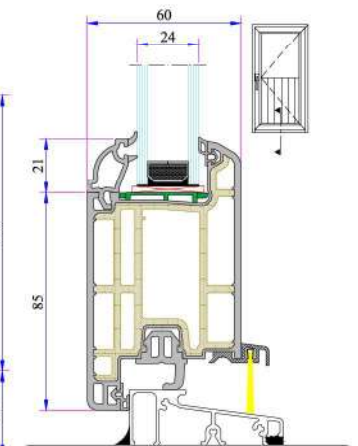
Shutter Rail Frame - Sash Installation



Frame Door Sash Installation

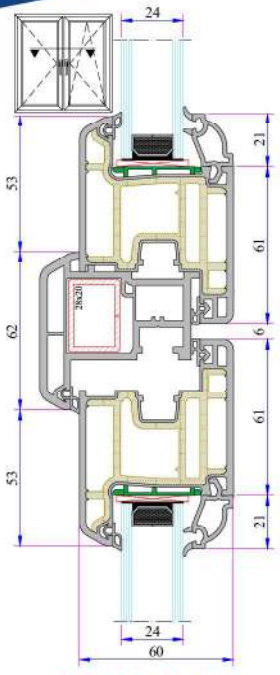


Frame -Outward Opening Door Sash Installation

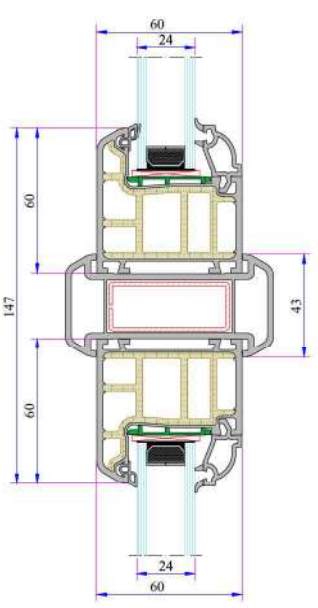


Frame with Aluminium Threshold - Door Sash Installation

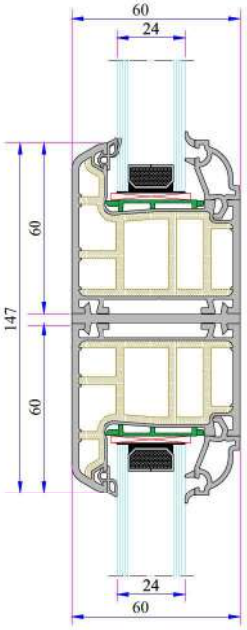
PENWOOD 632 SERIES PVC PROFILE SYSTEM



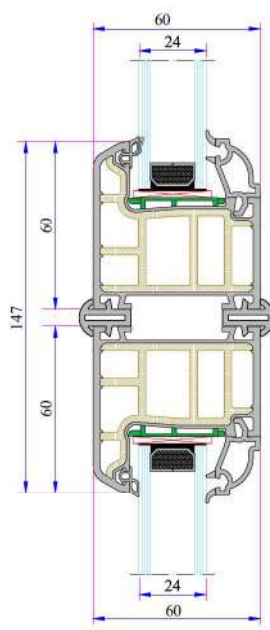
Sash - Lap Joint Installation



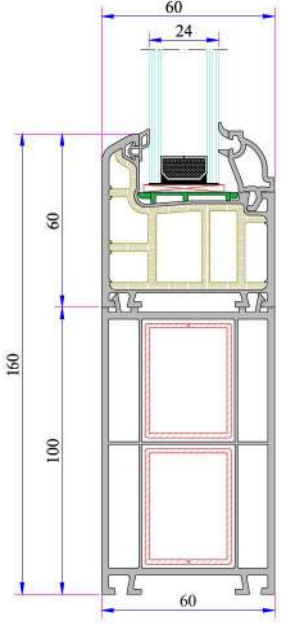
Large Coupling Installation



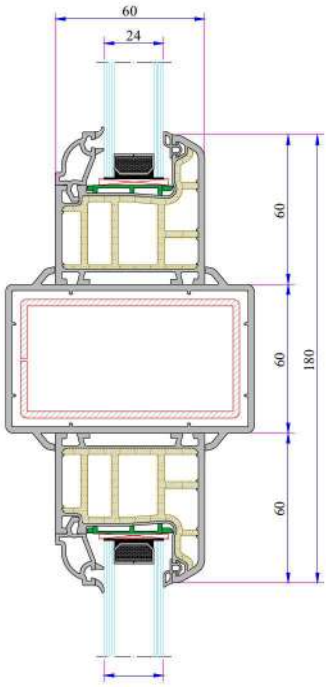
Coupling Installation



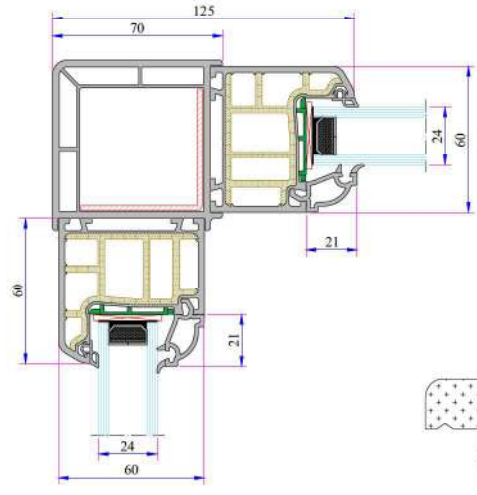
Short Coupling Installation



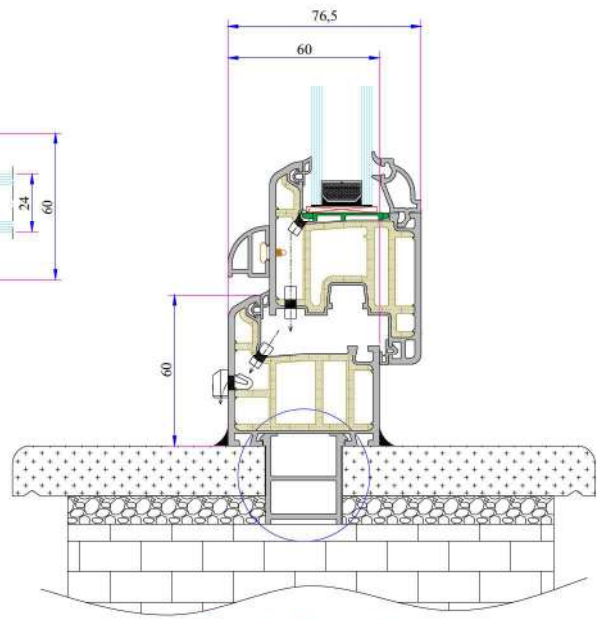
100 mm Frame Lifting Profile Installation



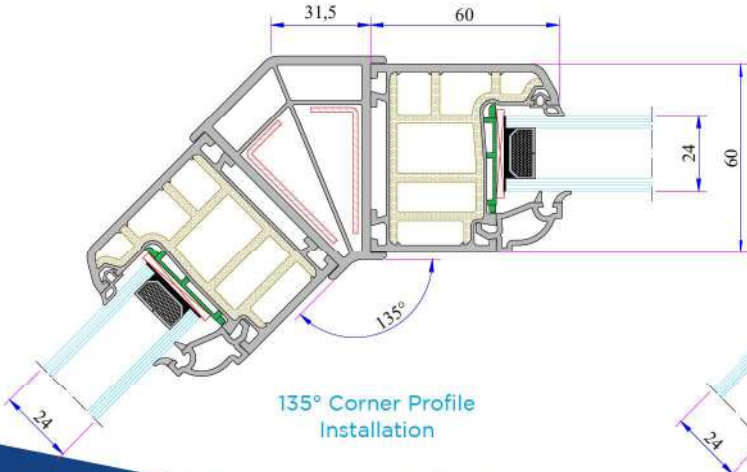
Spiked Box Profile Installation



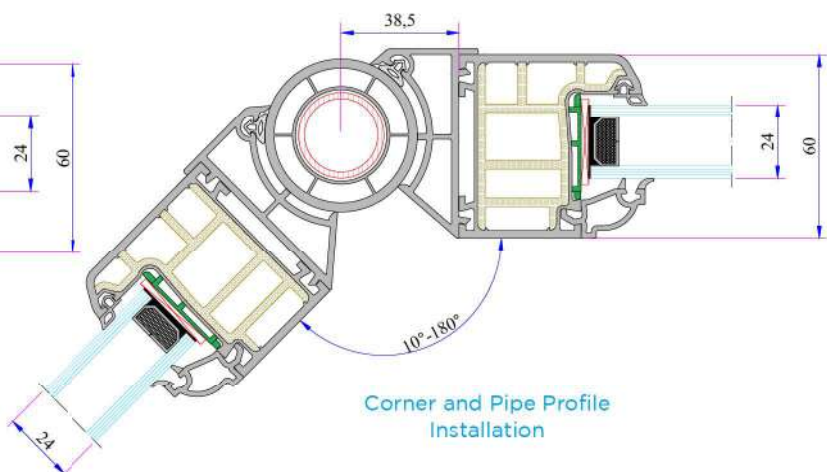
90° Corner Profile Installation



Offset Profile and Frame Montage Profile Installation

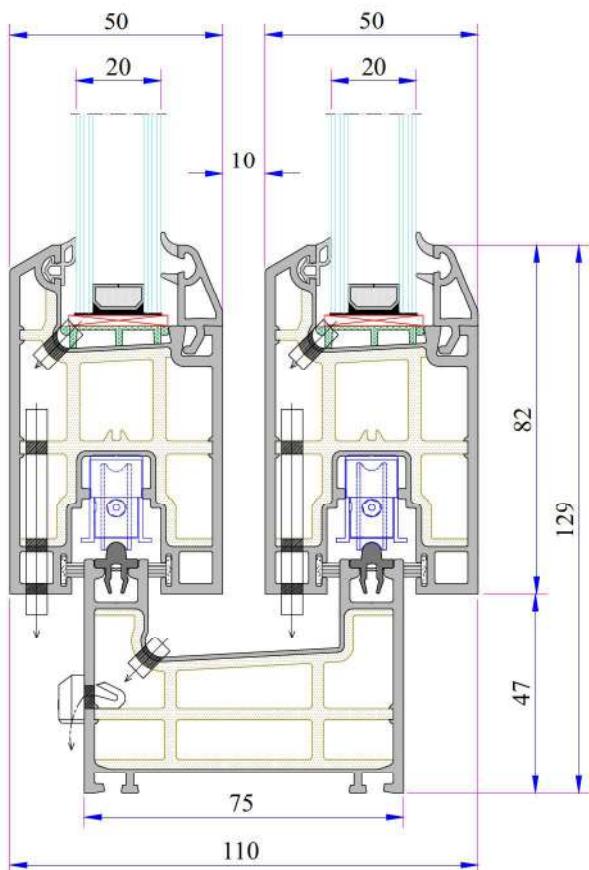


135° Corner Profile Installation



Corner and Pipe Profile Installation





TECHNICAL

PENWOOD 232 SLIDING SERIES

Profile Width: 75 mm double rail frame an 92,5mm single rail frame, 50mm sliding system sash profile

Number of chambers: 3 chambers system

Profile Class: B Class (TS EN 12608-1)

Seal Type: The insulated bristle wick system

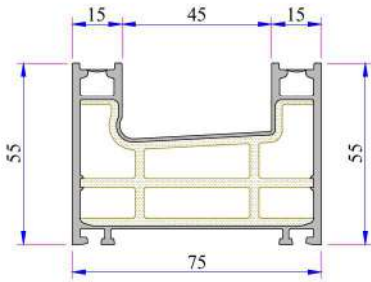
Glass Thickness (mm): 4-6, 20, 24 mm

The thermal insulation Uf: 1,43 W/m²K

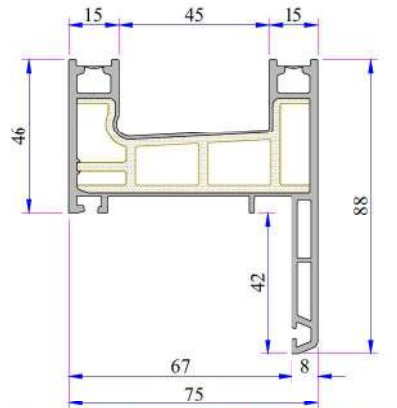
INSTRUCTION

- 75 mm double rail frame and 92,5 mm single rail frame, 50mm sliding system sash profile.
- No need for reinforcement cutting screwing unit and workman.
- Compared with metal reinforcement system profile Penwood systems have % 30 more advantage with max heat - sound and water insulation.
- Just cut and weld. You do not need Metal Reinforcement and extra stock area for Metal Reinforcement.
- It has water drainage channel, it can be directly drilled after cutting.
- The medium locked sash with a seal system.
- Application of single glaze (4-6 mm) and insulating glass 20-24 mm by grey sealed glazing beads in different tickness.
- In addition to main white profile, it has a different laminated color range.
- It's quality is accredited by national and international certificate.

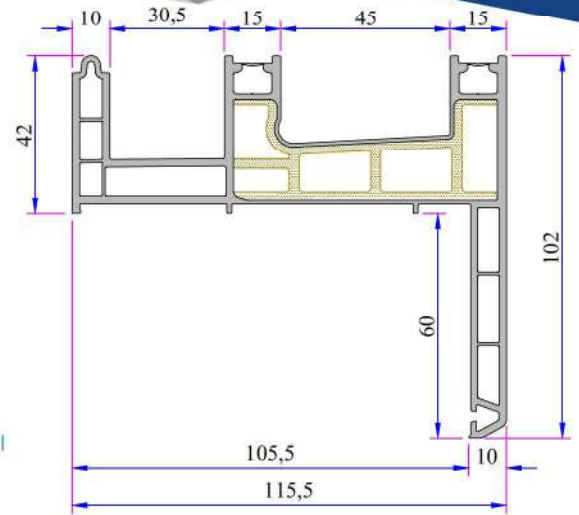
PENWOOD 232 SLIDING SERIES PVC PROFILE SYSTEM



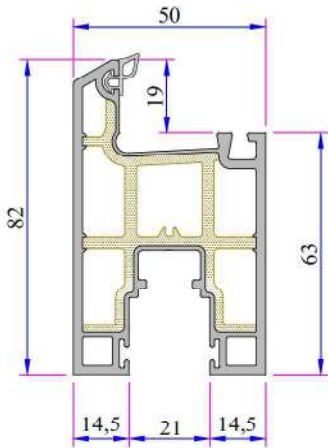
Penwood Frame Profile
(Double Rail)
Code: ???



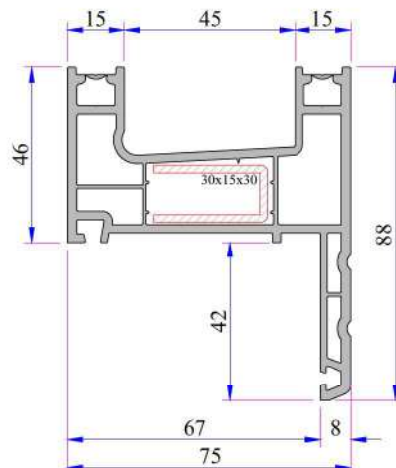
Penwood Frame Profile With Flat Sill
Code: ???



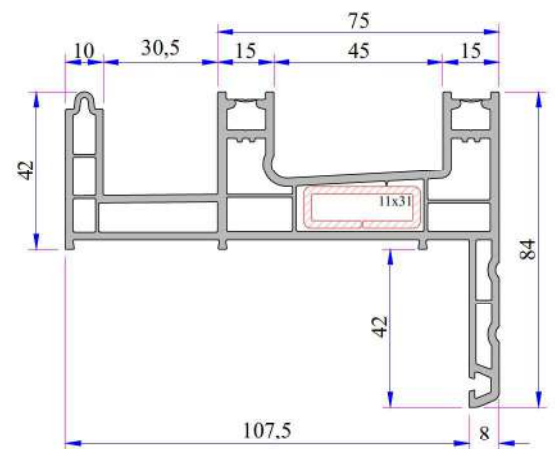
Penwood Frame With Fly-Screen&Sill
Code: ???



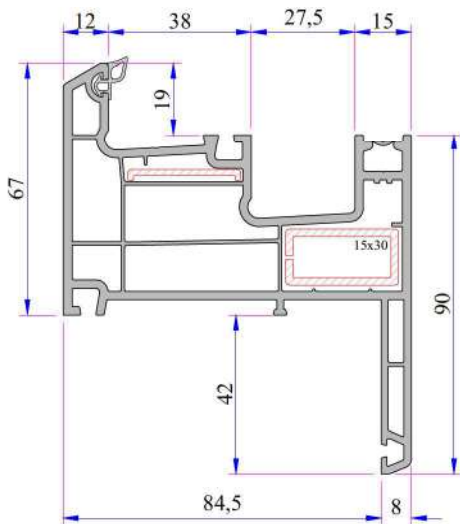
Sliding System Sash Profile
Code: ???



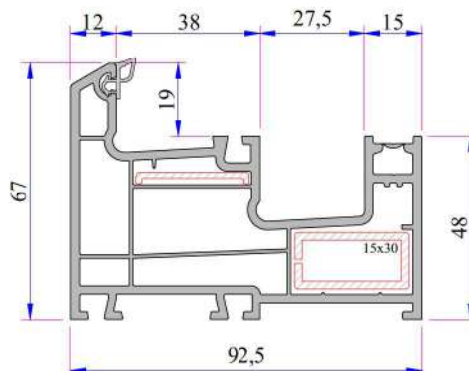
Frame Profile With Sill (Decorative)
Code: P.A.232.1107.600.0.00.03



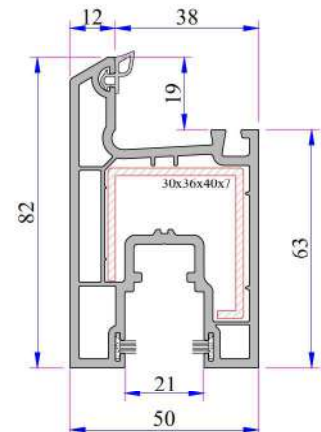
Frame With Fly-Screen&Sill
Code: P.A.232.1109.600.0.00.03



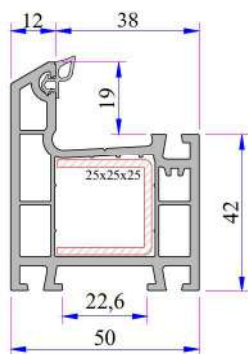
Frame Profile With Sill (Single Rail)
Code: P.A.232.1114.600.0.00.03



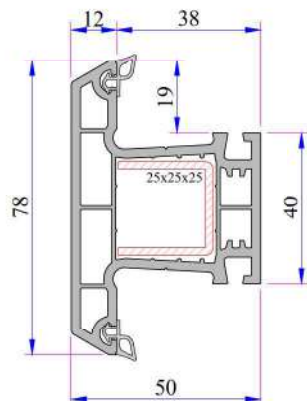
Frame Profile (Single Rail)
Code: P.A.232.1105.600.0.BC.03



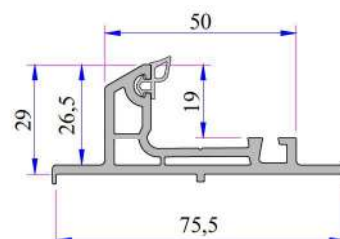
Sliding System Sash Profile (Static)
Code: P.A.232.2308.600.0.BC.03



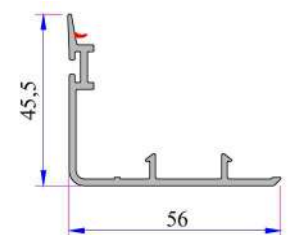
332 Frame Profile
Code: P.A.332.1000.600.0.BC.03



332 Mullion Profile
Code: P.A.332.3000.600.0.BC.03

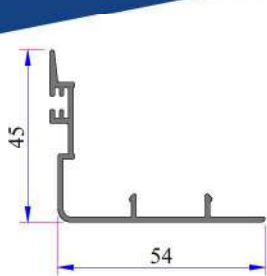


Double Rail Adaptör Profile
Code: P.A.232.5800.600.0.BC.19

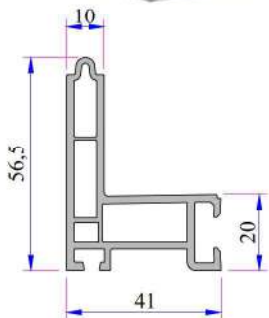


Sash Cover Profile
Code: P.A.222.8700.600

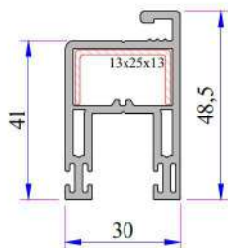
PENWOOD 232 SLIDING SERIES PVC PROFILE SYSTEM



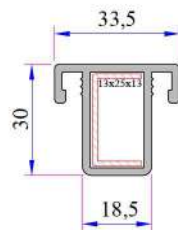
Alm. Sash Cover Profile
Code: 16051.601.5.11.9016



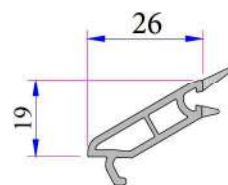
Screen Adaptör Profile
Code: P.A.232.5802.600.0.00.19



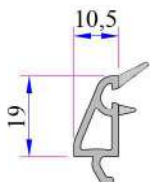
Sliding Screen Sash Profile
Code: P.A.242.2305.600.0.00.03



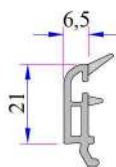
Sliding Screen Mullion Profile
Code: P.A.242.3200.600.0.00.03



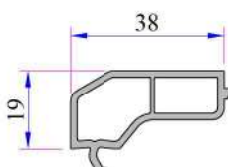
Single Glazing Bead (4mm)
Code: P.A.332.4000.600.0.HC



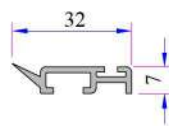
Double Glazing Bead (20mm)
Code: P.A.332.4100.600.0.HC



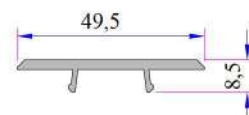
Double Glazing Bead (24mm)
Code: P.A.532.4500.600.0.HC



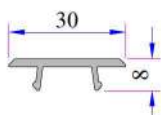
PVC Cover Profile
Code: P.A.232.5702.600



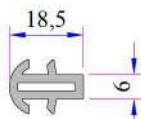
Lap Strip Profile
Code: P.A.232.5301.600



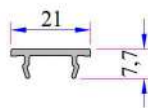
PVC Sash Cover Profile
Code: P.A.232.5704.600



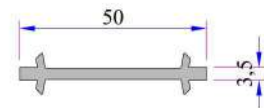
Screen Sash Cover Profile
Code: P.A.242.5701.600



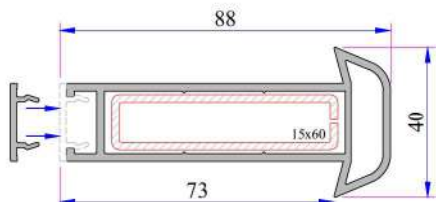
Short Coupling Profile
Code: P.A.099.5003.600



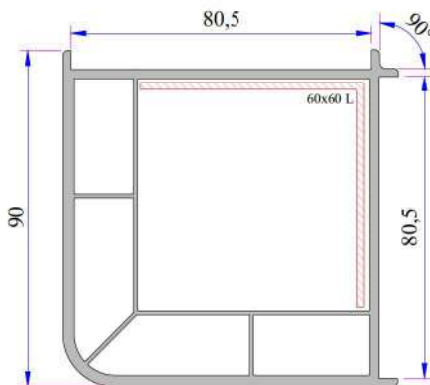
Universal Large Coupling Cover Profile
Code: P.A.058.5707.600.0.00.19



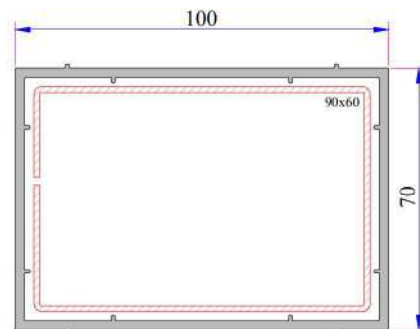
Narrow Coupling Profile
Code: P.A.050.5001.600



Universal Large Coupling Profile
Code: P.A.058.5000.600.0.00.19



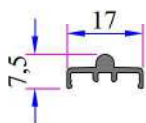
90° Corner Profile
Code: P.A.080.5100.600.0.00.19



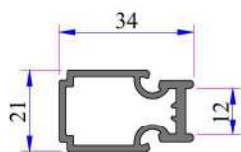
Box Profile (70*100)
Code: P.A.070.5202.600.0.00.19



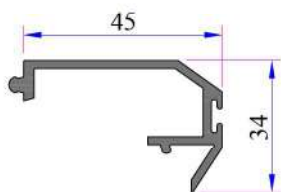
Alm. Sliding Rail Profile
Code: 16014.601.5.0.0.0000



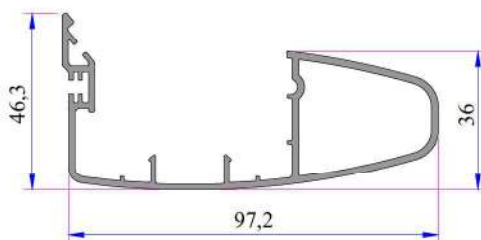
Alm. Sliding Rail Profile
Code: ??



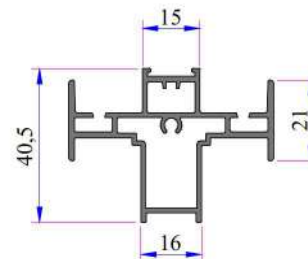
Alm. Double Rail Adaptor Profile
Code: AD16-011(White)



Alm. Cover Profile
Code: 16013.601.5.2.0.0000

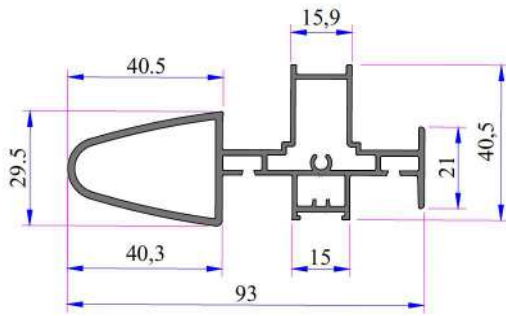


Sash Cover Grillage Profile
Code: 16028.601.5.2.0.0000

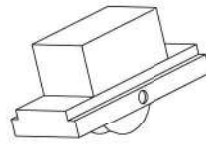


With Alum. Lug Double Sash Middle Adaptor (In Process)
Code: ??

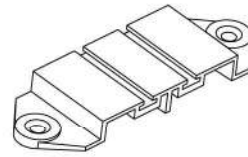
PENWOOD 232 SLIDING SERIES PVC PROFILE SYSTEM



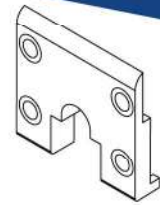
With Alum. Grillage Double Sash
Middle Adaptor (In Process)
Code: P.A.332.4000.600.0.HC



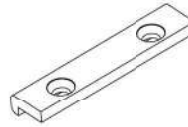
Sliding Roller Plastic
Code: 34009-17010



Sealing Bit Single Rail
Code: 34009-26020

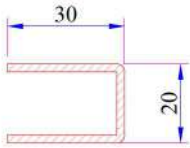


Sliding Sash End Bit
Code: 34009-46010

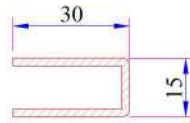


Upper bedding Piece for
Sliding Rail
Code: 34009-36010

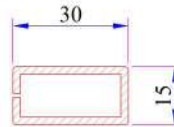
W 232 Sliding Re-Inforcement Profiles



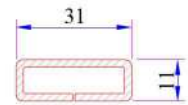
Double Rail Frame Profile
Reinforcement
Code: 34022-12006



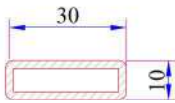
Frame Profile with Sill -
Frame Profile with Flat Sill
Reinforcement
Code: 34022-12034



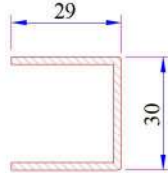
Frame Profile (Single Rail)-
Frame Profile With Sill (Single
Rail) Reinforcement
Code: 34022-12125



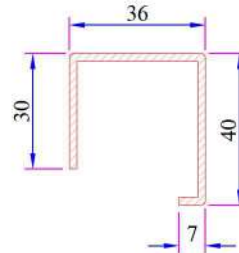
Frame With Fly-Screen & Sill
Reinforcement
Code: 34022-12107



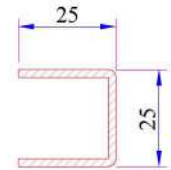
Frame With Internal Fly-
Screen Reinforcement
Code: 34022-12107



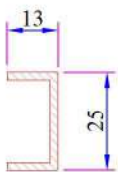
Sliding System Sash
Profile Reinforcement
Code: 34022-12002



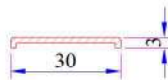
Sliding System Sash Profile
(Static) Reinforcement
Code: 34022-12107



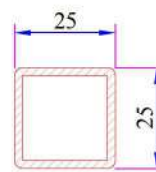
332 Frame - Mullion Profile
Reinforcement
Code: 34022-12003



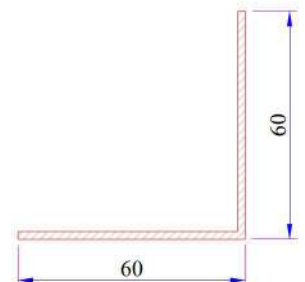
Fly-Screen Sash - Fly-Screen
Mullion Profile Reinforcement
Code: 34022-12008



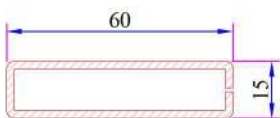
Frame Profile (Single Rail)-
Frame Profile With Sill (Single
Rail) Reinforcement
Code: 34022-12035



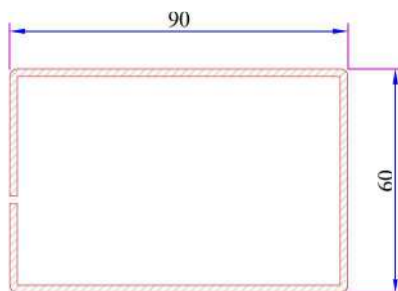
Mullion Profile Static
Reinforcement
Code: 34022-12122



90° Corner Profile
Reinforcement
Code: 34022-12306

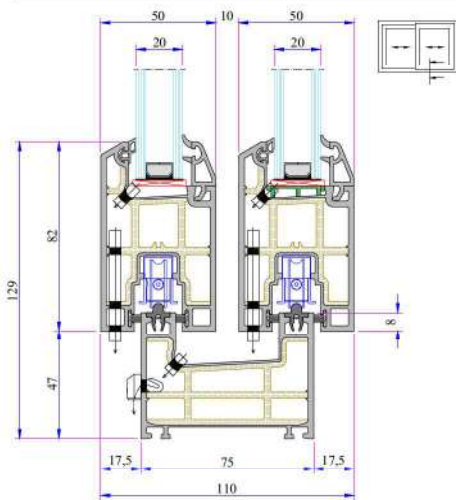


Universal Large Coupling
Profile Reinforcement
Code: 34022-12123

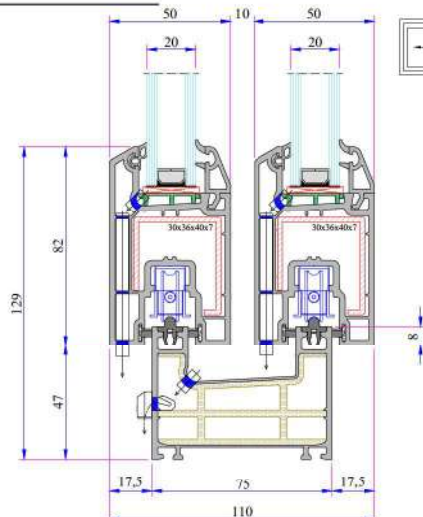


Box Profile Reinforcement
Code: 34022-12121

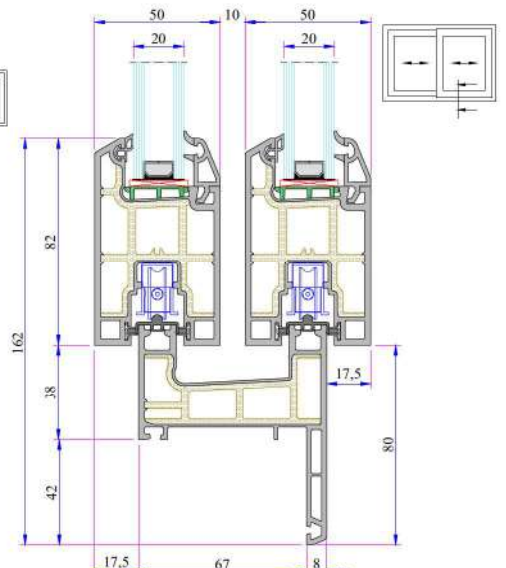
Penwood 232 Sliding Installation



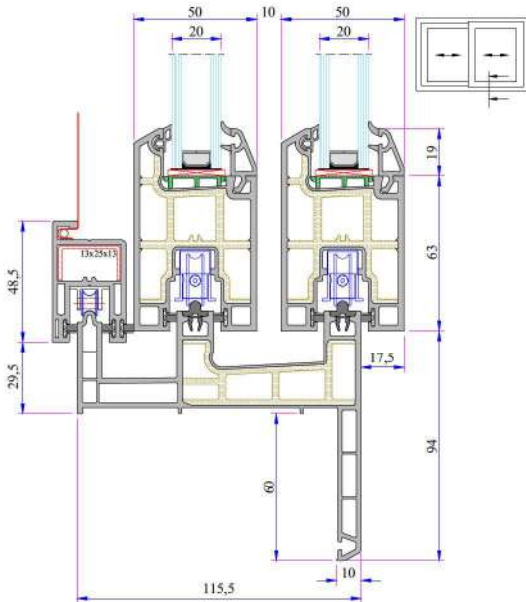
Sliding Frame Sash Double Rail Installation



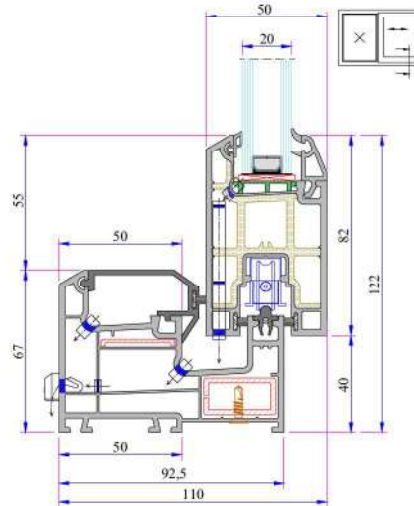
Sliding Frame Static Sash Double Rail Installation



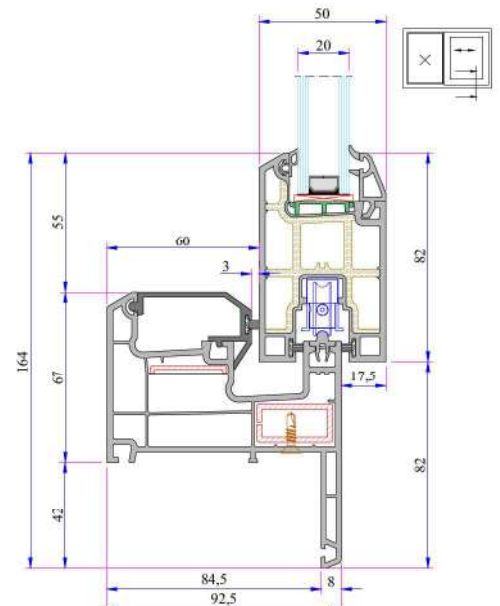
Double Sliding Frame with Sill - Sash Installation



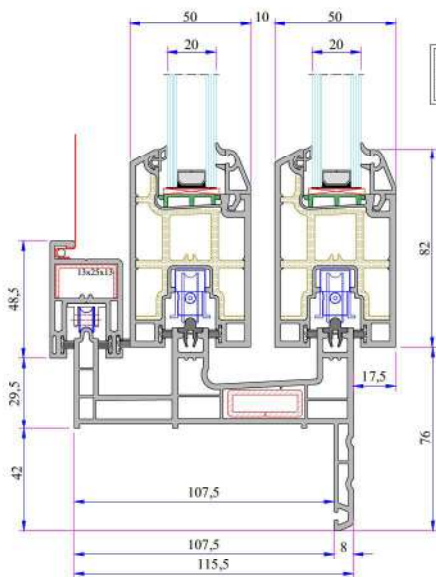
Double Sliding Frame with Sill (60mm) - Sash Installation



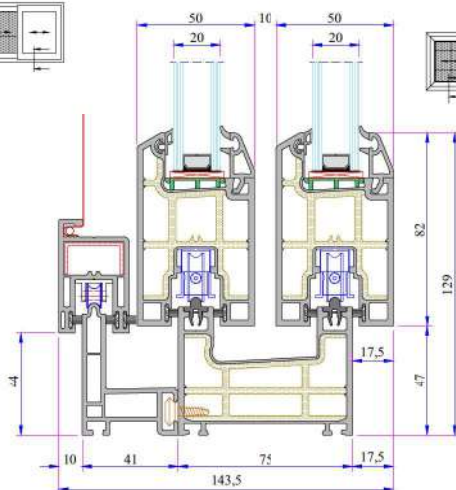
Sliding Frame Sash Single Rail Installation



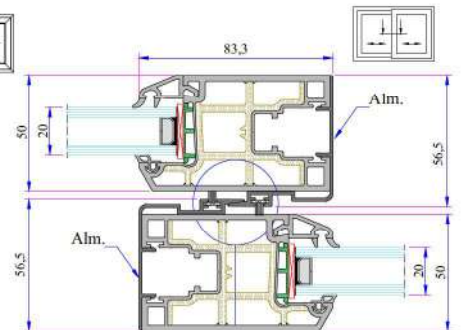
Frame Profile With Sill (Single Rail) - Sash Installation



Sliding Frame - Sash - Screen - Sash Installation



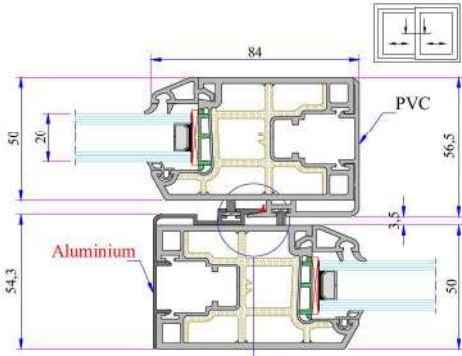
Double Rail Sliding Frame - Sliding Sash - Screen Adaptor Profile Installation



Alternative 1

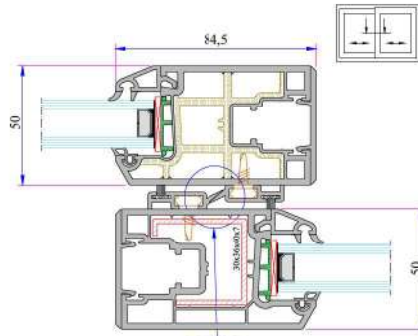
Alm. Sash Cover Profile Installation

PENWOOD 232 SLIDING SERIES PVC PROFILE SYSTEM



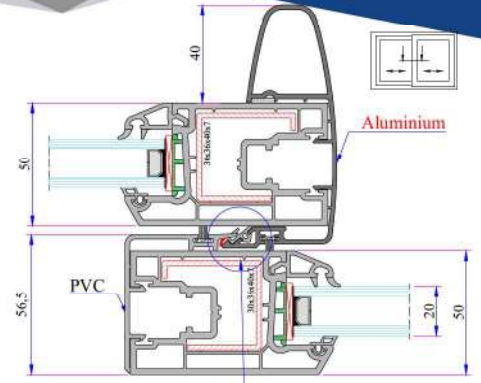
Alternative 2

PVC and Aluminium Sash Cover Installation



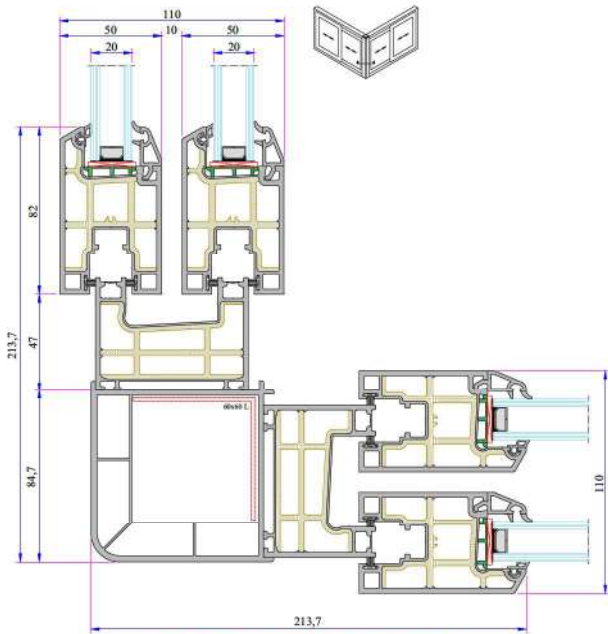
Alternative 3

Sash Cover and Lap Strip Profile Installation

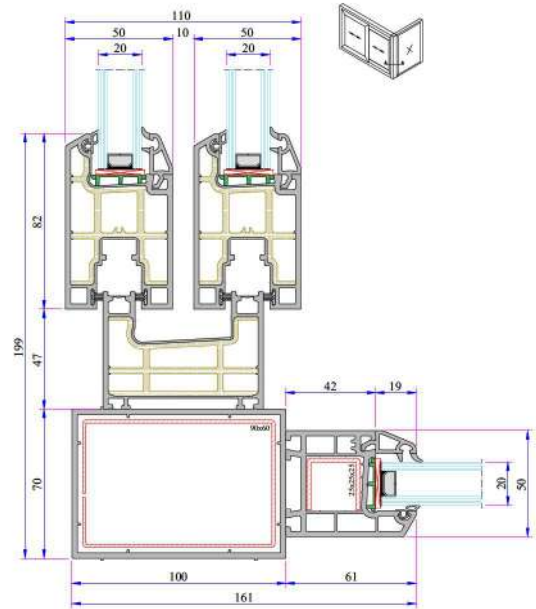


Alternative 4

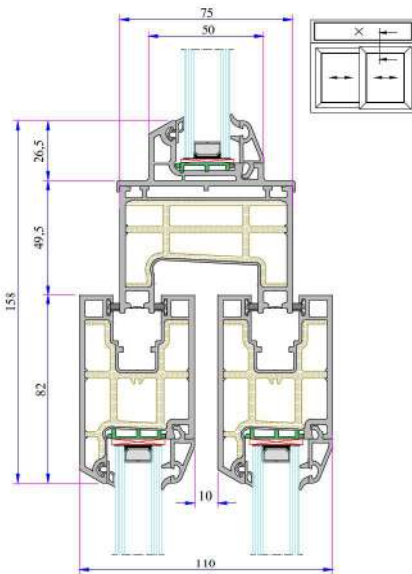
Alm. Sash Cover Griyaj Profile Installation



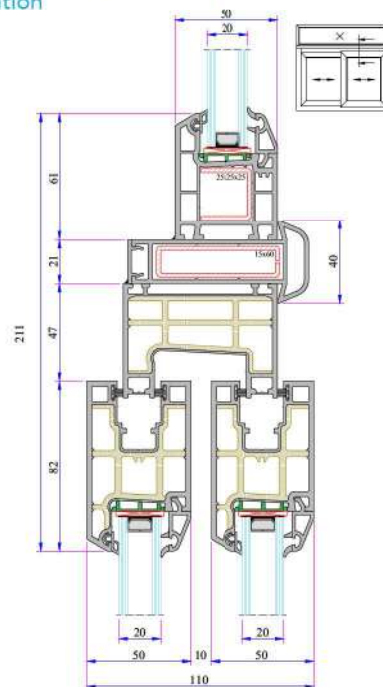
90° Corner Profile Installation



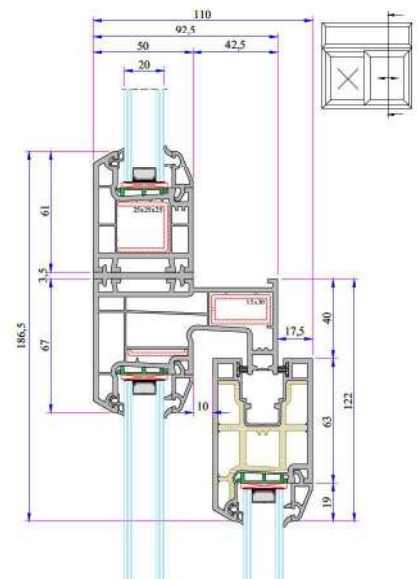
Box Profile Installation (70*100)



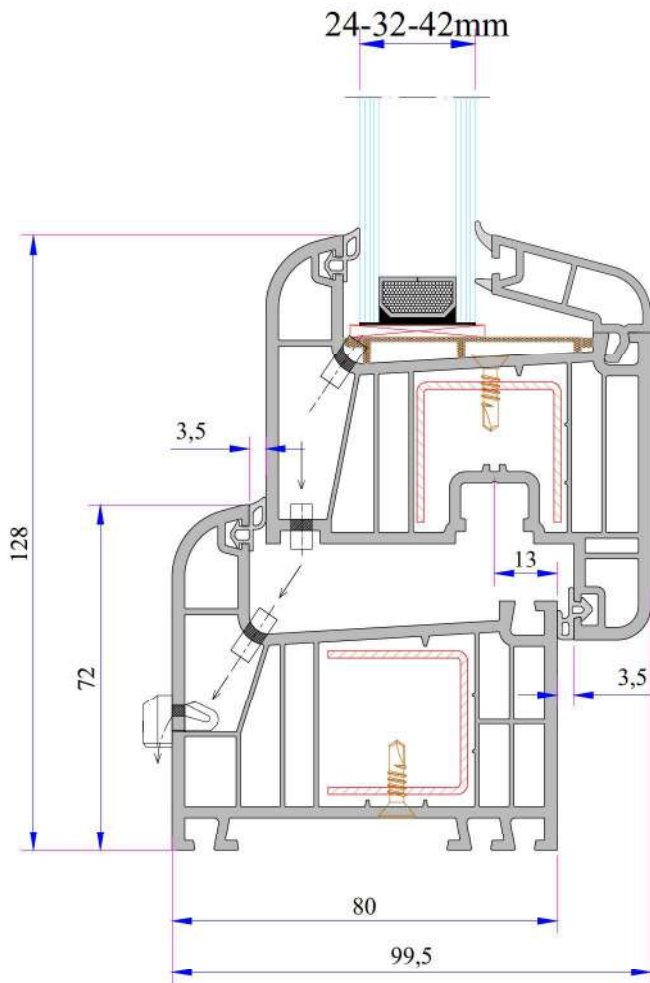
Top Fixed - Bottom Double Rail Sliding Installation



Large Coupling Profile Installation



Top Fixed - Bottom Single Rail Sliding Installation



TECHNICAL

W 800 SERIES

Profile Width: 80 mm

Number of chambers: 6

Profile Class: A Class (TS EN 12608-1) /
RAL 716-GZ A Class

Seal Type: External / Internal double seal
system

Seal Type and Color: TPE - Grey / Black

Glass Thickness (mm): 24, 32, 42 mm

The thermal insulation Uf: 1,2 W/m²K

W 860 SERIES

Profile Width: 80 mm

Number of chamber: 6

Profile Class: B Class (TS EN 12608-1) /
RAL 716-GZ B Class

Seal Type: External / Internal double seal
system

Seal Type and Color: TPE - Grey / Black

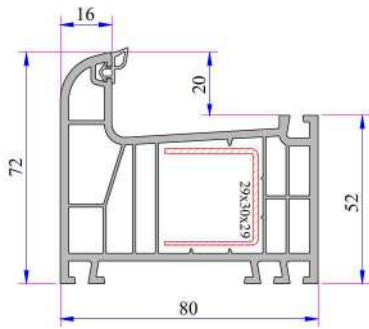
Glass Thickness (mm): 24, 32, 42 mm

The thermal insulation Uf: 1,2 W/m²K

INSTRUCTION

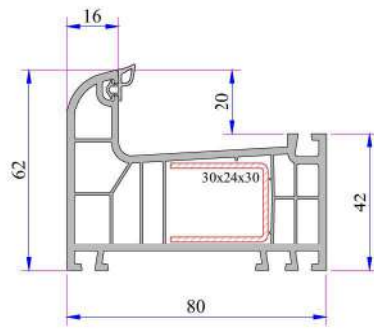
- The profiles have 80 mm width.
- Because of the elastic grey and black seal which does not leave any stain on profiles will be provided maximum air, water, dust and sound isolation.
- Due to the 6 chambers profiles, it has maximum performance for thermal, sound and water isolation.
- It is a series of profiles with very special design that provides maximum wind resistance on high rise buildings.
- Excluding normal sash profile there is also chance to have a choice for offset type sash profile.
- In addition to white profile a different laminated color range is available.
- Application of 24, 32, 42 mm glazing beads give us alternatives of using double, triple glazing and panels.

W 800 - W 860 SERIES PVC PROFILE SYSTEM



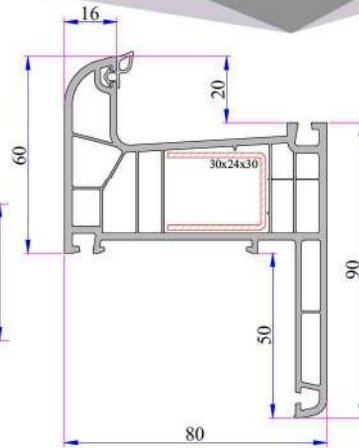
Frame Profile

Code: P.A.860.1000.600.0.BC.03



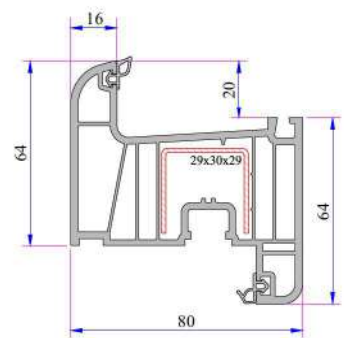
Eco Frame Profile

Code: P.A.860.1003.600.0.BC.03



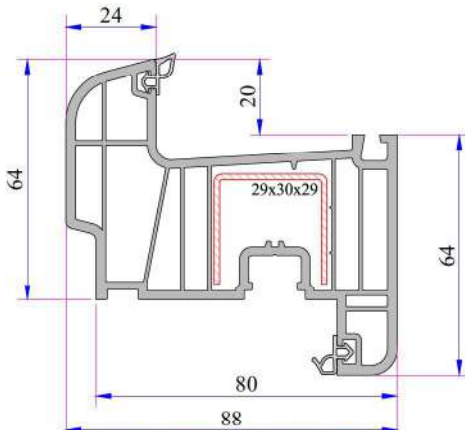
Frame Profile With Sill

Code: P.A.???



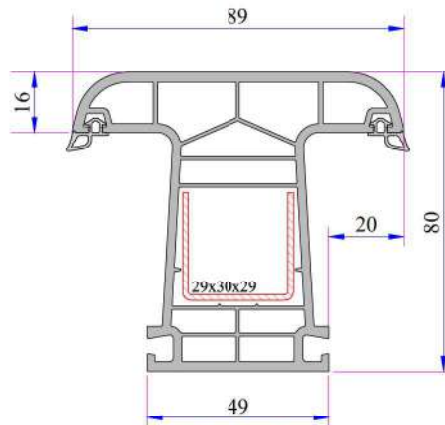
Sash Profile

Code: P.A.860.2000.600.0.BC.03



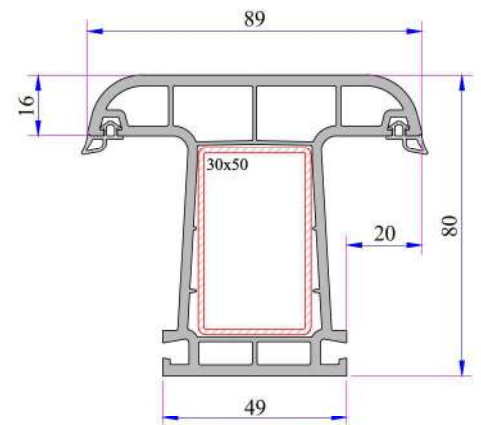
Offset Type Sash Profile

Code: P.A.860.2200.600.0.BC.03



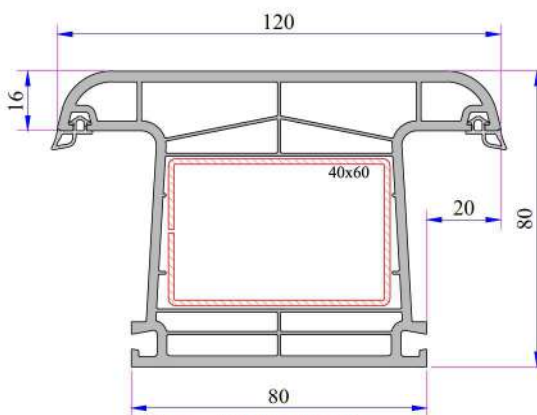
Mullion Profile

Code: P.A.860.3000.600.0.BC.03



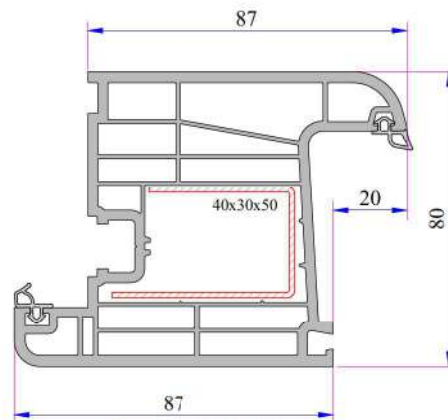
Static Mullion Profile

Code: P.A.800.3009.600.0.BC.03



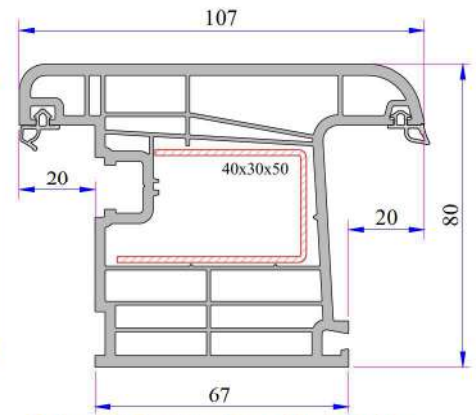
Super Mullion Profile

Code: P.A.800.3008.600.0.BC.03



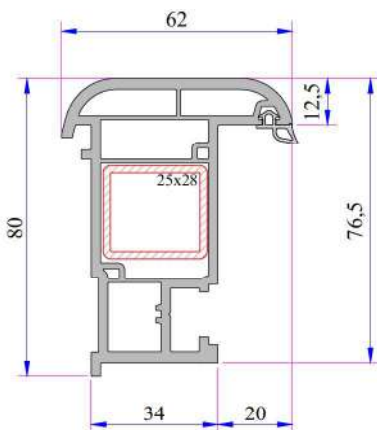
Door Sash Profile

Code: P.A.800.2100.600.0.BC.03



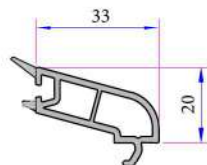
Outward Opening Door Sash Profile

Code: P.A.800.2101.600.0.BC.03



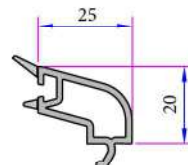
Lap Joint Profile

Code: P.A.800.3100.600.0.BC.19



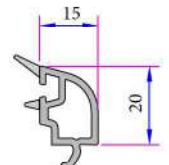
Double Glazing Bead 24 mm

Code: P.A.800.4200.600.0.HC



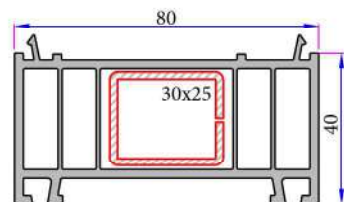
Triple Glazing Bead 32 mm

Code: P.A.800.4500.600.0.HC



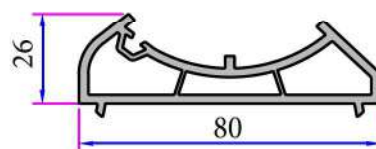
Triple Glazing Bead 42 mm

Code: P.A.800.4600.600.0.HC



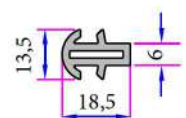
Frame Lifting Profile

Code: P.A.080.5300.600.0.00.19



Corner Lag Profile

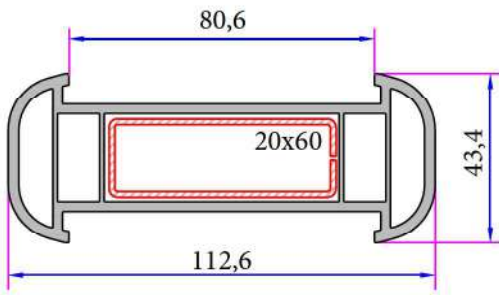
Code: P.A.080.5104.600.0.00.19



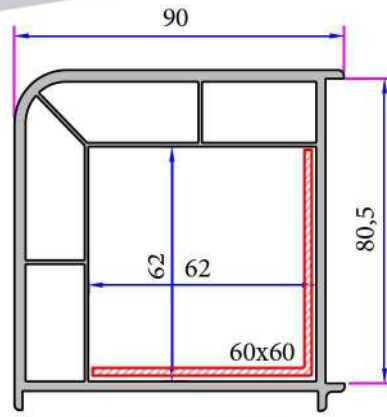
Coupling Profile

Code: P.A.099.5003.600

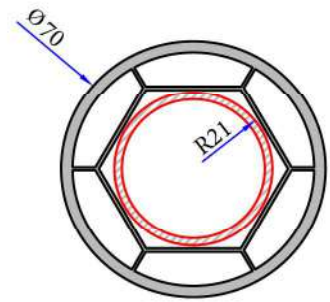
W 800 - W 860 SERIES PVC PROFILE SYSTEM



Large Coupling Profile
Code: P.A.080.5000.600.0.00.19

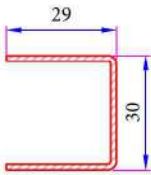


90° Corner Profile
Code: P.A.080.5100.600.0.00.19

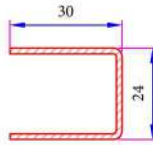


Pipe Profile
Code: P.A.070.5106.600

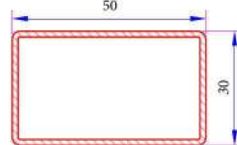
W 800 - W 860 Re-Inforcement Profiles



Lap Joint Profile Reinforcement
Code: 34022-12002



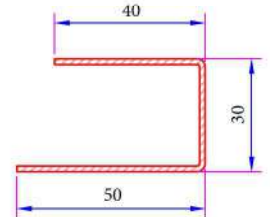
Eco Frame Reinforcement
Code: 34022-12004



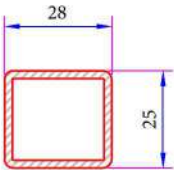
Static Mullion Reinforcement
Code: 34022-12111



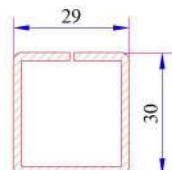
Super Mullion Reinforcement
Code: 34022-12110



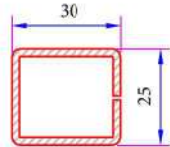
Door Sash - Outward Opening Door Sash Reinforcement
Code: 34022-12014



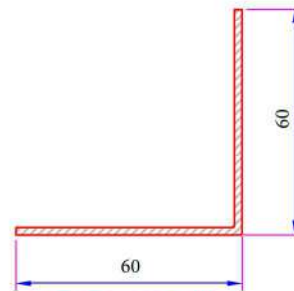
Lap Joint Frame Lifting Profile Reinforcement
Code: 34022-12117



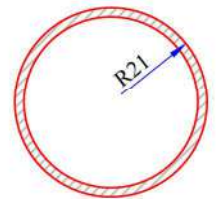
Mullion Profile Static Reinforcement
Code: 34022-15129



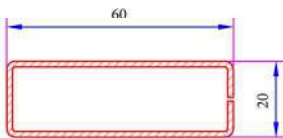
Frame Lifting Profile Reinforcement
Code: 34022-12119



90° Corner Profile Reinforcement
Code: 34022-12306

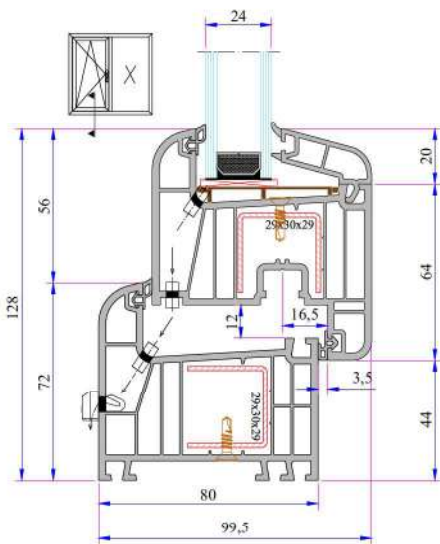


Pipe Profile Reinforcement
Code: 34022-12502

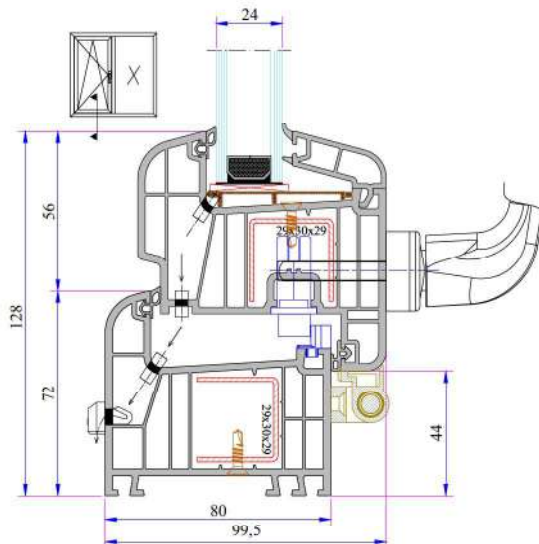


Large Coupling Profile Reinforcement
Code: 34022-12106

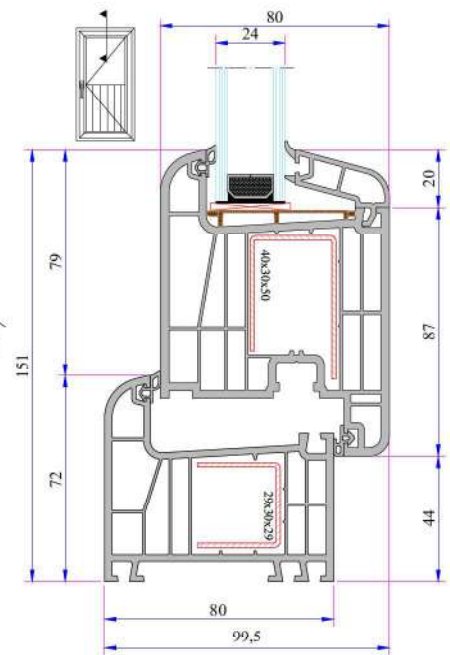
W 800 - W 860 Installation



Frame Sash Installation

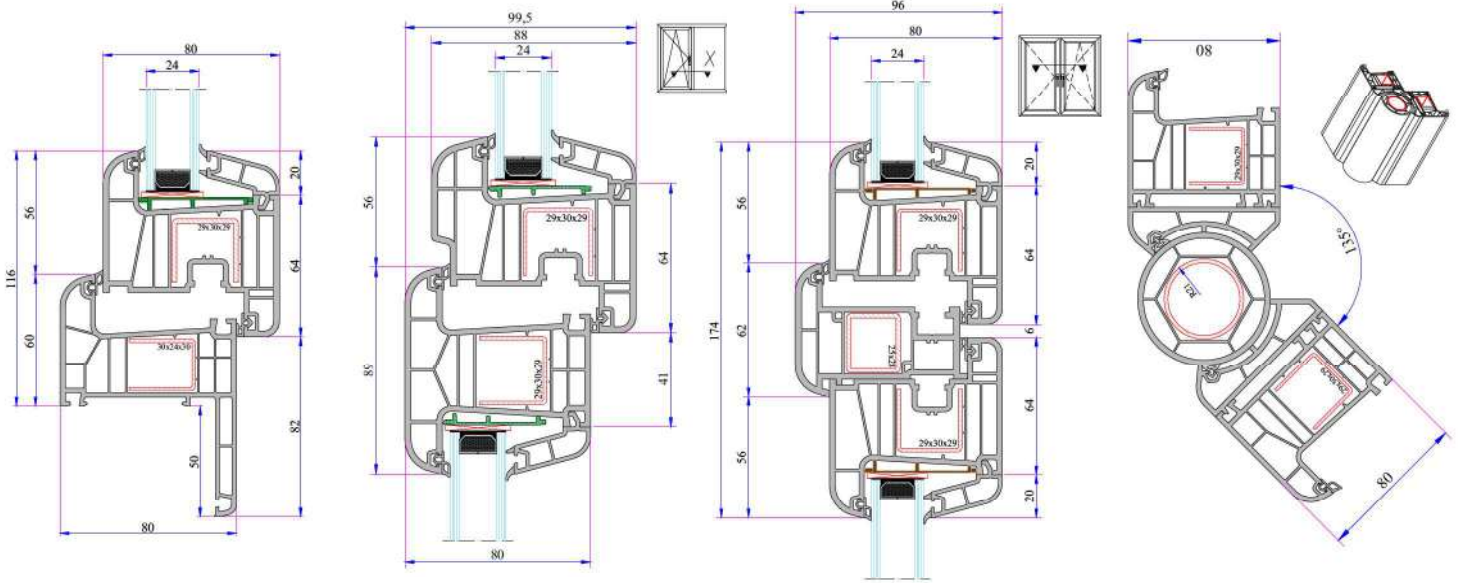


Frame - Offset Type Sash Installation



Frame - Door Sash Installation

W 800 - W 860 SERIES PVC PROFILE SYSTEM

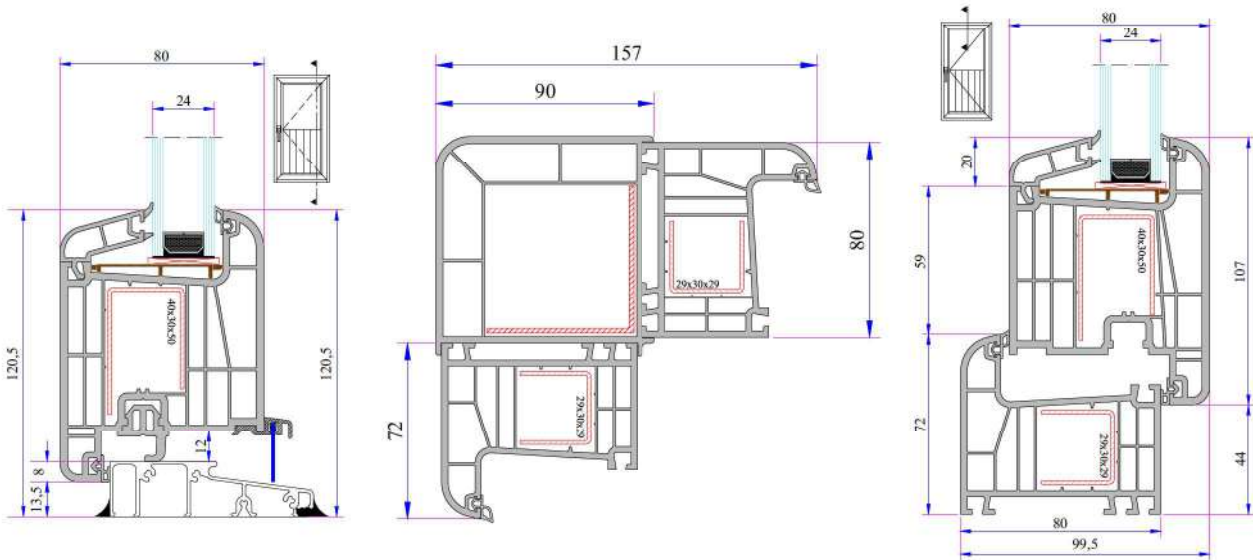


Frame Profile with Sill - Sash Installation

Sash - Mullion Profile Installation

Sash - Lap Joint Installation

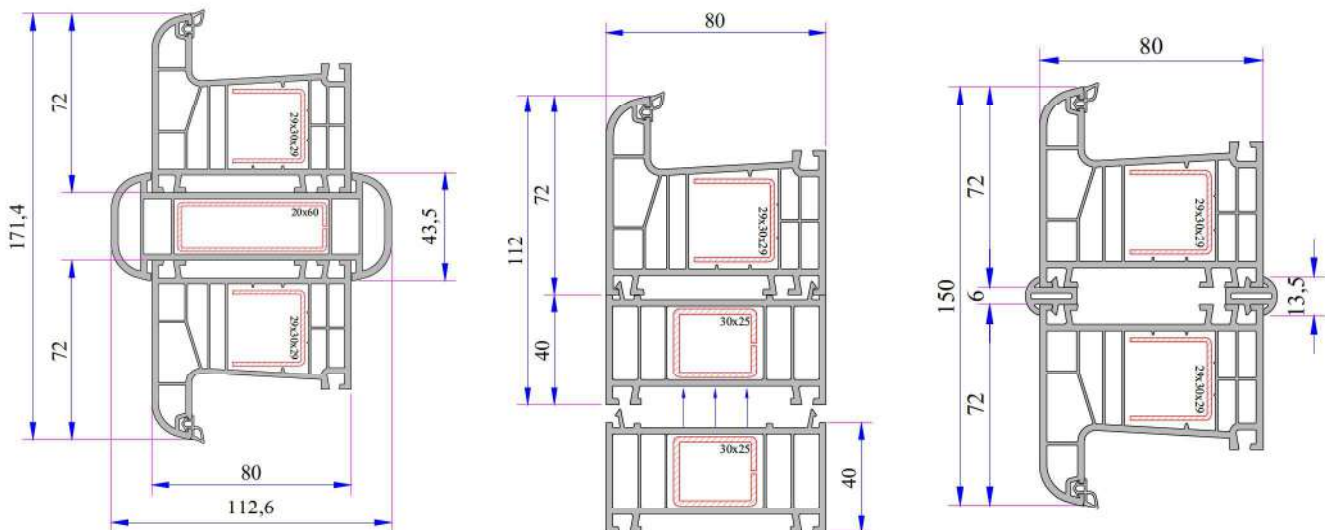
Pipe Profile Installation



With Aluminium Threshold - Door Sash Installation

90° Corner Profile Installation

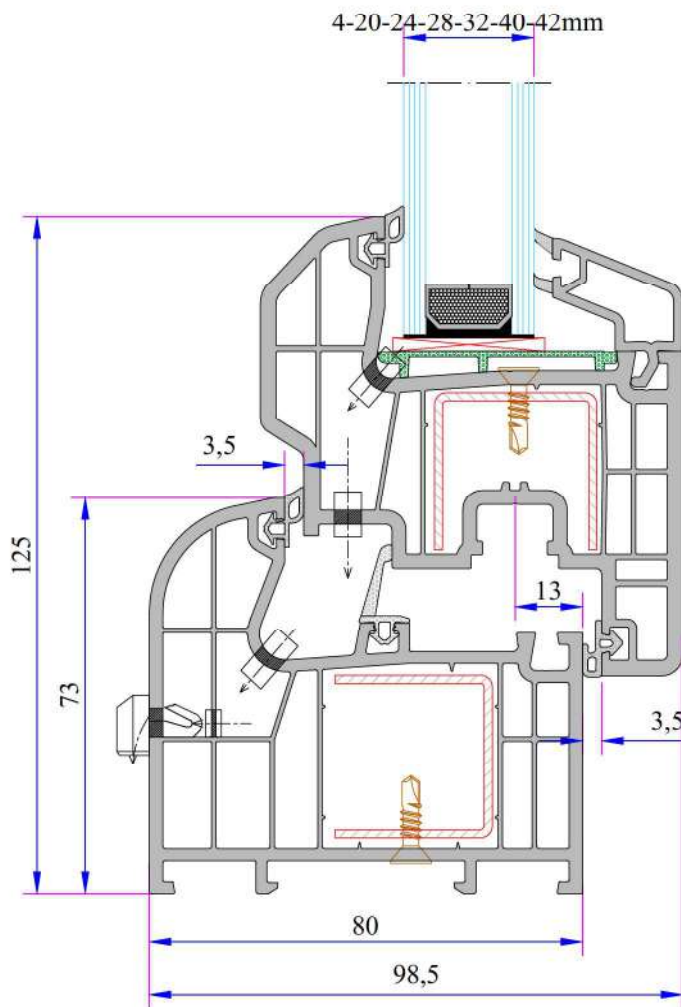
Frame - Outward Opening Door Sash Installation



Large Coupling Installation

Frame Lifting Installation

Short Coupling Installation



TECHNICAL

W 873 SERIES

Profile Width: 80 mm

Number of chambers: 6

Profile Class: B Class (TS EN 12608-1)

Seal Type: External / Internal triple seal system

Seal Type and Color: TPE - Grey /Black

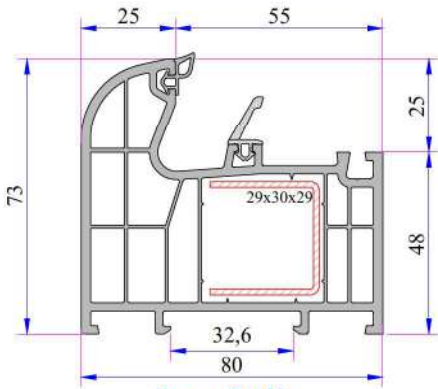
Glass Thickness (mm): 4, 20, 24, 28, 32, 40, 42 mm

The thermal insulation Uf: 1,15 W/m²K

INSTRUCTION

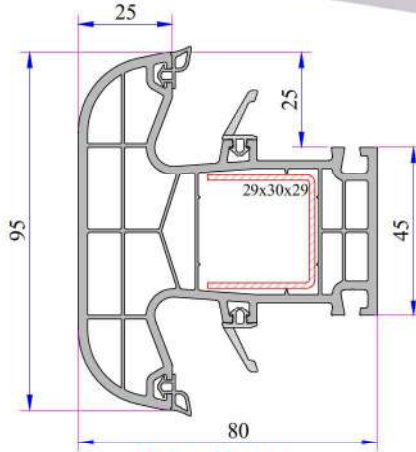
- The profiles have frame 80 mm, sash 70 mm width.
- Because of the elastic grey and black seal which does not leave any stain on profiles will be provided maximum air, water, dust and sound isolation.
- Due to the 6 chambers profiles, it has maximum performance for thermal, sound and water isolation.
- It is a series of profiles with very special design that provides maximum wind resistance on high rise buildings.
- In addition to white profile a different laminated color range is available.
- 4-5 mm single glazing, application of 20, 24, 32, 42 mm glazing beads give us alternatives of using double, triple glazing and panels.

W 873 SERIES PVC PROFILE SYSTEM



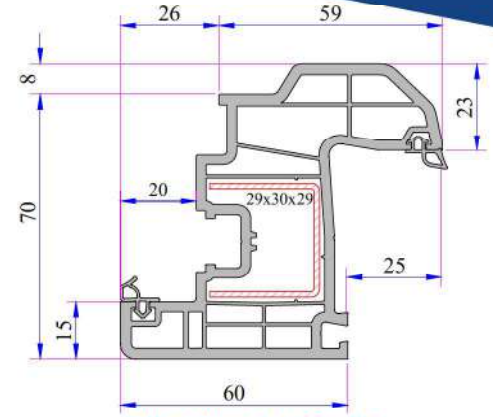
Frame Profile

Code: P.A.873.1000.600.0.BC.03



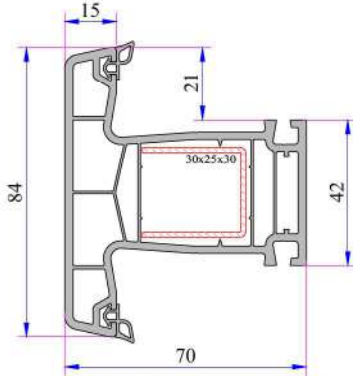
Mullion Profile

Code: P.A.873.3000.600.0.BC.03



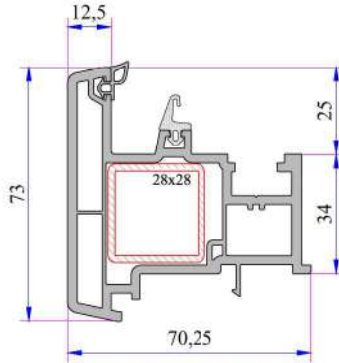
Offset Type Sash Profile

Code: P.A.777.2000.600.0.BC.03



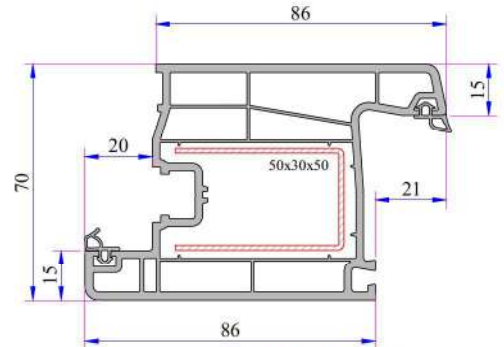
Mullion Profile For Door

Code: P.A.750.3000.600.0.BC.03



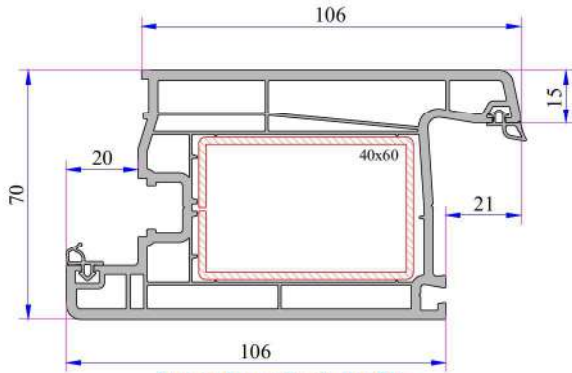
Lap Joint Profile

Code: P.A.777.3100.600.0.BC.19



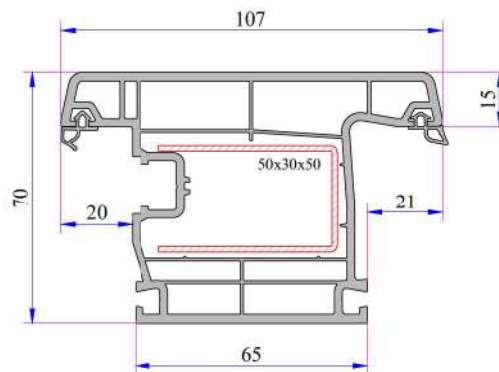
Door Sash Profile

Code: P.A.750.2100.600.0.BC.03



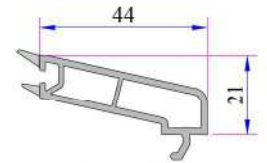
Super Door Sash Profile

Code: P.A.750.2103.600.0.BC.03



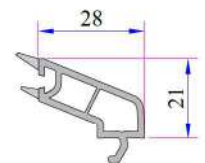
Outward Opening Door Sash Profile

Code: P.A.750.2101.600.0.BC.03



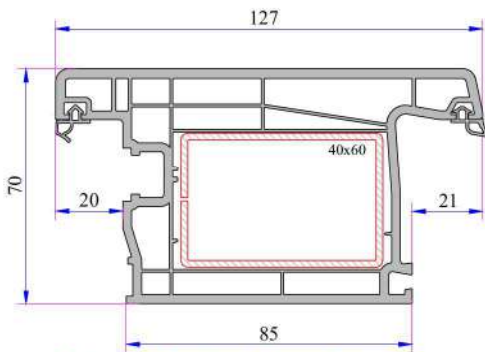
Single Glazing Bead 4-6 mm

Code: P.A.750.4000.600.0.HC



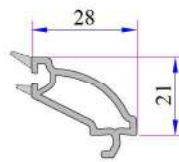
Double Glazing Bead 20 mm

Code: P.A.750.4100.600.0.HC



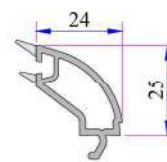
Outward Opening Super Door Sash Profile

Code: P.A.752.2104.600.0.BC.03



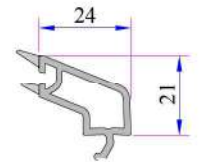
Dec. Double Glazing Bead 20 mm

Code: P.A.750.4102.600.0.HC



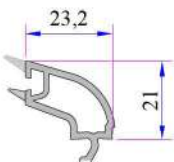
Double Glazing Bead 24 mm

Code: P.A.777.4204.600.0.HC



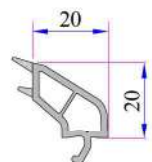
Double Glazing Bead 24 mm

Code: P.A.750.4200.600.0.HC



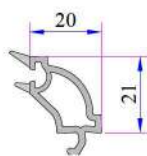
Double Glazing Bead 24 mm

Code: P.A.750.4204.600.0.HC



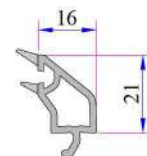
Double Glazing Bead 28 mm

Code: P.A.101.4100.600.0.HC



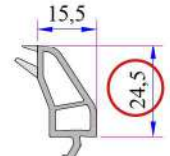
Dec. Double Glazing Bead 28 mm

Code: P.A.101.4102.600.0.HC



Triple Glazing Bead 32 mm

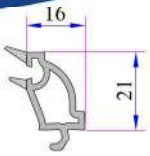
Code: P.A.750.4500.600.0.HC



Triple Glazing Bead 32 mm

Code: P.A.777.4302.600.0.HC

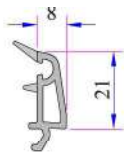
W 873 SERIES PVC PROFILE SYSTEM



Dec. Triple Bead 32 mm

Code:

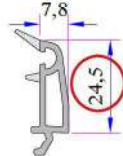
P.A.101.4202.600.0.HC



Triple Glazing Bead 40 mm

Code:

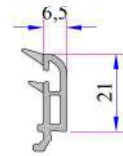
P.A.101.4500.600.0.HC



Triple Glazing Bead 40 mm

Code:

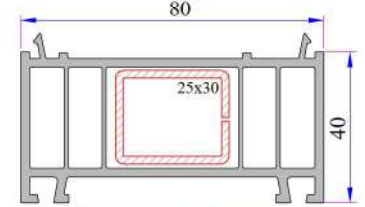
P.A.433.4500.600.0.HC



Triple Glazing Bead 42 mm

Code:

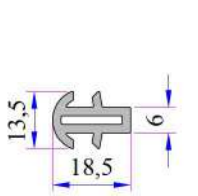
P.A.532.4500.600.0.HC



Frame Lifting Profile

Code:

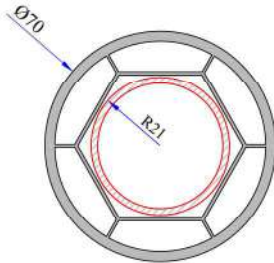
P.A.080.5300.600.0.00.19



Coupling Profile

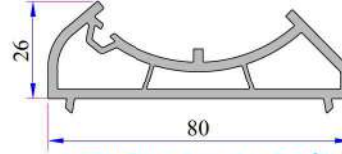
Code:

P.A.099.5003.600



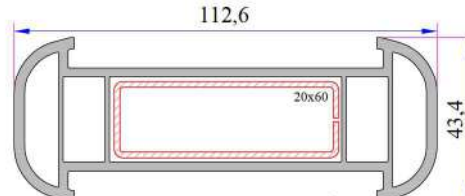
Pipe Profile

Code: P.A.070.5106.600



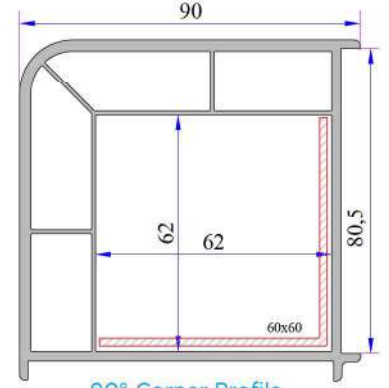
Angle Pipe Adaptor Profile

Code: P.A.080.5104.600.0.00.19



Large Coupling Profile

Code: P.A.080.5000.600.0.00.19

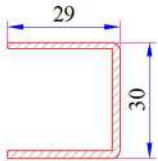


90° Corner Profile

Code:

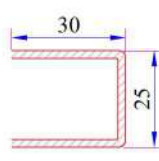
P.A.080.5100.600.0.00.19

W 873 Re-Inforcement Profiles



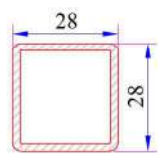
Frame, Sash, Mullion Profile Reinforcement

Code: 34022-12002



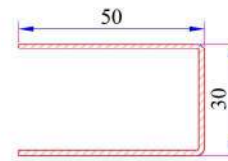
Mullion Profile For Door Reinforcement

Code: 34022-12004



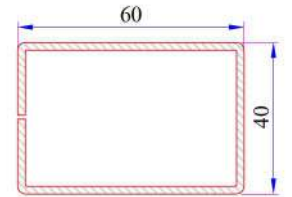
Lap Joint Profile Reinforcement

Code: 34022-12113



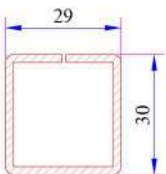
Door Sash - Outward Opening Door Sash Profile Reinforcement

Code: 34022-12013



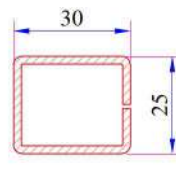
Super Door Sash - Super Outward Opening Door Sash Profile Reinforcement

Code: 34022-12110



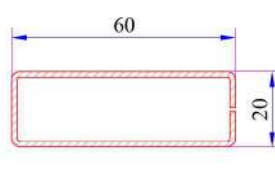
Mullion Profile Static Reinforcement

Code: 34022-15129



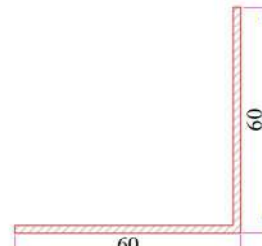
Frame Lifting Profile Reinforcement

Code: 34022-12119



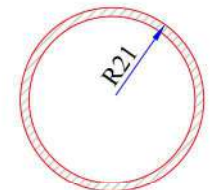
Large Coupling Profile Reinforcement

Code: 34022-12106



90° Corner Profile Reinforcement

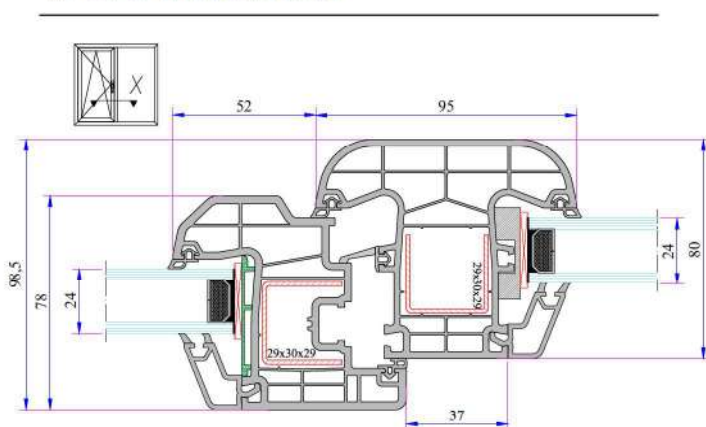
Code: 34022-12306



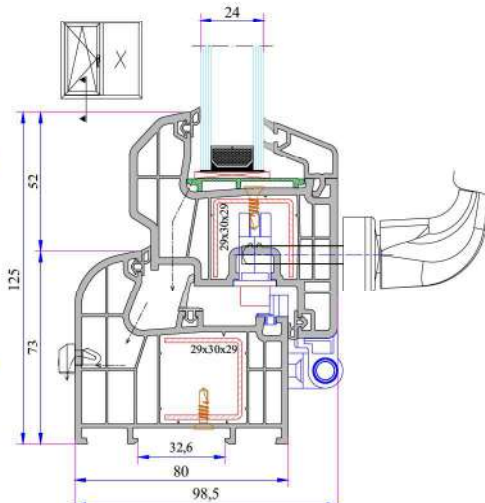
Pipe Profile Reinforcement

Code: 34022-12502

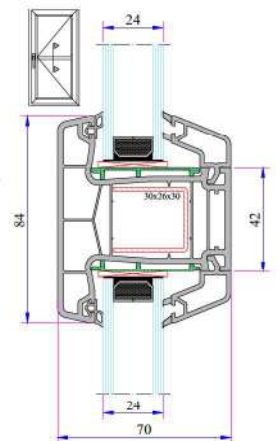
W 873 Installation



Mullion - Offset type sash Installation

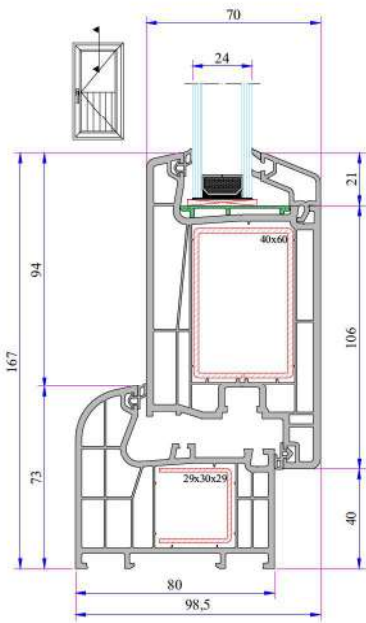


Frame-Sash Installation

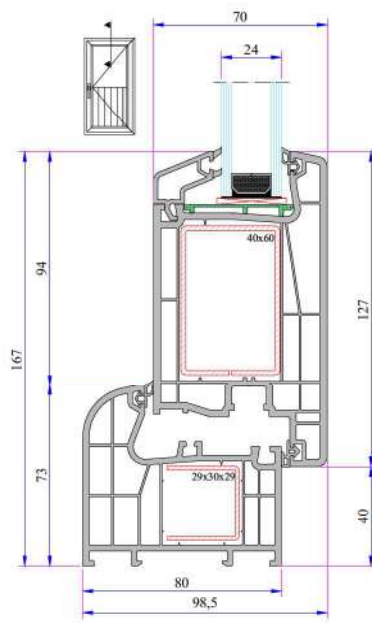


Door Sash- Mullion Installation

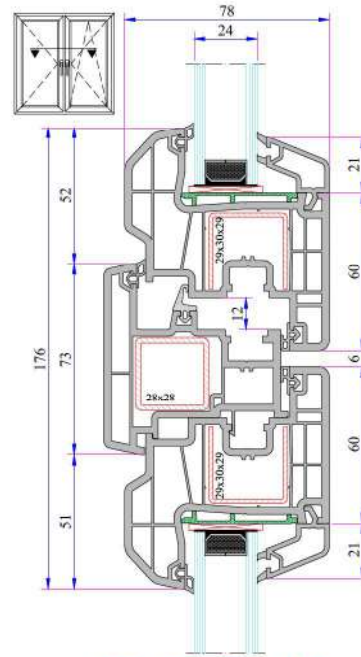
W 873 SERIES PVC PROFILE SYSTEM



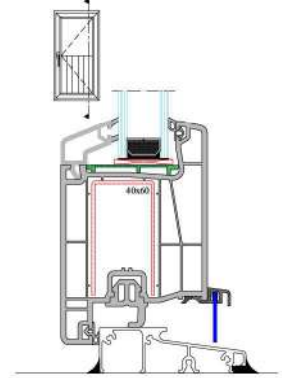
Frame - Super Door Sash Installation



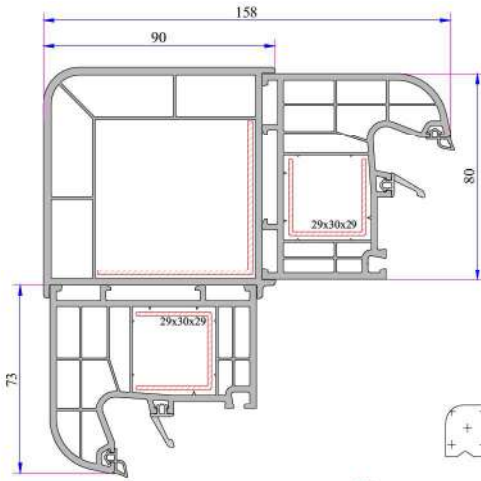
Frame - Super Outward Opening Door Sash Installation



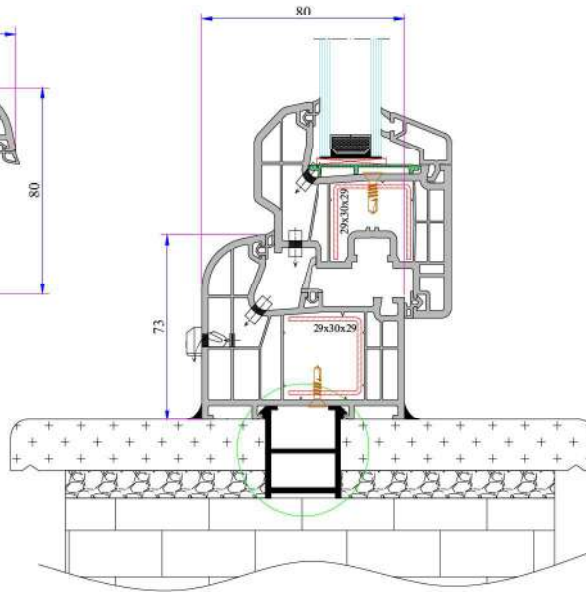
Sash -Lap Joint - Sash Installation



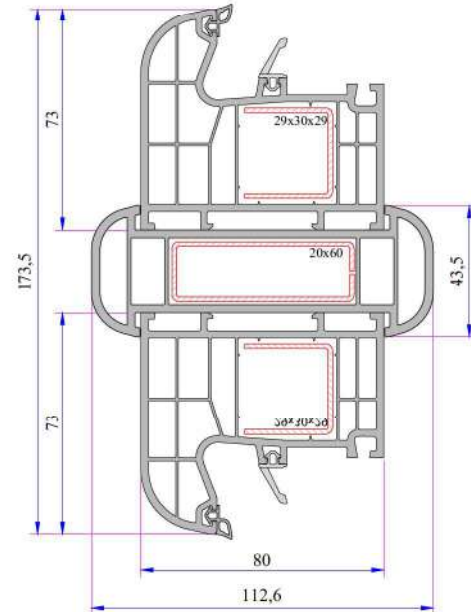
With Aluminium Threshold - Door Sash Installation



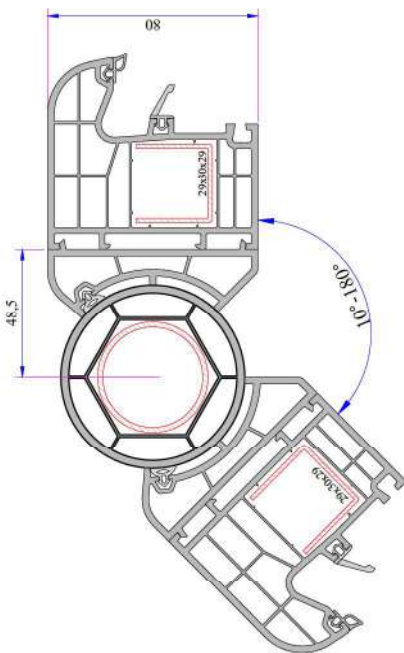
90° Corner Profile Installation



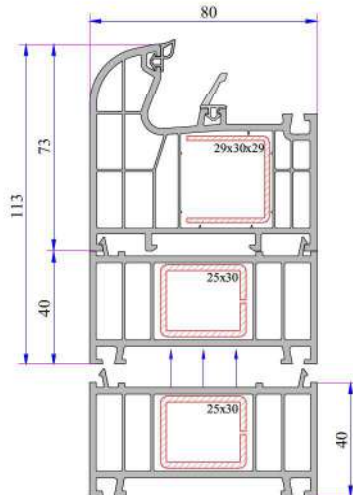
Frame Profile Installation



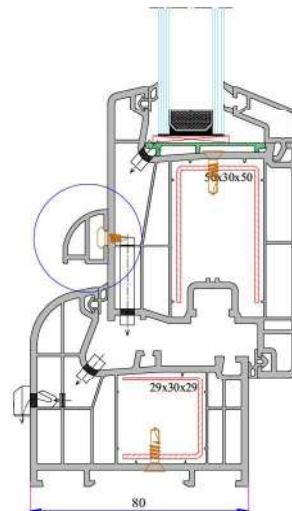
Large Coupling Profile Installation



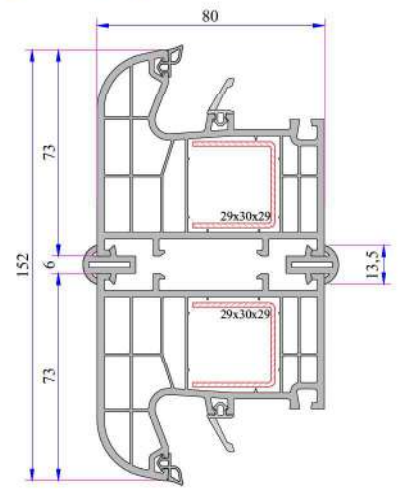
Pipe Profile Installation



Frame Lifting Profile Installation



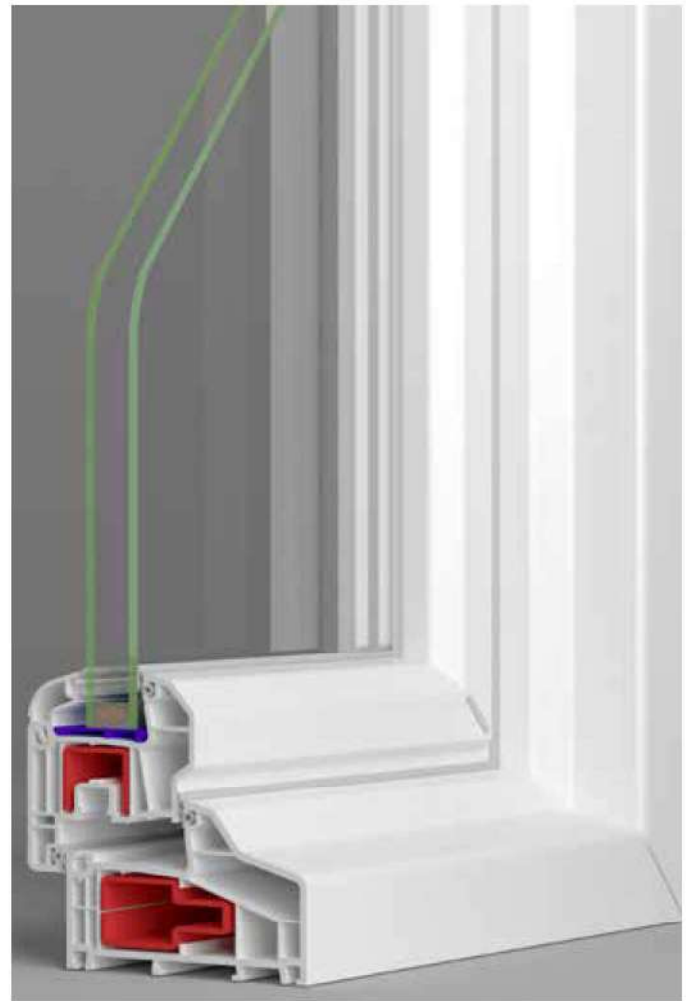
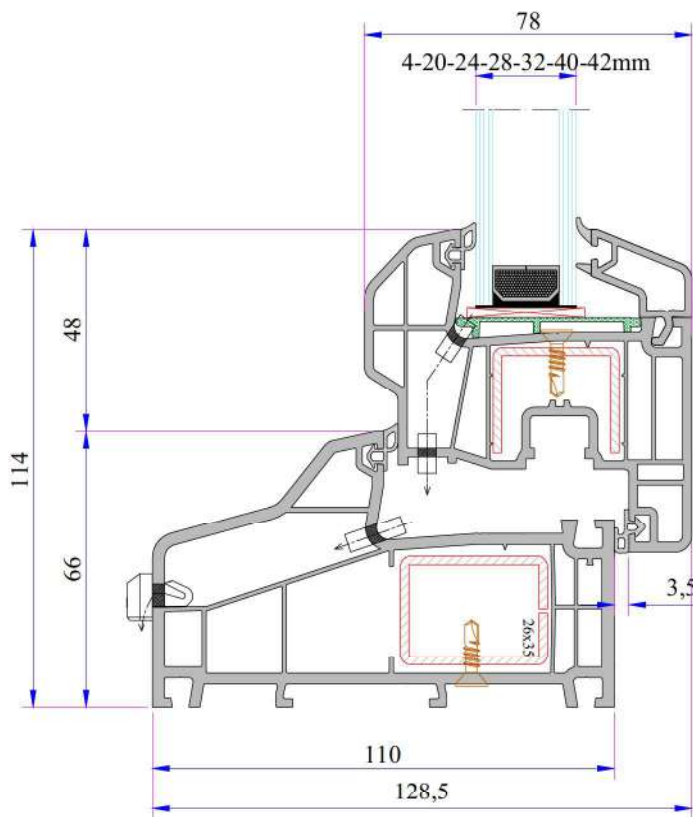
Offset Profile Installation



Short Coupling Profile







TECHNICAL

W 790 SERIES

Profile Width: 110 mm

Number of chambers: 5

Profile Class: A Class (TS EN 12608-1) /
RAL 716-GZ A Class

Seal Type: External / Internal double seal
system

Seal Type and Color: TPE - Grey /Black

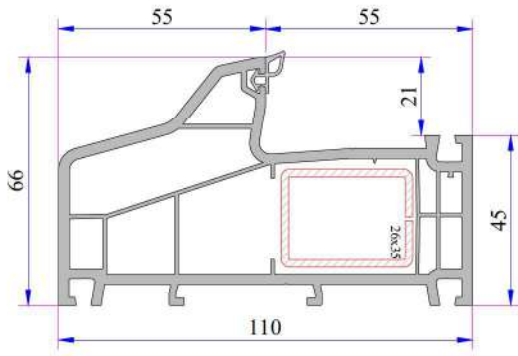
Glass Thickness (mm): 4, 20, 24, 28, 32,
40, 42 mm

The thermal insulation Uf: 1,36 W/m²K

INSTRUCTION

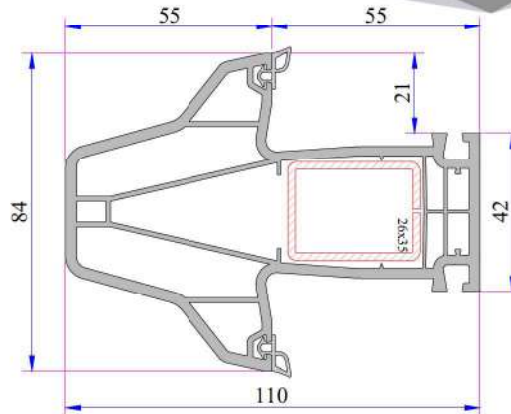
- The main profiles have 110 mm width.
- Because of the elastic grey and black seal which does not leave any stain on profiles will be provided maximum air, water, dust and sound isolation.
- Due to the 5 chambers profiles, it has maximum performance for thermal, sound and water isolation.
- It is a series of profiles with very special design that provides maximum wind resistance on high rise buildings.
- In addition to main white profile it has a different laminated color range.
- 4-5 mm single glazing application of 4, 20, 24, 28, 32, 40, 42 mm glazing beads give us alternatives of using double, triple glazing and panels.

W 790 SERIES PVC PROFILE SYSTEM



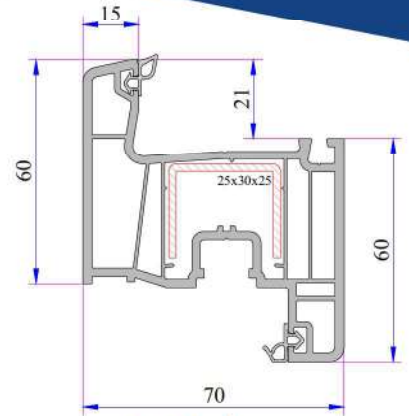
W 790 Frame Profile

Code: P.A.790.1000.600.0.BC.03



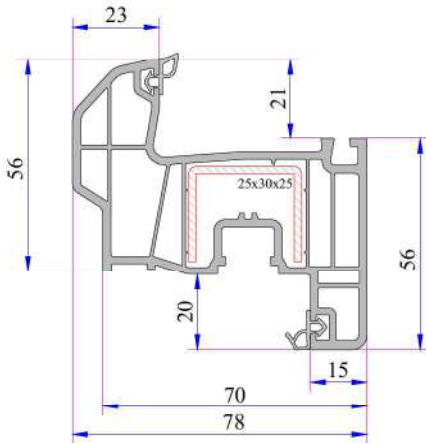
W 790 Mullion Profile

Code: P.A.790.3000.600.0.BC.03



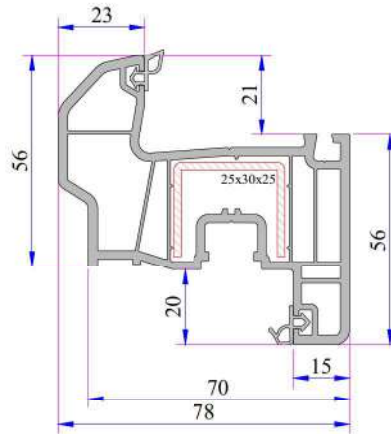
Sash Profile

Code: P.A.750.2000.600.0.BC.03



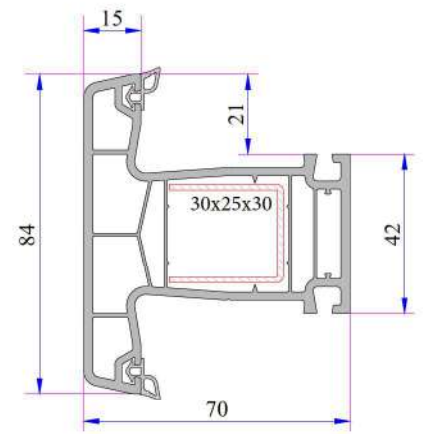
**Offset Type Sash Profile
(6 Chambers)**

Code: P.A.750.2205.600.0.BC.03



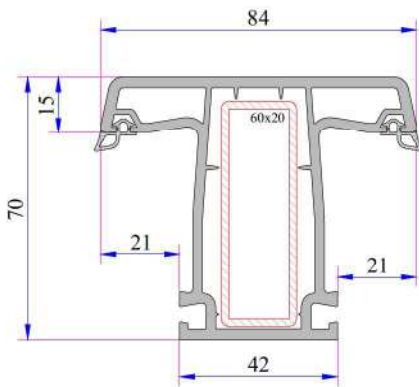
Offset Type Sash Profile

Code: P.A.750.2200.600.0.BC



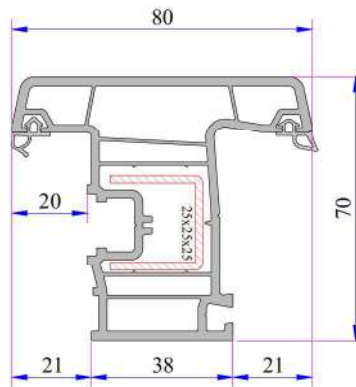
Mullion For Door Profile

Code: P.A.750.3000.600.0.BC.03



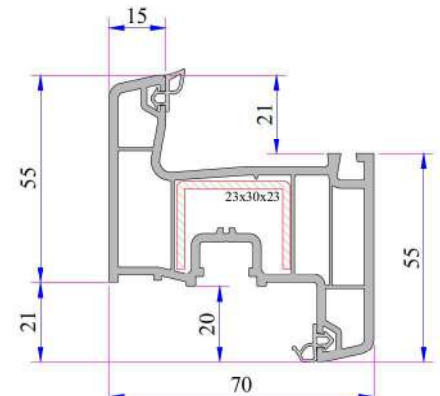
Static Mullion Profile

Code: P.A.750.3009.600.0.BC.03



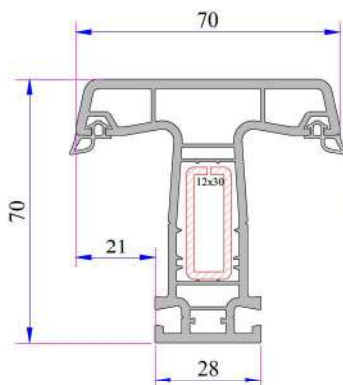
Outward Opening Sash Profile

Code: P.A.750.2001.600.0.BC.03



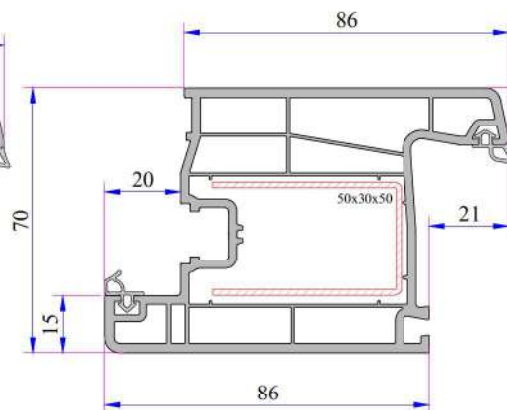
24 Axis. Sash Profile

Code: P.A.750.2003.600.0.BC.03



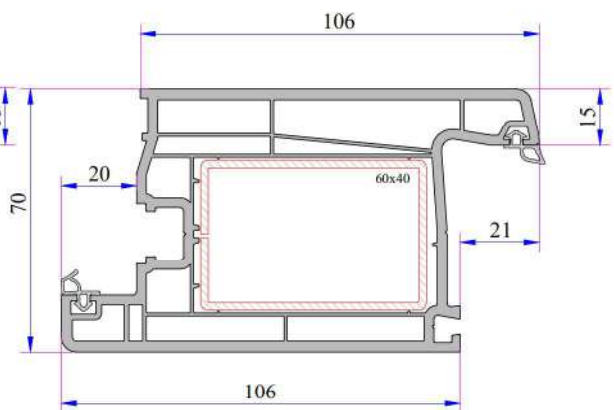
Eco Mullion Profile

Code: P.A.750.3006.600.0.BC.03



Door Sash Profile

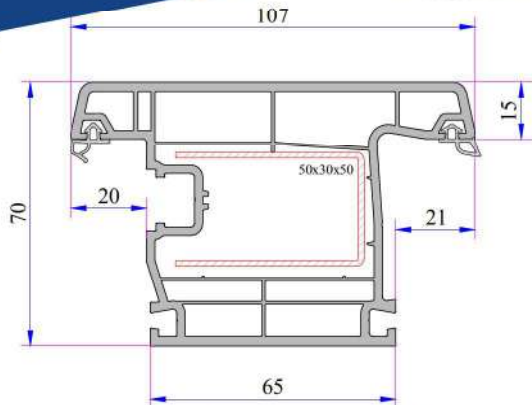
Code: P.A.750.2100.600.0.BC.03



Super Door Sash Profile

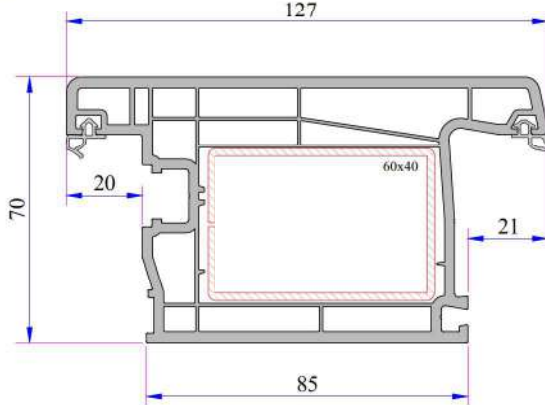
Code: P.A.750.2103.600.0.BC.03

W 790 SERIES PVC PROFILE SYSTEM



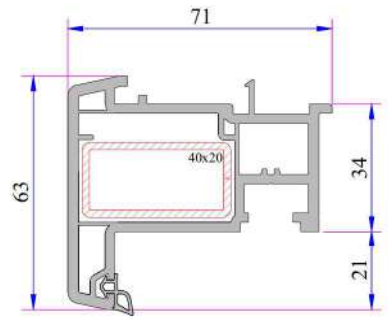
Outward Opening Door Sash Profile

Code: P.A.750.2101.600.0.BC.03



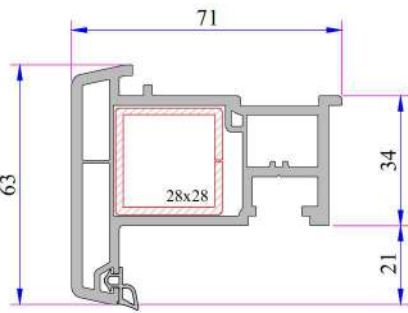
Outward Opening Super Door Sash Profile

Code: P.A.752.2104.600.0.BC.03



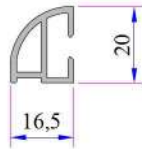
Static Lap Joint Profile (Spiked)

Code: P.A.750.3101.600.0.BC.19



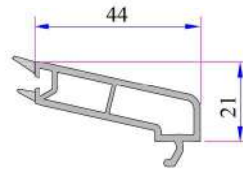
Lap Joint Profile

Code: P.A.750.3100.600.0.BC.19



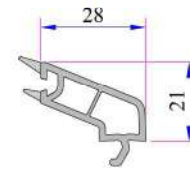
Offset Profile

Code: P.A.900.6307.600



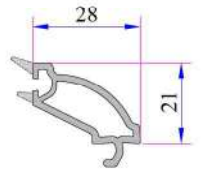
Single Glazing Bead 4-6mm

Code: P.A.750.4000.600.0.HC



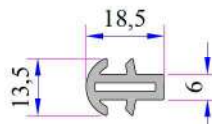
Double Glazing Bead 20 mm

Code: P.A.750.4100.600.0.HC



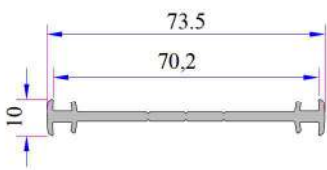
Double Glazing Bead 20 mm

Code: P.A.750.4102.600.0.HC



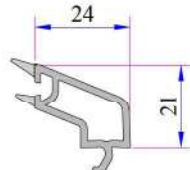
Short Coupling Profile

Code: P.A.099.5003.600



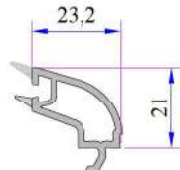
Narrow Coupling Profile

Code: P.A.070.5001.600



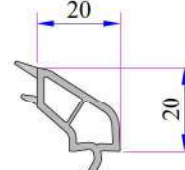
Double Glazing Bead 24 mm

Code: P.A.750.4200.600.0.HC



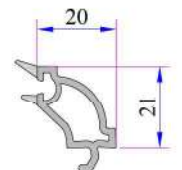
Double Glazing Bead 24 mm

Code: P.A.750.4204.600.0.HC



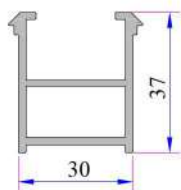
Double Glazing Bead 28 mm

Code: P.A.101.4100.600.0.HC



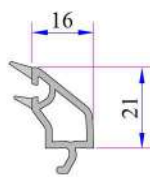
Dec. Double Glazing Bead 28 mm

Code: P.A.101.4102.600.0.HC



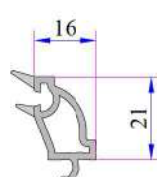
Frame Montage Profile

Code: P.A.060.5301.600.0.00.19



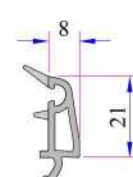
Triple Glazing Bead 32 mm

Code: P.A.750.4500.600.0.HC



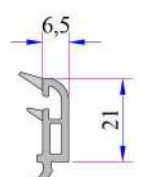
Triple Glazing Bead 32 mm

Code: P.A.101.4202.600.0.HC



Triple Glazing Bead 40 mm

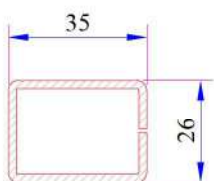
Code: P.A.101.4500.600.0.HC



Triple Glazing Bead 42 mm

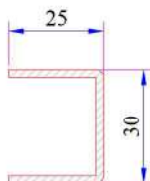
Code: P.A.532.4500.600.0.HC

W 790 Re-Inforcement Profiles



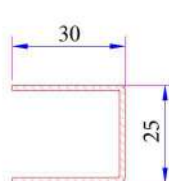
Frame - Mullion Profile Reinforcement

Code: 34022-12116



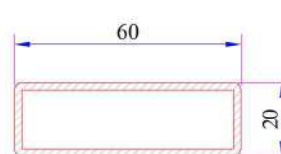
Sash - Offset Type Sash Profile Reinforcement

Code: 34022-12025



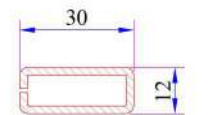
Mullion For Door Profile Reinforcement

Code: 34022-12004



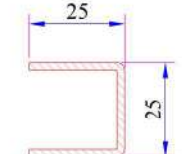
Static Mullion Profile Reinforcement

Code: 34022-12106



Eco Mullion Profile Reinforcement

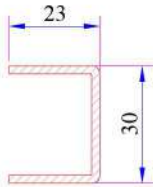
Code: 34022-12115



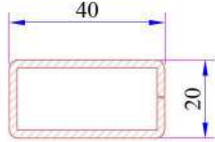
Outward Opening Sash Profile Reinforcement

Code: 34022-12003

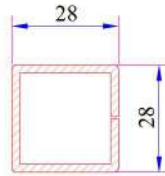
W 790 SERIES PVC PROFILE SYSTEM



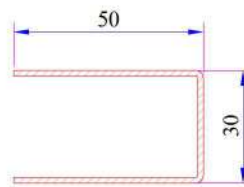
24 Axis Sash Profile Reinforcement
Code: 34022-12030



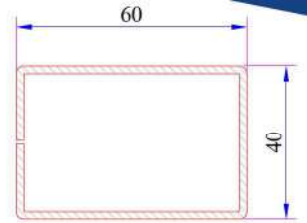
Static Lap Joint Profile Reinforcement
Code: 34022-12114



Lap Joint Profile Reinforcement
Code: 34022-12113

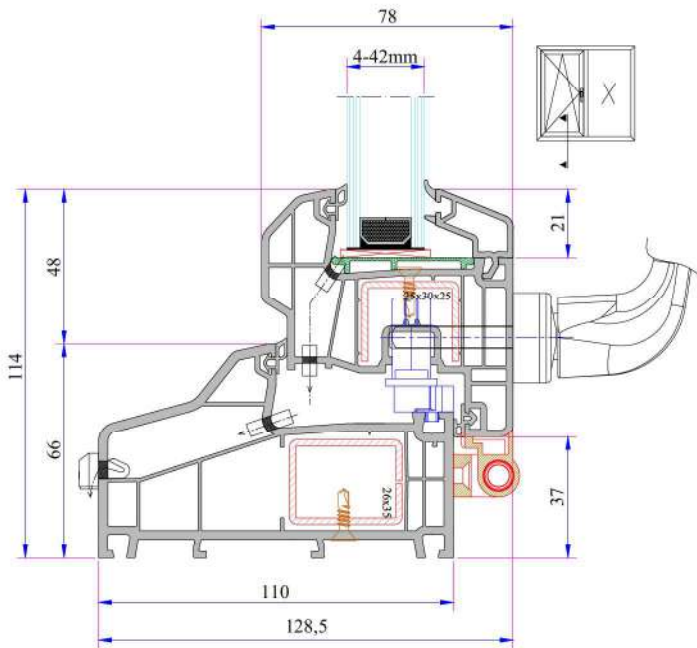


Door Sash - Outward Opening Door Sash Reinforcement
Code: 34022-12013

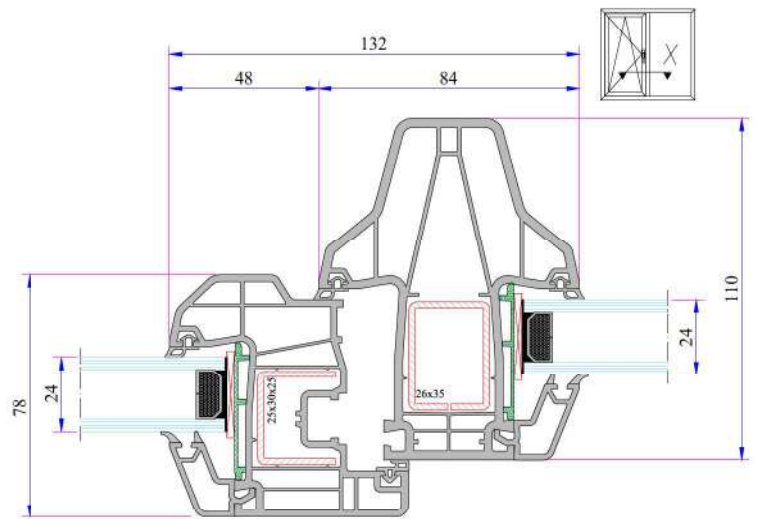


Super Door Sash - Outward Opening Super Door Sash Reinforcement
Code: 34022-12110

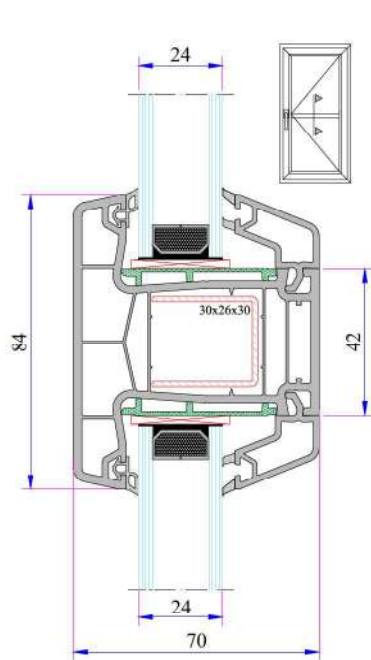
W 790 Installation



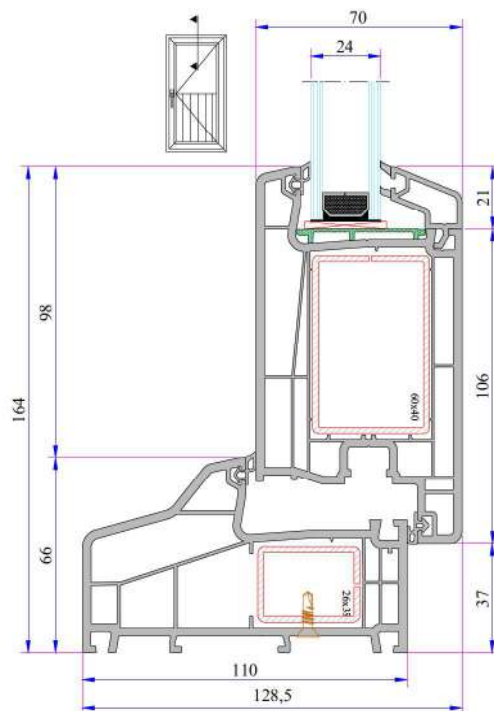
Frame - Sash Installation



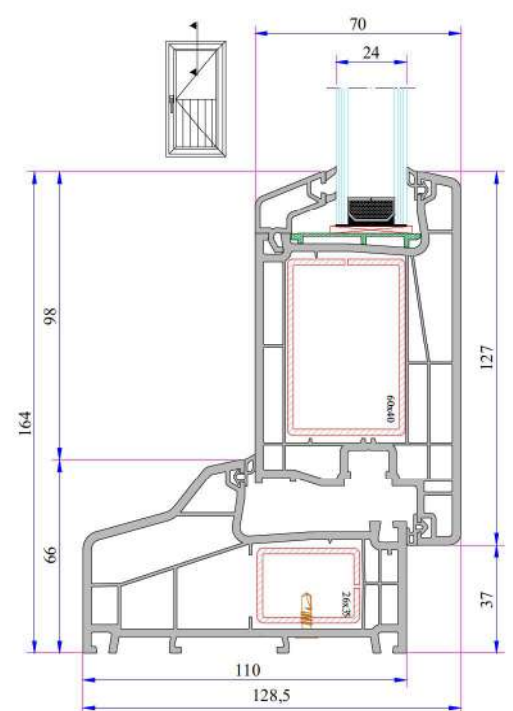
Mullion - Offset Type Sash Installation



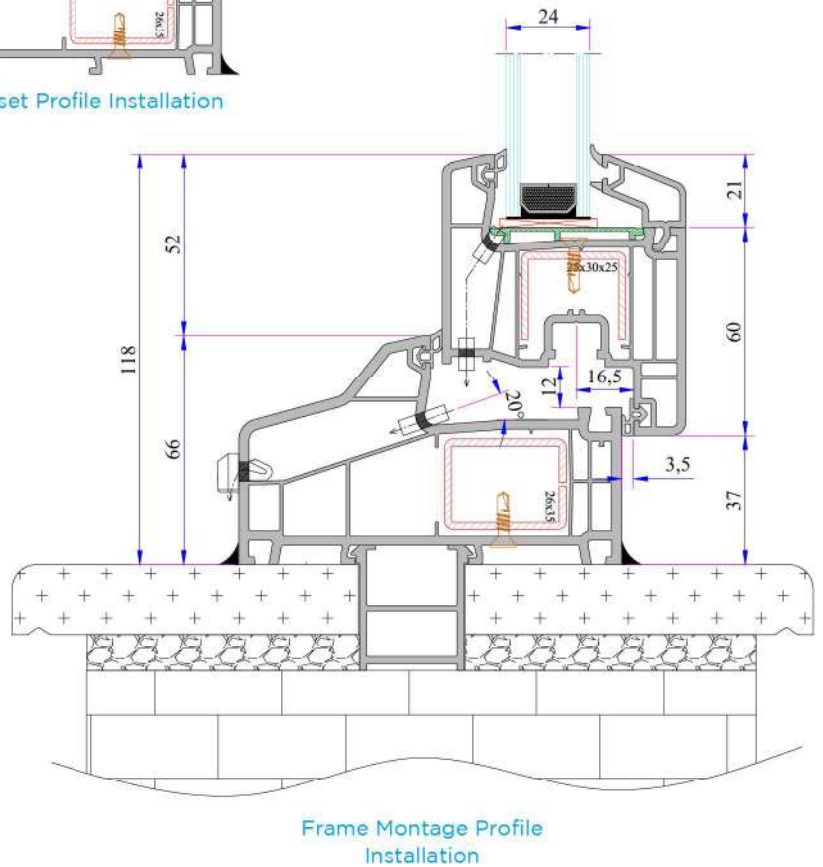
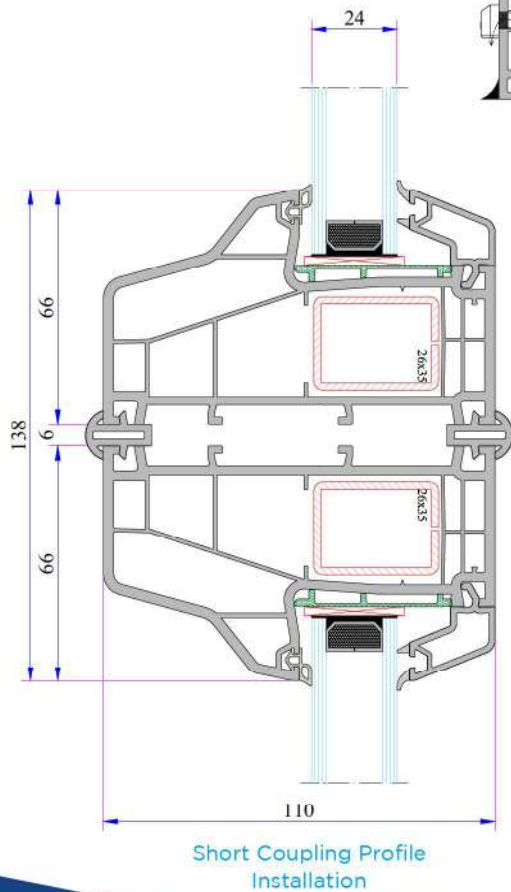
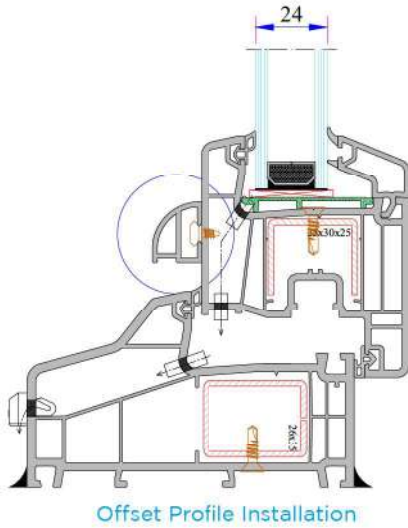
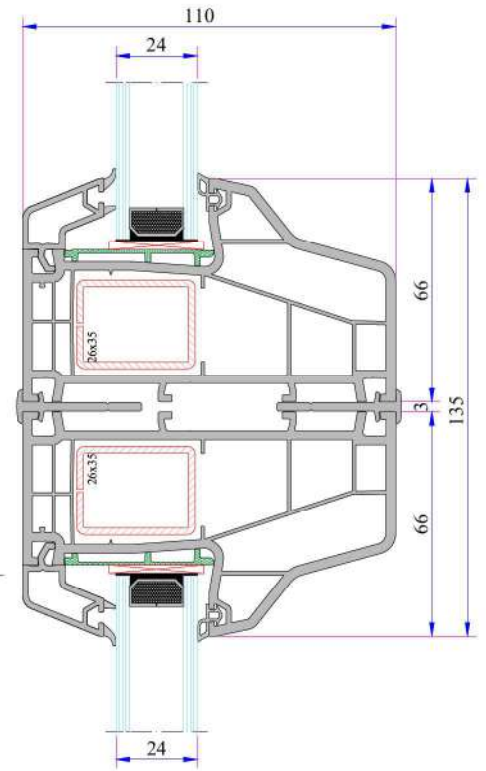
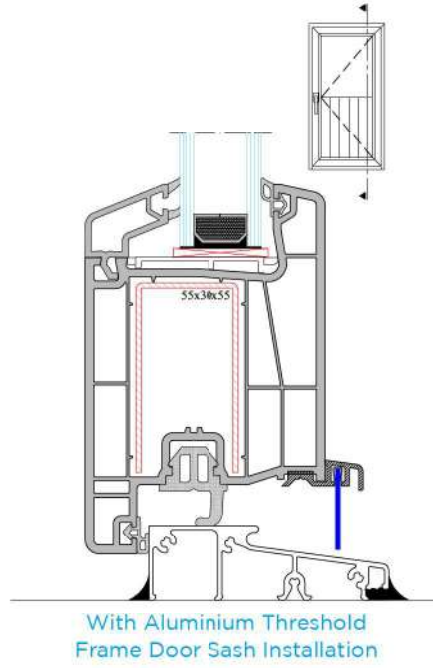
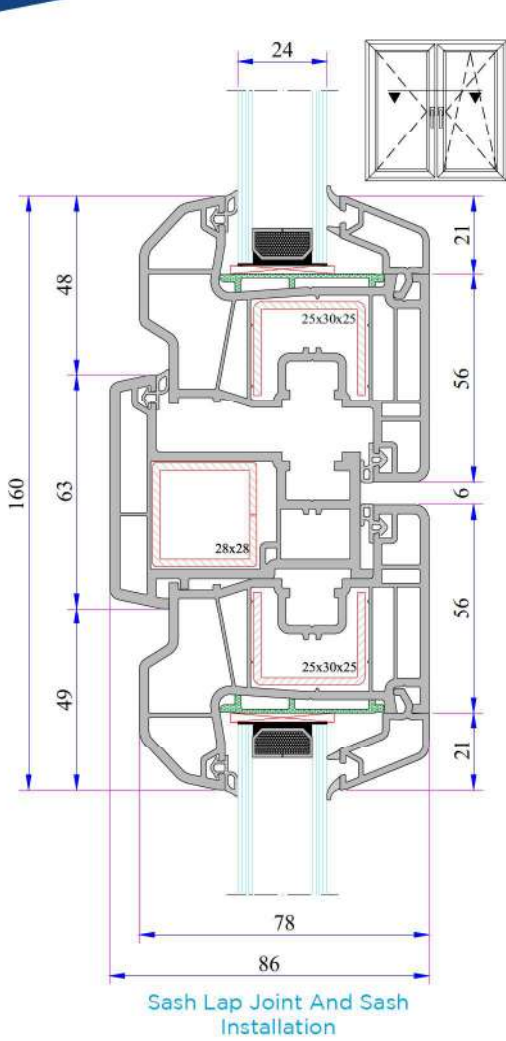
Mullion For Door Profile Installation



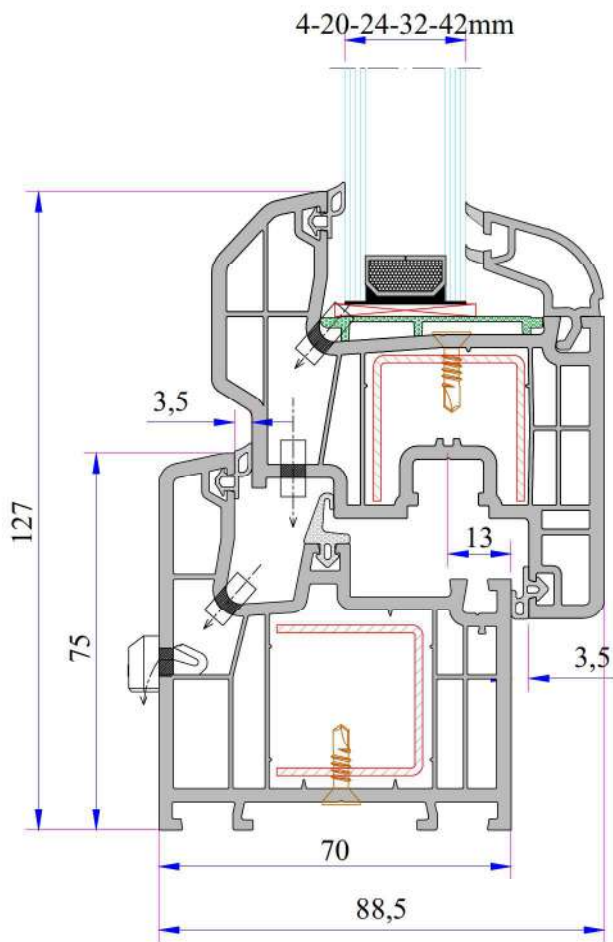
Frame - Super Door Sash Installation



Frame - Outward Opening Super Door Sash Installation







TECHNICAL

W 777 SERIES

Profile Width: 70 mm

Number of chambers: 5

Profile Class: A Class (TS EN 12608-1)

Seal Type: External / Internal triple seal system

Seal Type and Color: TPE - Grey /Black

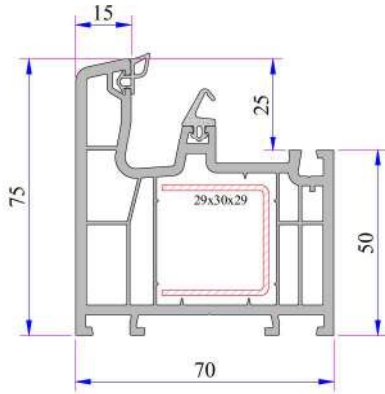
Glass Thickness (mm): 4, 20, 24, 28, 32, 40, 42 mm

The thermal insulation Uf: 1,22 W/m²K

INSTRUCTION

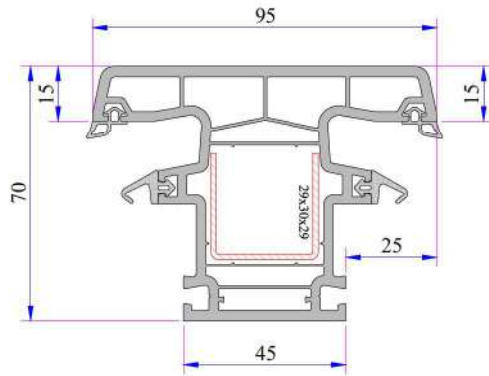
- The main profiles have 70 mm width.
- Because of the elastic grey and black seal which does not leave any stain on profiles will be provided maximum air, water, dust and sound isolation.
- Due to the 5 chambers profiles, it has maximum performance for thermal, sound and water isolation.
- It is a series of profiles with very special design that provides maximum wind resistance on high rise buildings.
- In addition to white profile a different laminated color range is available.
- 4-5 mm single glazing application of 20, 24, 28, 32, 40, 42 mm glazing beads give us alternatives of using double, triple glazing and panels.

W 777 SERIES PVC PROFILE SYSTEM



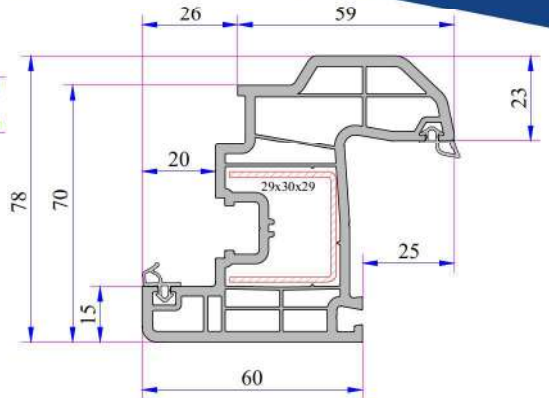
Frame Profile

Code: P.A.777.1000.600.0.BC.03



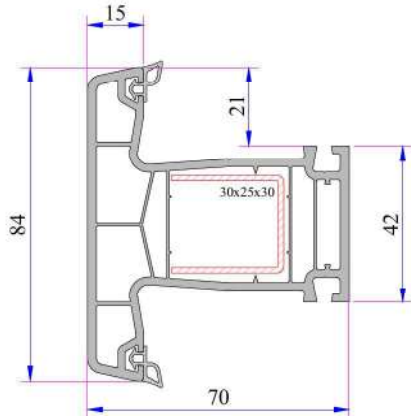
Mullion Profile

Code: P.A.777.3000.600.0.BC.03



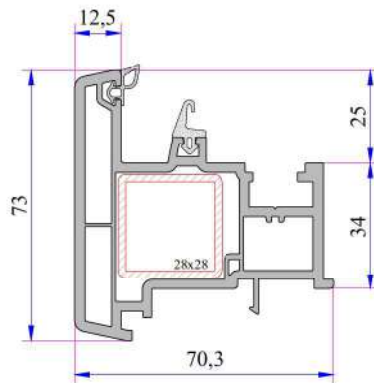
Offset Type Sash Profile

Code: P.A.777.2000.600.0.BC.03



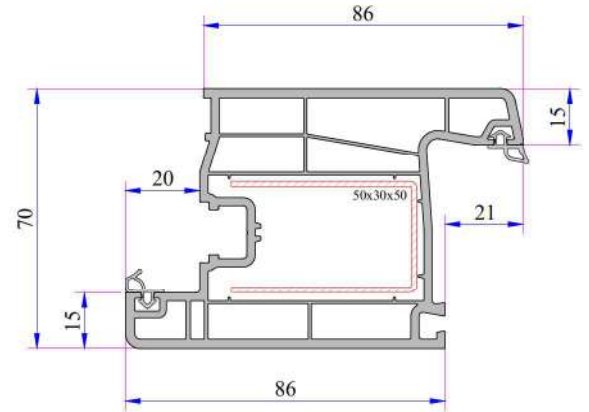
Mullion For Door Profile

Code: P.A.750.3000.600.0.BC.03



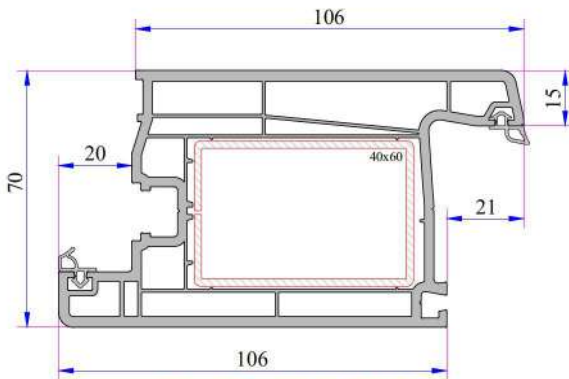
Lap Joint Profile

Code: P.A.777.3100.600.0.BC.19



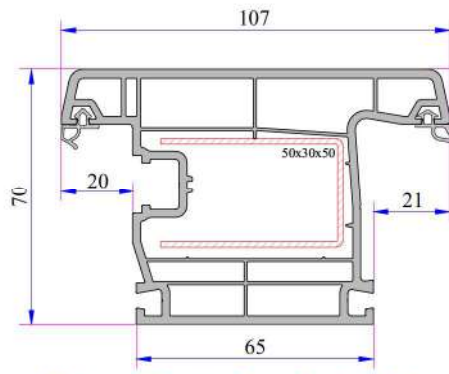
Door Sash Profile

Code: P.A.750.2100.600.0.BC.03



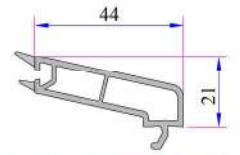
Super Door Sash Profile

Code: P.A.750.2103.600.0.BC.03



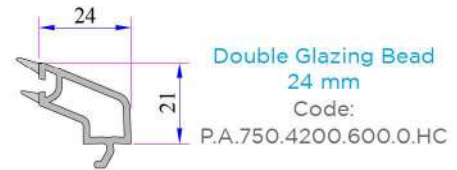
Outward Opening Door Sash Profile

Code: P.A.750.2101.600.0.BC.03



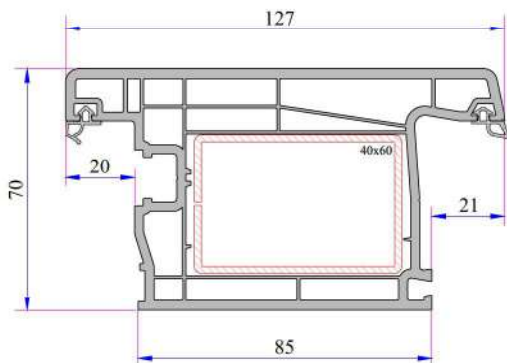
**Single Glazing Bead
4-6 mm**

Code:
P.A.750.4000.600.0.HC



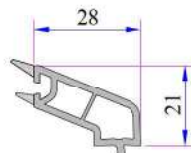
**Double Glazing Bead
24 mm**

Code:
P.A.750.4200.600.0.HC



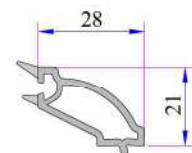
**Outward Opening Super Door
Sash Profile**

Code: P.A.752.2104.600.0.BC.03



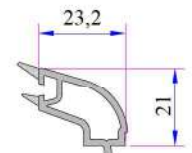
**Double Glazing Bead
20 mm**

Code:
P.A.750.4100.600.0.HC



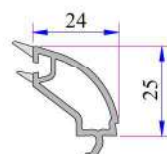
**Dec. Double Glazing
Bead 20 mm**

Code:
P.A.750.4102.600.0.HC



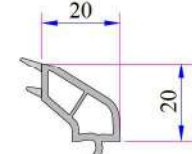
**Double Glazing Bead
24 mm**

Code:
P.A.750.4204.600.0.HC



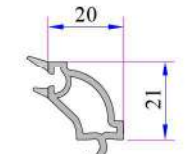
**Double Glazing Bead
24 mm**

Code:
P.A.777.4204.600.0.HC



**Double Glazing Bead
28 mm**

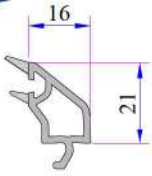
Code:
P.A.101.4100.600.0.HC



**Dec. Double Glazing
Bead 28 mm**

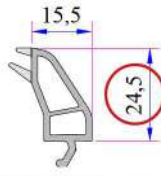
Code:
P.A.101.4102.600.0.HC

W 777 SERIES PVC PROFILE SYSTEM



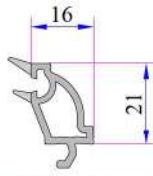
**Triple Glazing Bead
32 mm**

Code: P.A.750.4500.600.0.HC



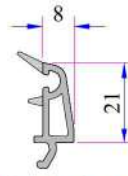
**Triple Glazing Bead
32 mm**

Code: P.A.777.4302.600.0.HC



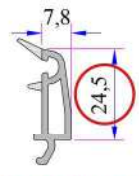
**Dec. Triple Glazing Bead
32 mm**

Code: P.A.101.4202.600.0.HC



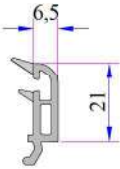
**Triple Glazing Bead
40 mm**

Code: P.A.101.4500.600.0.HC



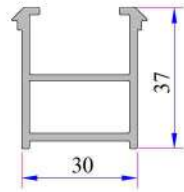
**Triple Glazing Bead
40 mm**

Code: P.A.433.4500.600.0.HC



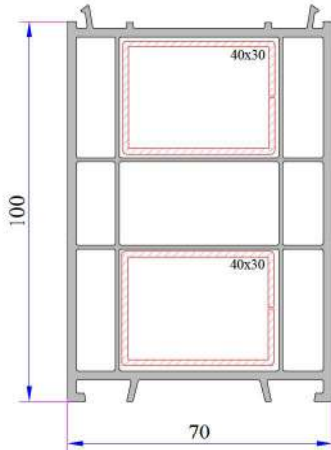
**Triple Glazing Bead
42 mm**

Code: P.A.532.4500.600.0.HC



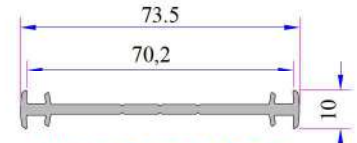
Frame Montage Profile

Code: P.A.060.5301.600.0.00.19



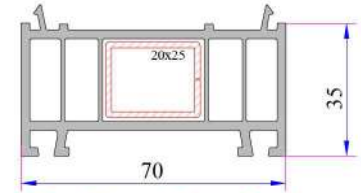
100mm Frame Lifting Profile

Code: P.A.070.5302.600.0.00.19



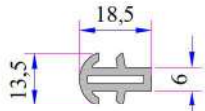
Narrow Coupling Profile

Code: P.A.070.5001.600



35mm Frame Lifting Profile

Code: P.A.070.5300.600.0.00.19



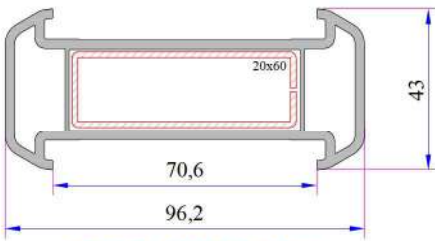
Short Coupling Profile

Code: P.A.099.5003.600



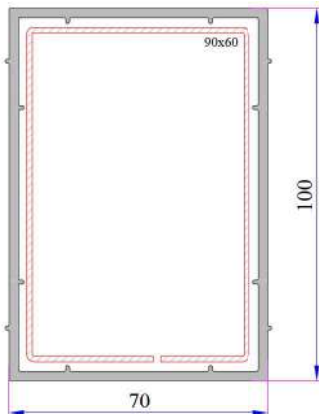
Offset Profile

Code: P.A.900.6307.600



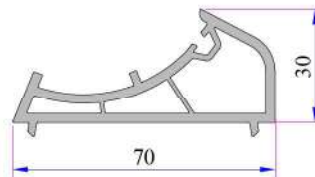
Large Coupling Profile

Code: P.A.070.5000.600.0.00.19



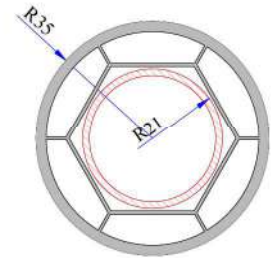
70x100 mm Box Profile

Code: P.A.070.5202.600.0.00.19



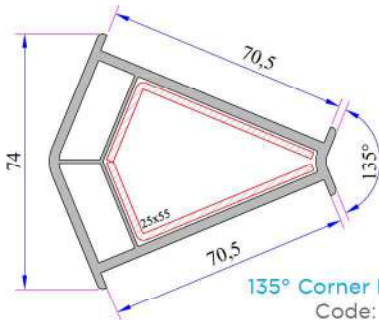
Corner Lag Profile

Code: P.A.070.5104.600.0.00.19



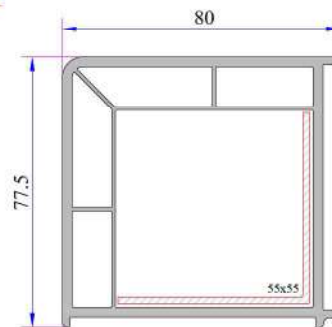
Pipe Profile

Code: P.A.070.5106.600



135° Corner Profile

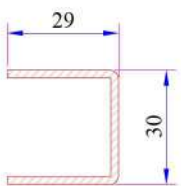
Code: P.A.070.5102.600.0.00.19



90° Corner Profile

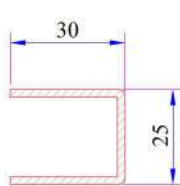
Code: P.A.070.5100.600.0.00.19

W 777 Re-Inforcement Profiles



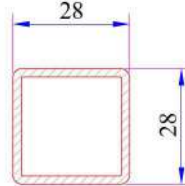
**Frame - Sash - Mullion
Reinforcement**

Code: 34022-12002



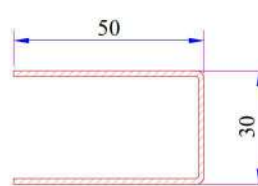
**Mullion For Door Profile
Reinforcement**

Code: 34022-12004



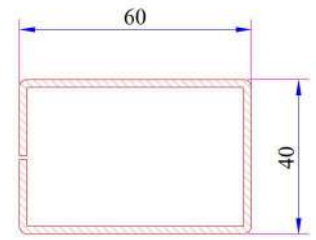
**Lap Joint Profile
Reinforcement**

Code: 34022-12113



**Door Sash - Outward
Opening Door Sash
Reinforcement**

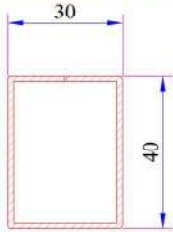
Code: 34022-12013



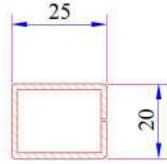
**Super Door Sash - Super
Outward Opening Door
Sash Reinforcement**

Code: 34022-12110

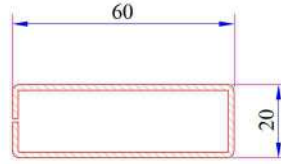
W 777 SERIES PVC PROFILE SYSTEM



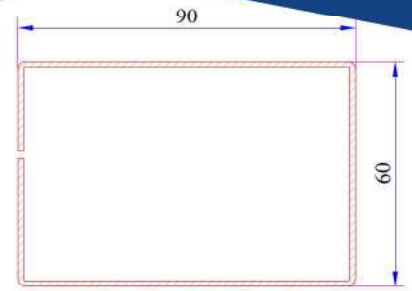
100mm Frame Lifting
Profile Reinforcement
Code: 34022-12120



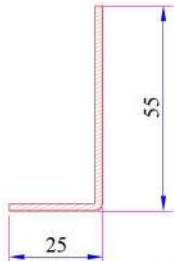
35mm Frame Lifting
Profile Reinforcement
Code: 34022-12104



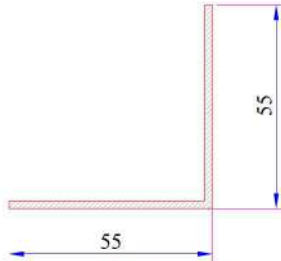
Large Coupling Profile
Reinforcement
Code: 34022-12106



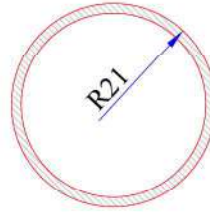
70x100mm Box Profile
Reinforcement
Code: 34022-12121



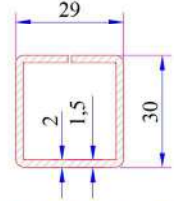
135° Corner Profile Reinforcement
Code: 34022-12303



90° Corner Profile Reinforcement
Code: 34022-12305

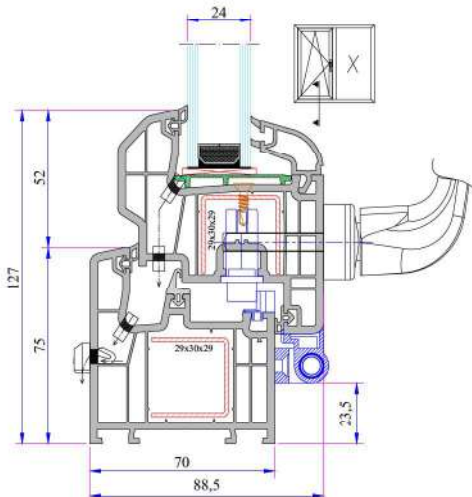


Pipe Profile Reinforcement
Code: 34022-12502

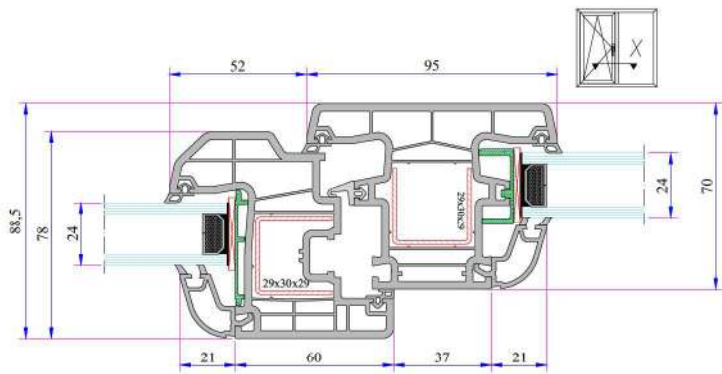


Mullion Profile Static
Reinforcement
Code: 34022-15129

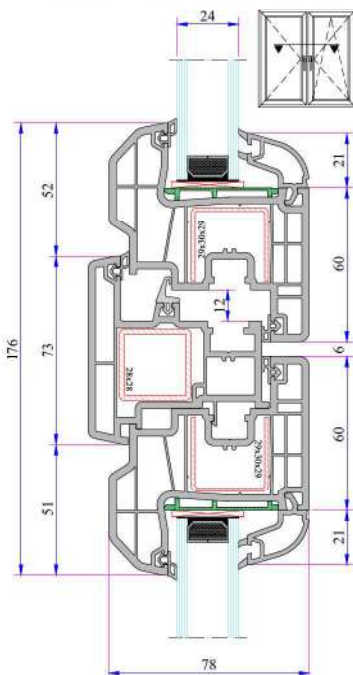
W 777 Installation



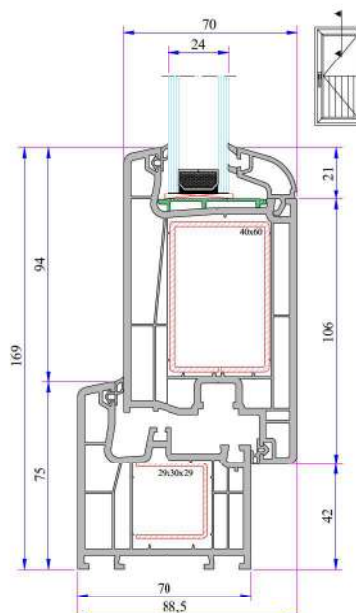
Frame - Offset Type Sash Installation



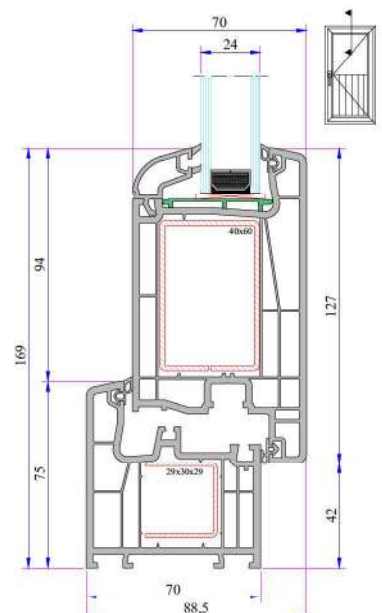
Mullion - Offset Type Sash Installation



Sash Lap Joint And Sash
Installation

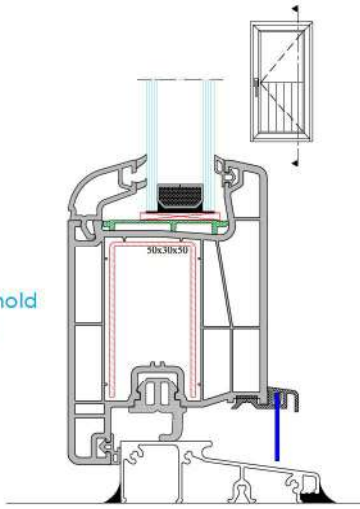


Frame - Super Door Sash
Installation

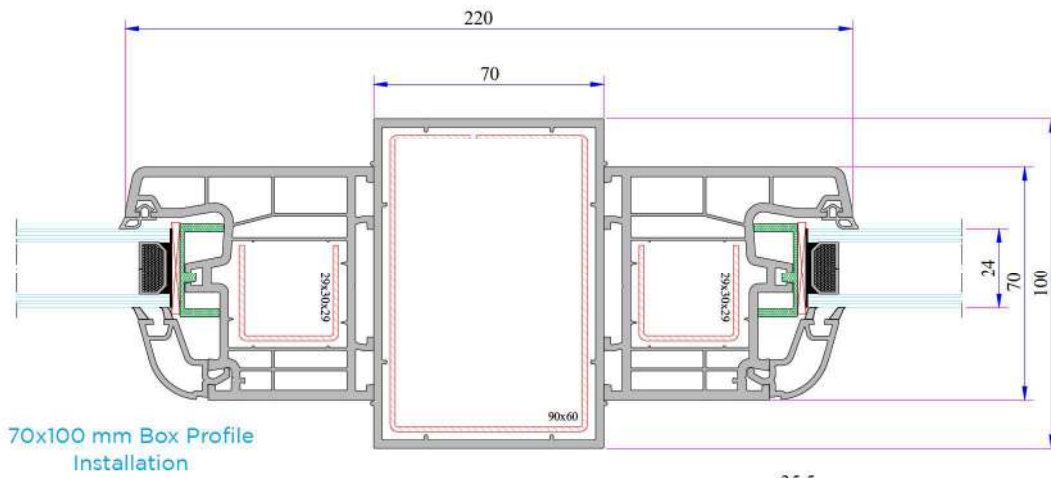
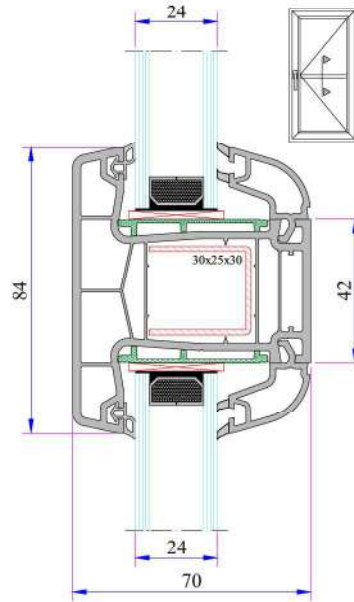


Frame - Super Outward Opening
Door Sash Installation

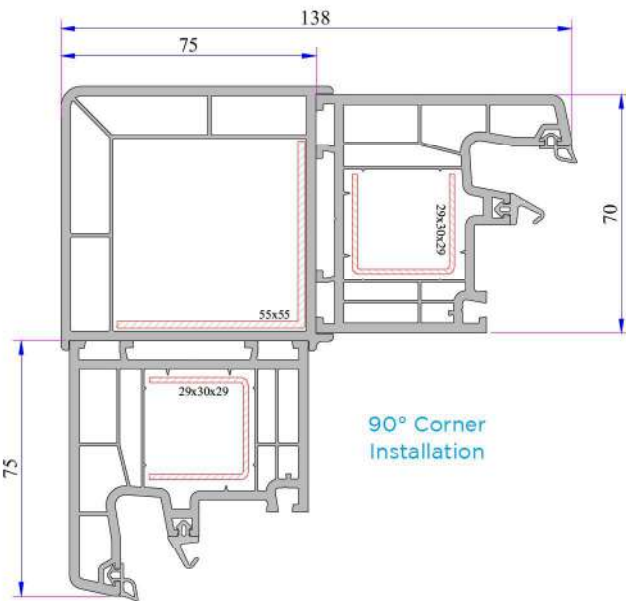
With Aluminium Threshold
Frame Door Sash
Installation



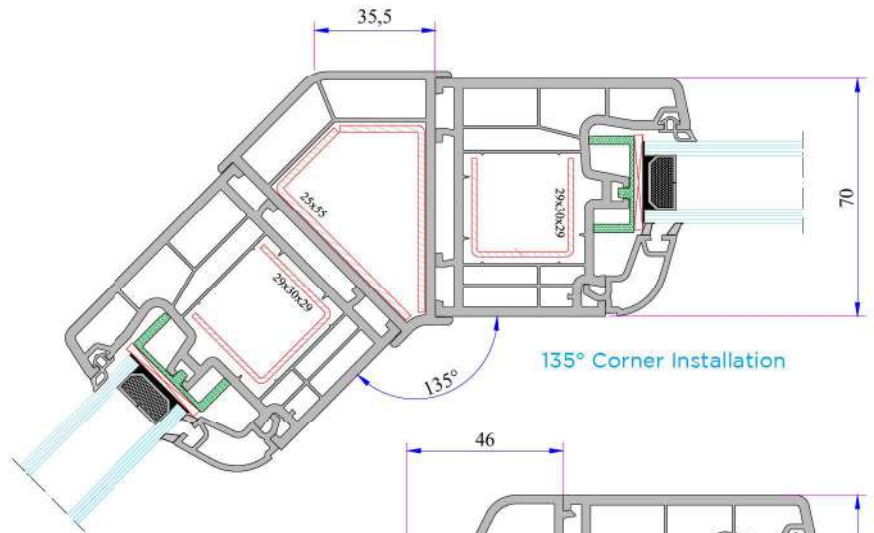
Door Sash Mullion
Installation



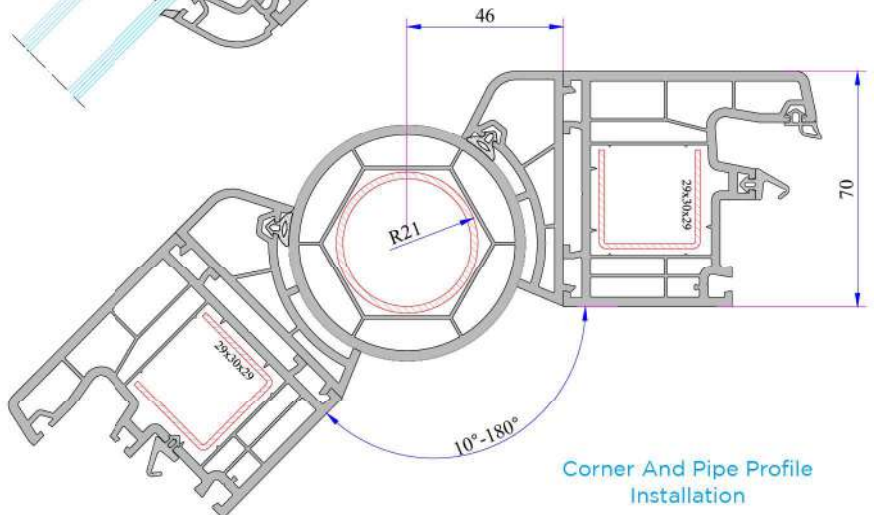
70x100 mm Box Profile
Installation



90° Corner
Installation

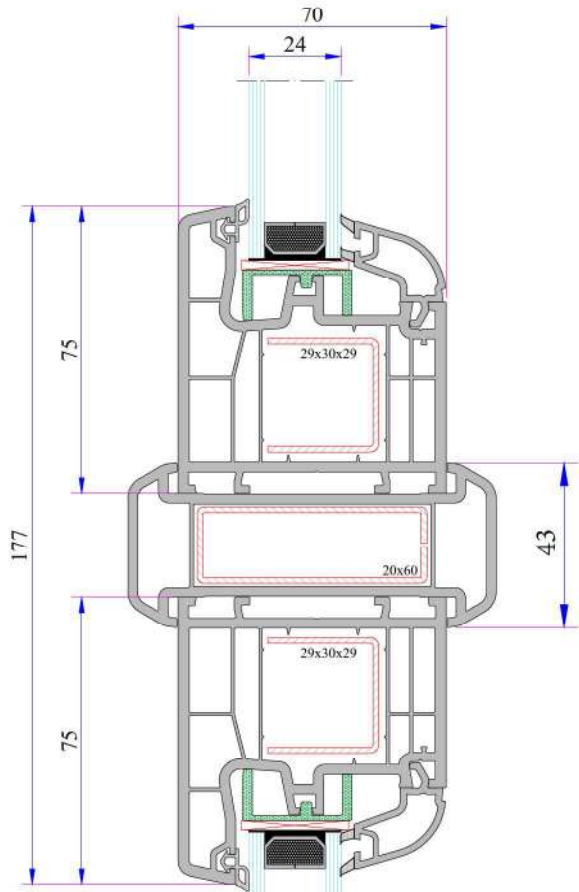


135° Corner Installation

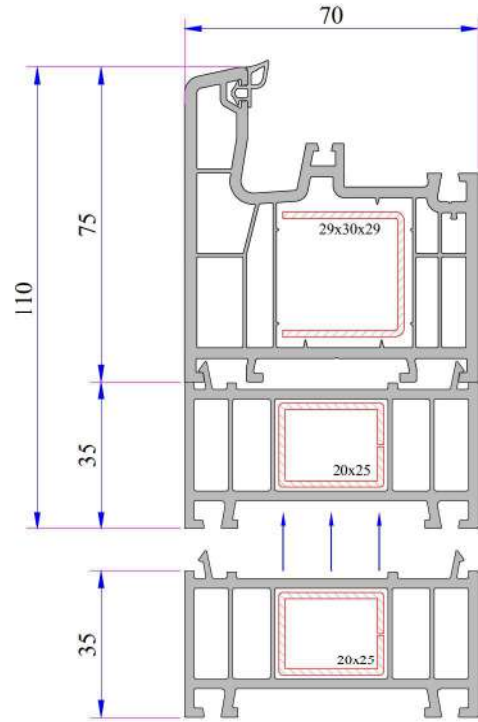


Corner And Pipe Profile
Installation

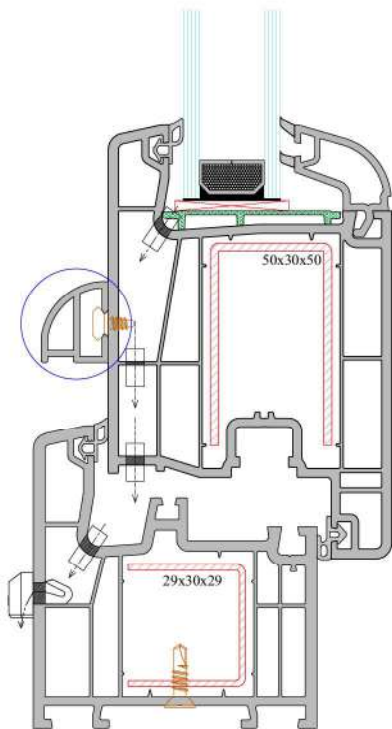
**W 777 SERIES
PVC PROFILE SYSTEM**



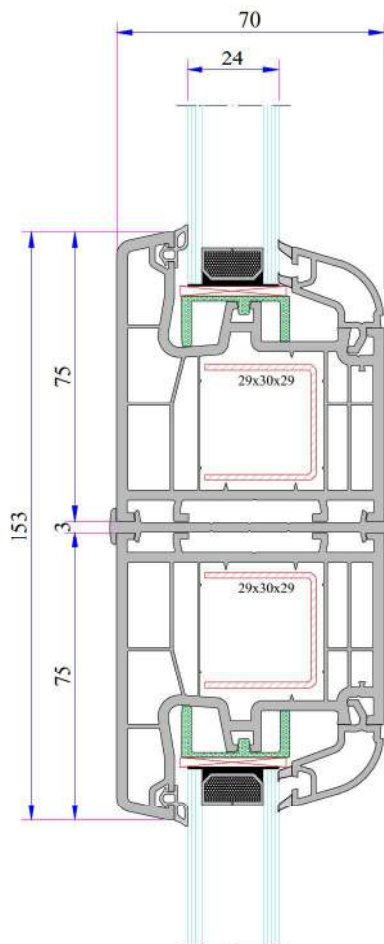
Large Coupling Profile Installation



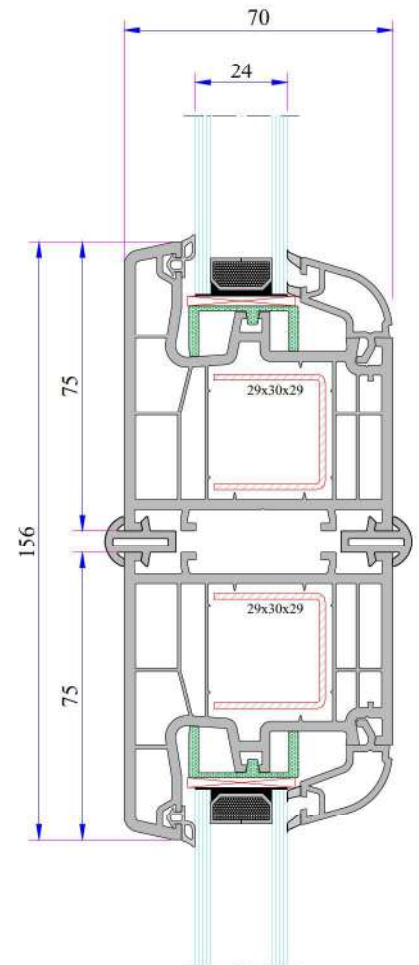
35 mm Frame Lifting Profile



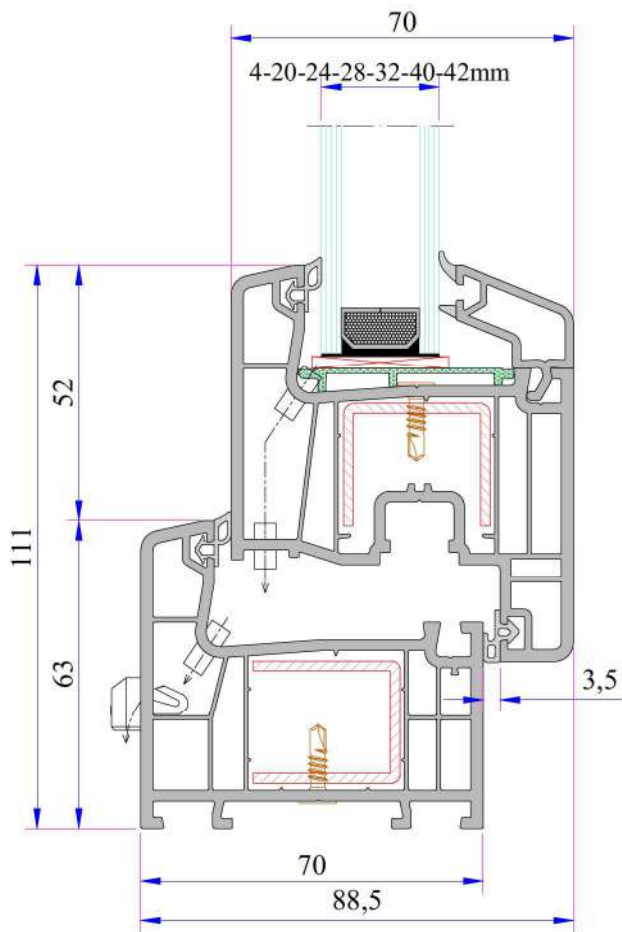
Offset Profile Installation



Narrow Coupling Profile Installation



Short Coupling Profile Installation



TECHNICAL

W 750 - 752 SERIES

Profile Width: 70 mm

Number of chambers: 5

Profile Class: W 752 A Class (TS EN 12608-1) / RAL 716-GZ

W 750 B Class (TS EN 12608-1)

Seal Type: External / Internal double seal system

Seal Type and Color: TPE - Grey /Black

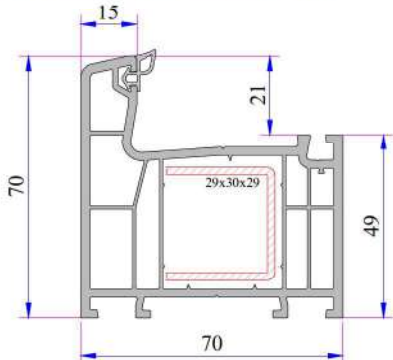
Glass Thickness (mm): 4, 20, 24, 28, 32, 40, 42 mm

The thermal insulation Uf: 1,30 W/m²K

INSTRUCTION

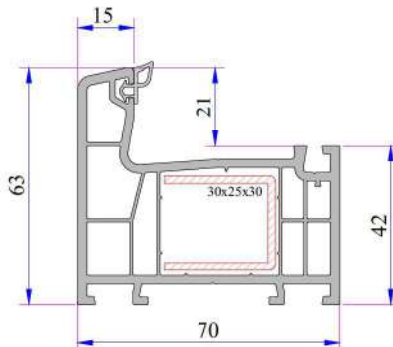
- The main profiles have 70 mm width.
- Because of the elastic grey and black seal which does not leave any stain on profiles will be provided maximum air, water, dust and sound isolation.
- Due to the 5 chambers profiles, it has maximum performance for thermal, sound and water isolation.
- It is a series of profiles with very special design that provides maximum wind resistance on high rise buildings.
- Excluding normal sash profile, there is also chance to have a choice for offset type sash profile.
- In addition to white profile a different laminated color range is available.
- 4-5 mm single glazing application of 20, 24, 28, 32, 40, 42 mm glazing beads give us alternatives of using double, triple glazing and panels.
- It provides the visual integrity in the inner surface and the frame-wall connections due to integrated frame with sill profile.

W 750 - W 752 SERIES PVC PROFILE SYSTEM



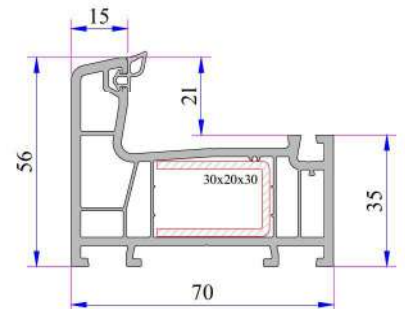
Super Frame Profile

Code: P.A.750.1001.600.0.BC.03



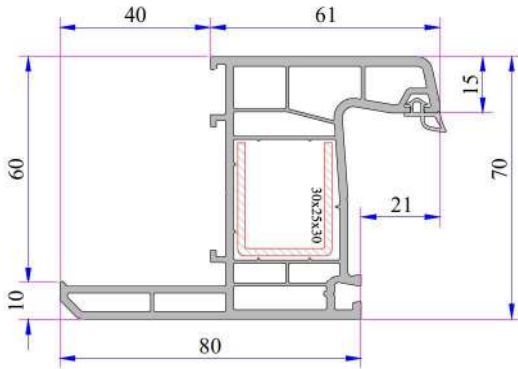
Frame Profile

Code: P.A.750.1000.600.0.BC.03



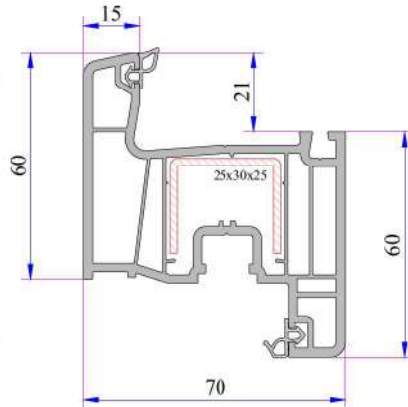
Eco Frame Profile

Code: P.A.750.1003.600.0.BC.03



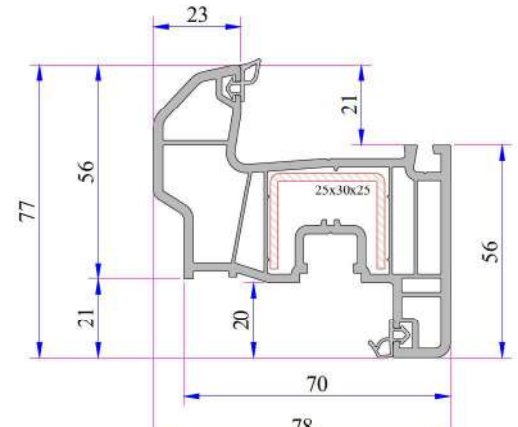
Frame Profile With Sill

Code: P.A.750.1200.600.0.BC.03



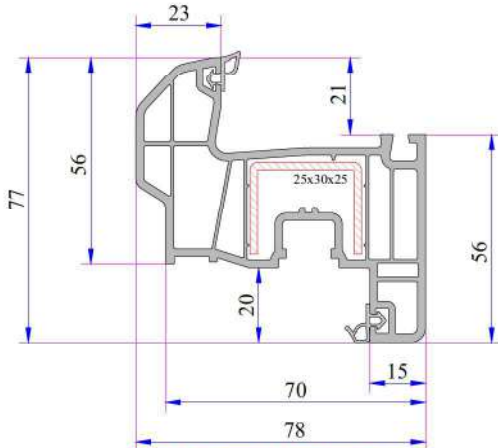
Sash Profile

Code: P.A.750.2000.600.0.BC.03



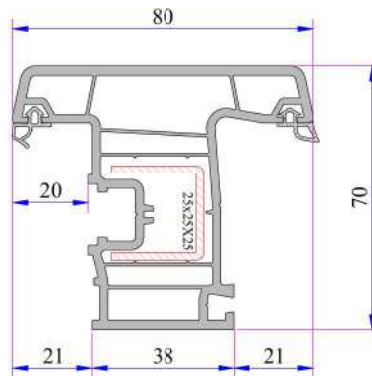
Offset Type Sash Profile

Code: P.A.750.2200.600.0.BC.03



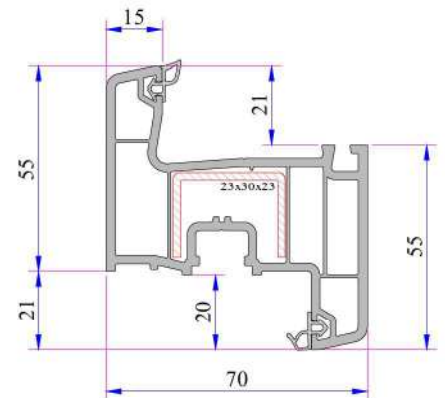
**Offset Type Sash Profile
(6 Chambers)**

Code: P.A.750.2205.600.0.BC.03



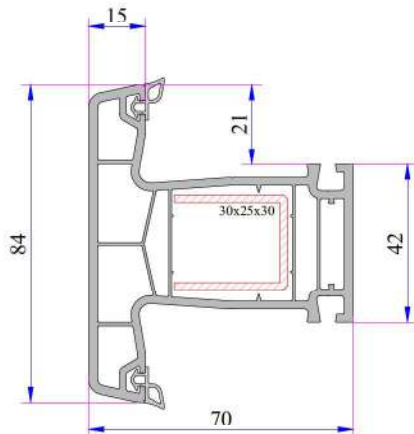
Outward Opening Sash Profile

Code: P.A.750.2001.600.0.BC.03



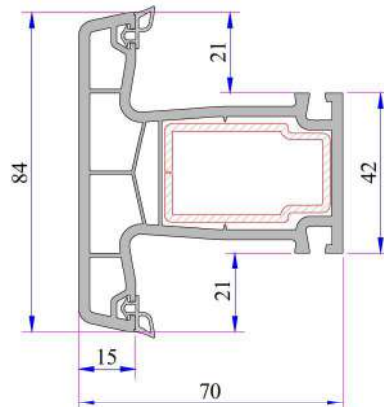
24 Axis Sash Profile

Code: P.A.750.2003.600.0.BC.03



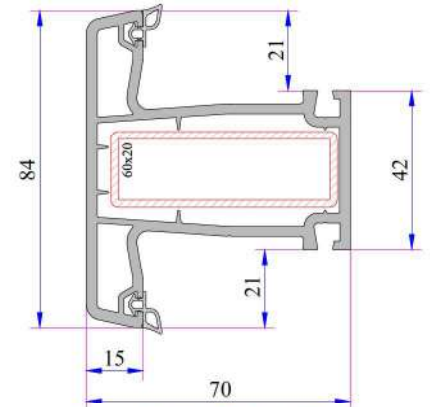
Mullion Profile

Code: P.A.750.3000.600.0.BC



Static Mullion Profile

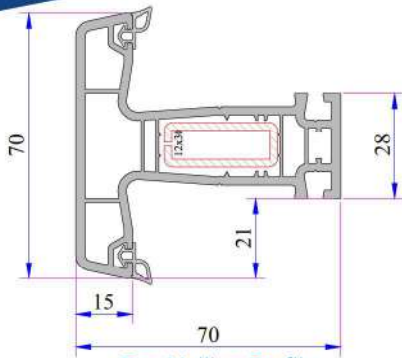
Code: P.A.750.3007.600.0.BC.03



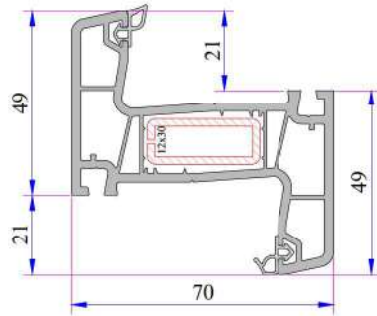
Super Static Mullion Profile

Code: P.A.750.3009.600.0.BC.03

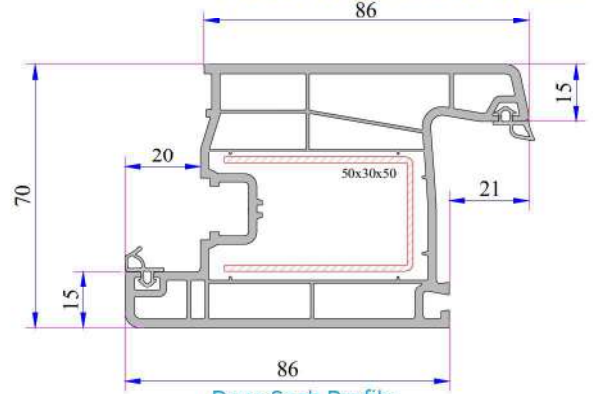
W 750 - W 752 SERIES PVC PROFILE SYSTEM



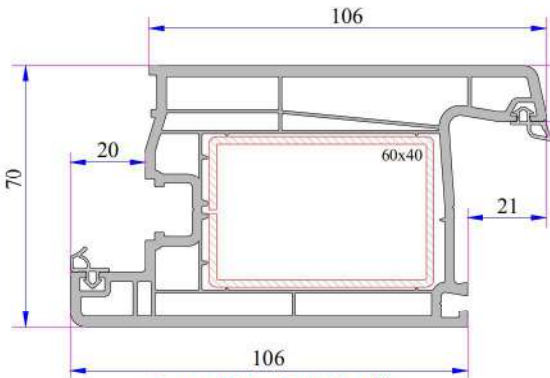
Eco Mullion Profile
Code: P.A.750.3006.600.0.BC.03



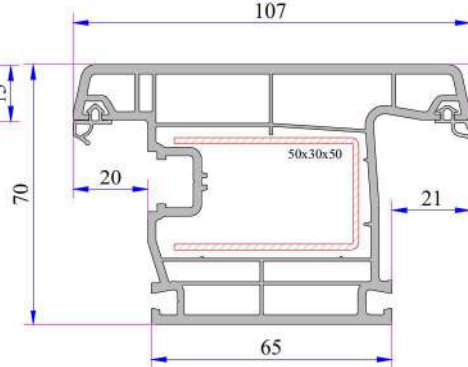
Outward Opening Mullion Profile
Code: P.A.750.3005.600.0.BC.03



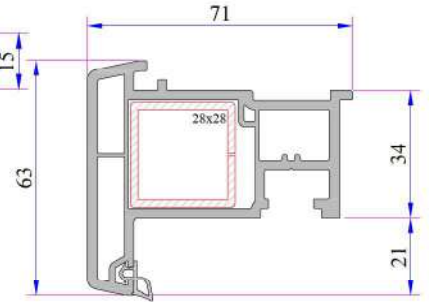
Door Sash Profile
Code: P.A.750.2100.600.0.BC.03



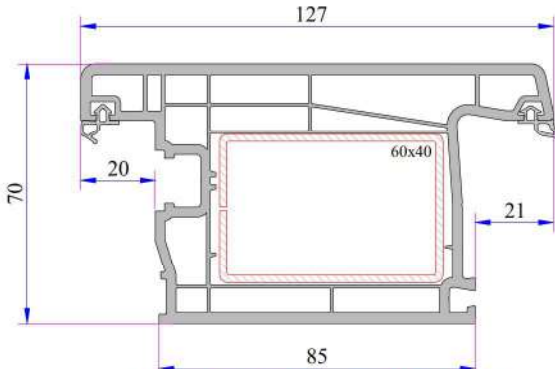
Super Door Sash Profile
Code: P.A.750.2103.600.0.BC.03



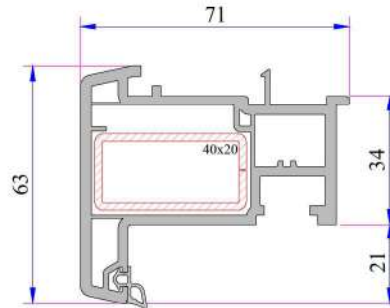
Outward Opening Door Sash Profile
Code: P.A.750.2101.600.0.BC.03



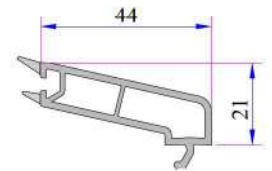
Lap Joint Profile
Code:
P.A.750.3100.600.0.BC.19



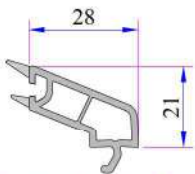
Outward Opening Super Door Sash Profile
Code: P.A.752.2104.600.0.BC.03



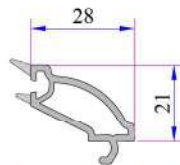
Static Lap Joint Profile (Spiked)
Code: P.A.750.3101.600.0.BC.19



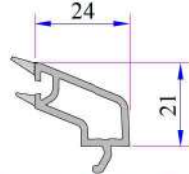
Single Glazing Bead 4-6 mm
Code:
P.A.750.4000.600.0.HC



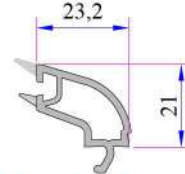
Double Glazing Bead 20 mm
Code:
P.A.750.4100.600.0.HC



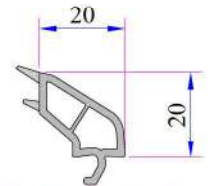
Decorative Double Glazing Bead 20 mm
Code:
P.A.750.4102.600.0.HC



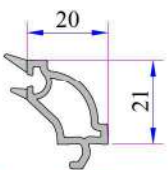
Double Glazing Bead 24 mm
Code:
P.A.750.4200.600.0.HC



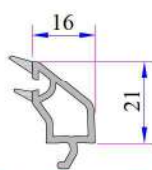
Decorative Double Glazing Bead 24 mm
Code:
P.A.750.4204.600.0.HC



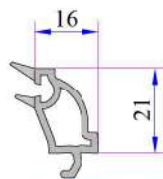
Double Glazing Bead 28 mm
Code:
P.A.101.4100.600.0.HC



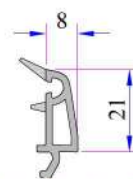
Decorative Double Glazing Bead 28 mm
Code:
P.A.101.4102.600.0.HC



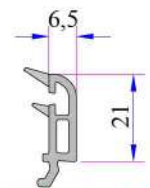
Triple Glazing Bead 32 mm
Code:
P.A.750.4500.600.0.HC



Decorative Triple Glazing Bead 32 mm
Code:
P.A.101.4202.600.0.HC

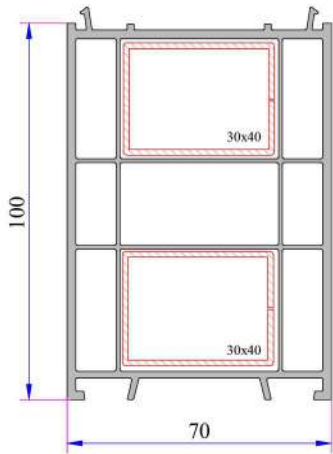


Triple Glazing Bead 40 mm
Code:
P.A.532.4400.600.0.HC

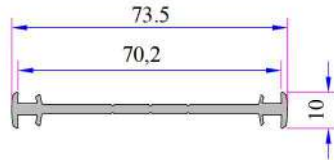


Triple Glazing Bead 42 mm
Code:
P.A.532.4500.600.0.HC

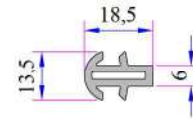
W 750 - W 752 SERIES PVC PROFILE SYSTEM



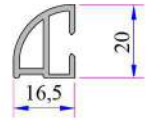
100mm Frame Lifting Profile
Code: P.A.070.5302.600.0.00.19



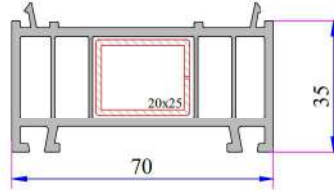
Narrow Coupling Profile
Code: P.A.070.5001.600



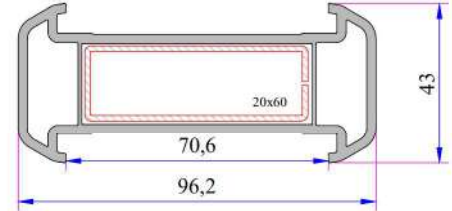
Short Coupling Profile
Code: PA.099.5003.600



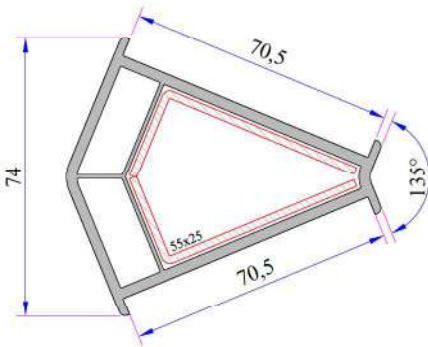
Offset Profile
Code: P.A.900.6307.600



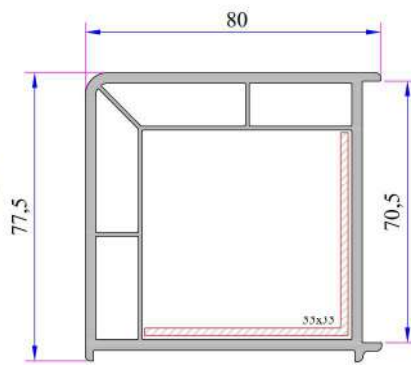
35mm Frame Lifting Profile
Code: P.A.070.5300.600.0.00.19



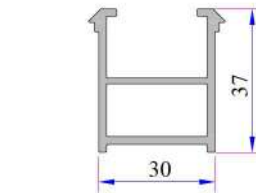
Large Coupling Profile
Code: P.A.070.5000.600.0.00.19



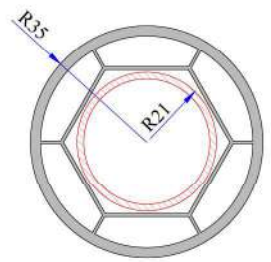
135° Corner Profile
Code: P.A.070.5102.600.0.00.19



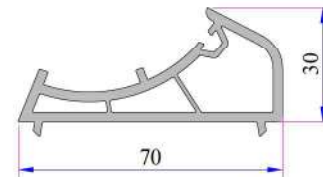
90° Corner Profile
Code: P.A.070.5100.600.0.00.19



Frame Montage Profile
Code: P.A.070.5301.600.0.00.19

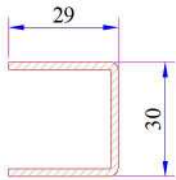


Pipe Profile
Code: P.A.070.5106.600

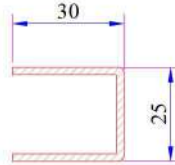


Corner Lag Profile
Code: P.A.070.5104.600.0.00.19

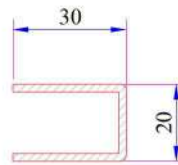
W 750 - 752 Re-Inforcement Profiles



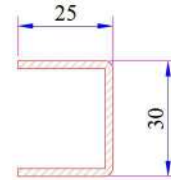
Super Frame Profile Reinforcement
Code: 34022-12002



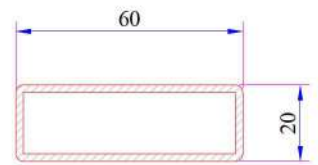
Frame - Frame with Sill - Mullion Profile Reinforcement
Code: 34022-12004



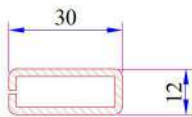
Eco Frame Profile Reinforcement
Code: 34022-12006



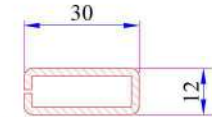
Sash - Offset Type Sash Profile Reinforcement
Code: 34022-12025



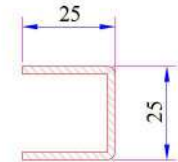
Static Mullion Profile Reinforcement
Code: 34022-12106



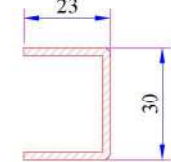
Eco Mullion Profile Reinforcement
Code: 34022-12115



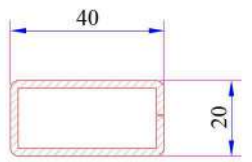
Outward Opening Mullion Profile Reinforcement
Code: 34022-12115



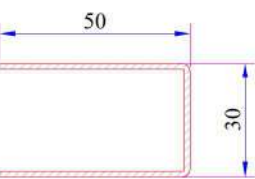
24 Axis. Sash Profile Reinforcement
Code: 34022-12003



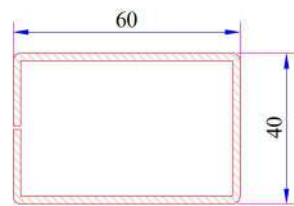
Outward Opening Sash Profile Reinforcement
Code: 34022-12030



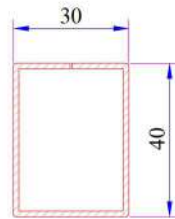
Static Lap Joint Profile Reinforcement
Code: 34022-12114



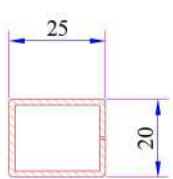
Door Sash - Outward Opening Door Sash Profile Reinforcement
Code: 34022-12013



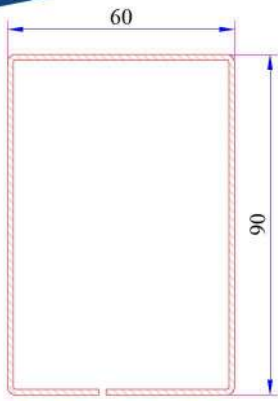
Super Door Sash - Outward Opening Super Door Sash Profile Reinforcement
Code: 34022-12110



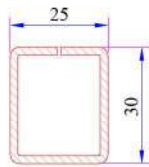
100mm Frame Lifting Profile Reinforcement
Code: 34022-12120



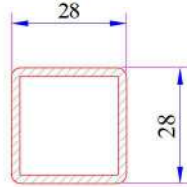
35mm Frame Lifting Profile Reinforcement
Code: 34022-12104



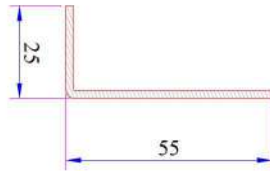
70x100mm Box Profile Reinforcement
Code: 34022-12121



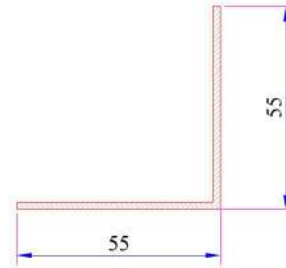
Mullion Profile Static Reinforcement
Code: 34022-12119



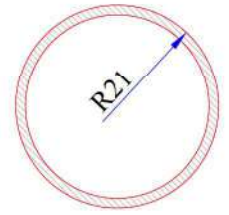
Lap Joint Profile Reinforcement
Code: 34022-12113



135° Corner Profile Reinforcement
Code: 34022-12303

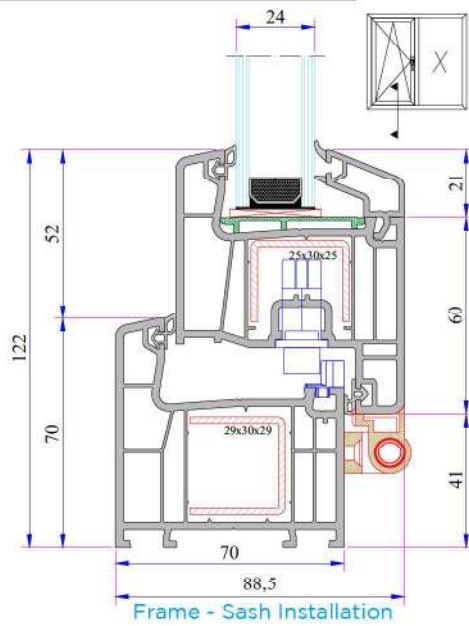


90° Corner Profile Reinforcement
Code: 34022-12305

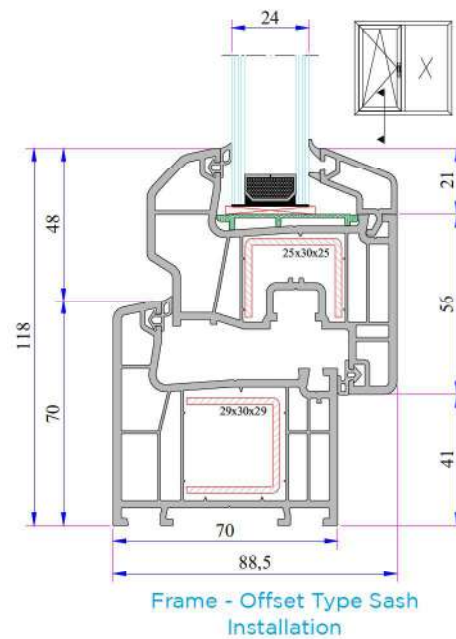


Pipe Profile Reinforcement
Code: 34022-12502

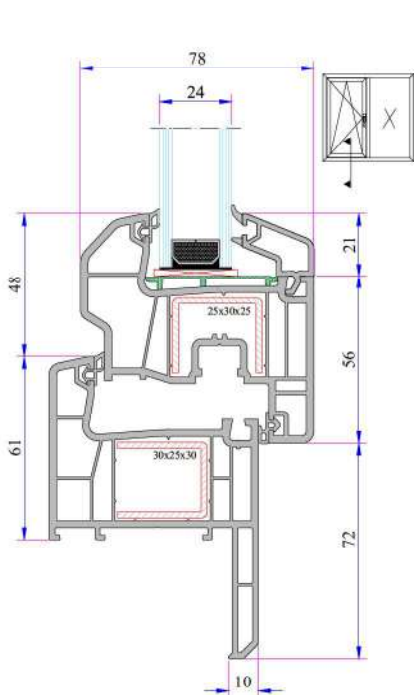
W 750 - 752 Installation



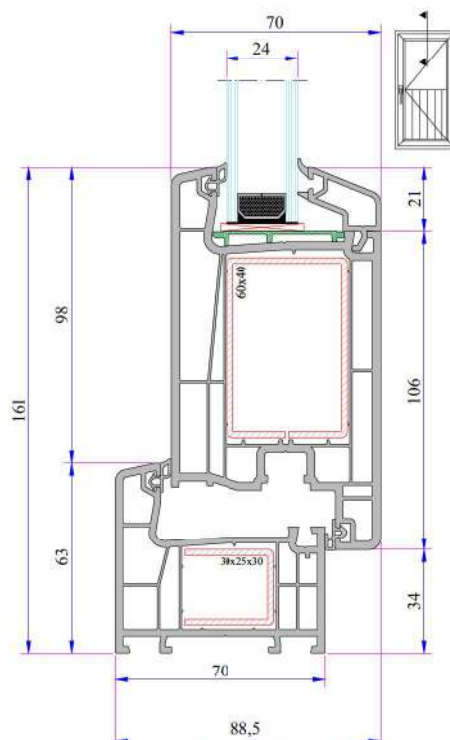
Frame - Sash Installation



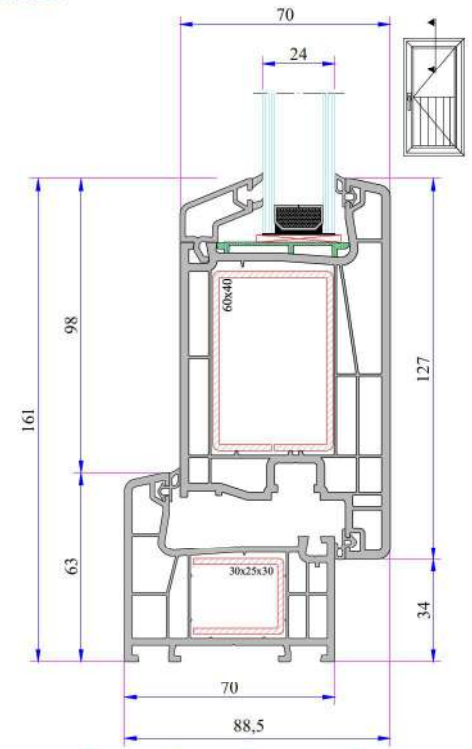
Frame - Offset Type Sash Installation



Frame With Sill - Sash Installation

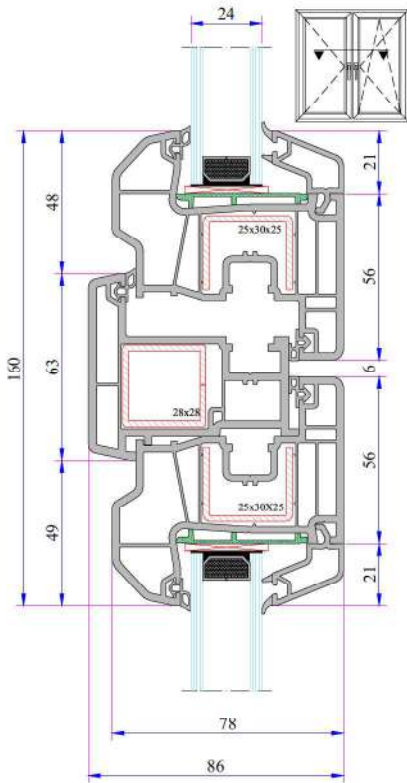


Frame - Super Door Sash Installation

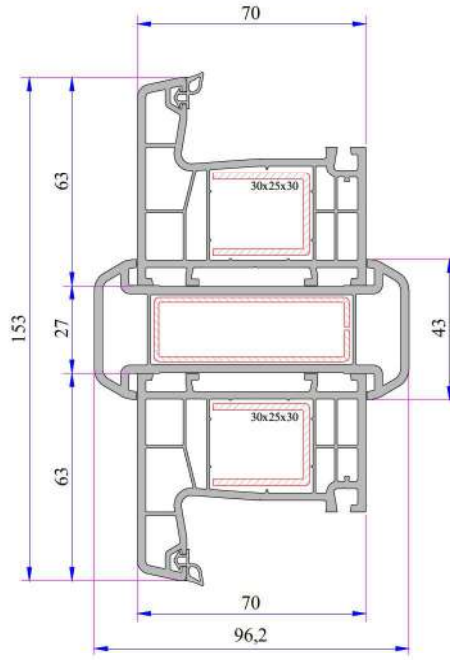


Frame - Super Outward Opening Door Sash Installation

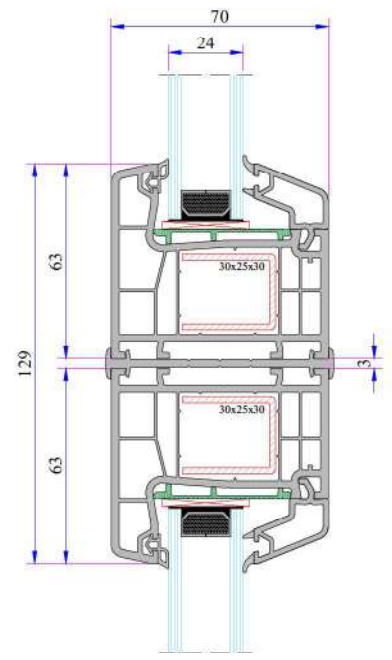
**W 750 - W 752 SERIES
PVC PROFILE SYSTEM**



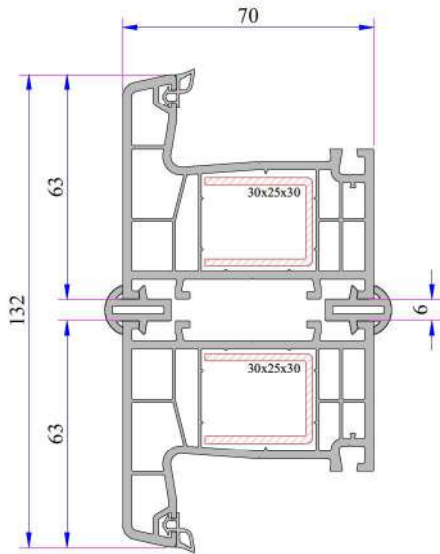
Sash - Lap Joint - Sash Profile Installation



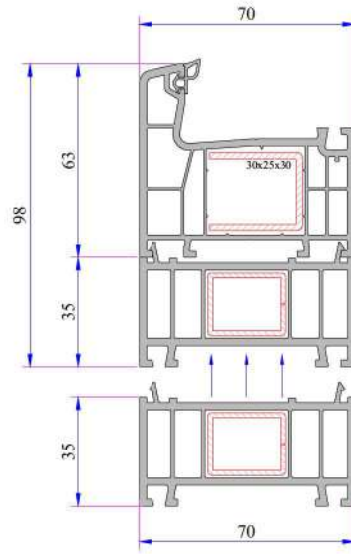
Large Coupling Profile Installation



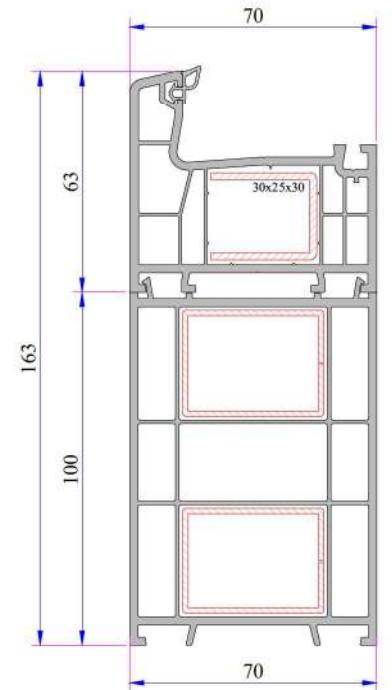
Narrow Coupling Profile Installation



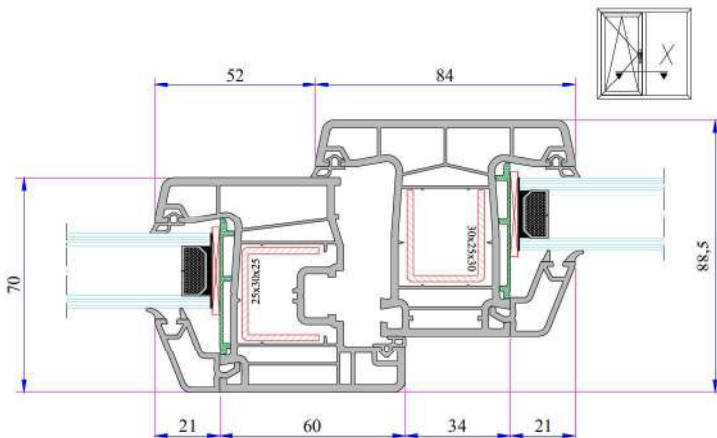
Short Coupling Profile Installation



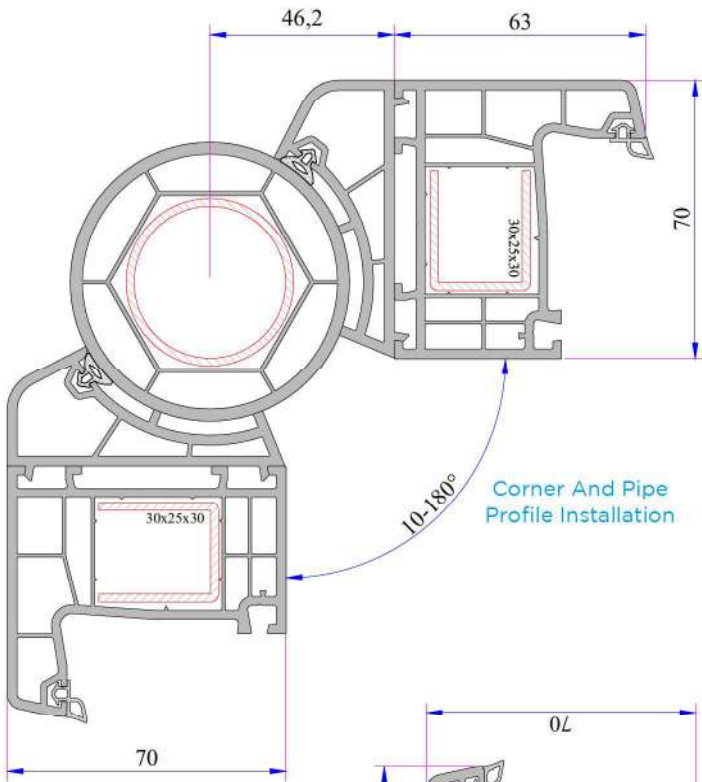
35mm Frame Lifting Profile Installation



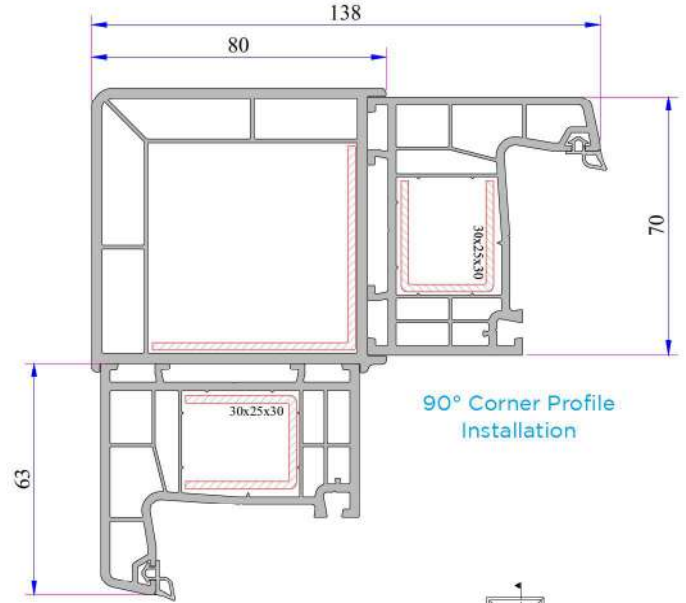
100mm Frame Lifting Profile Installation



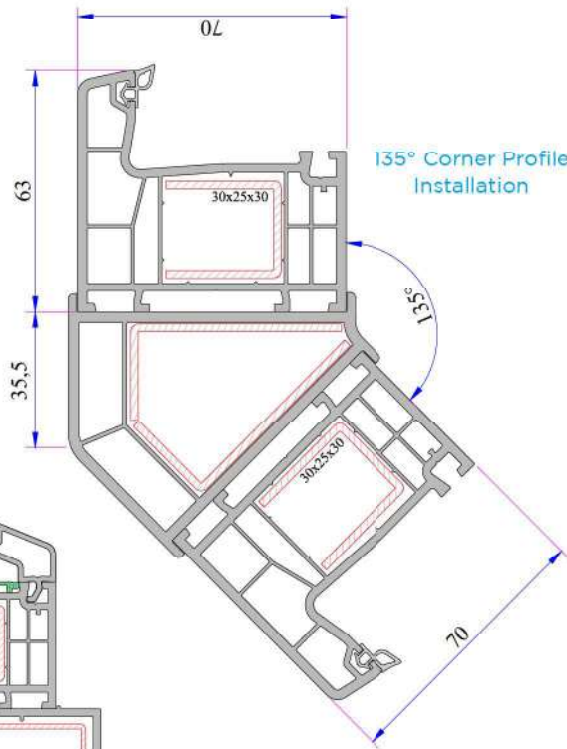
Mullion - Sash Installation



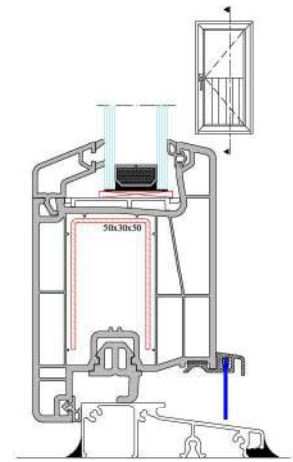
Corner And Pipe Profile Installation



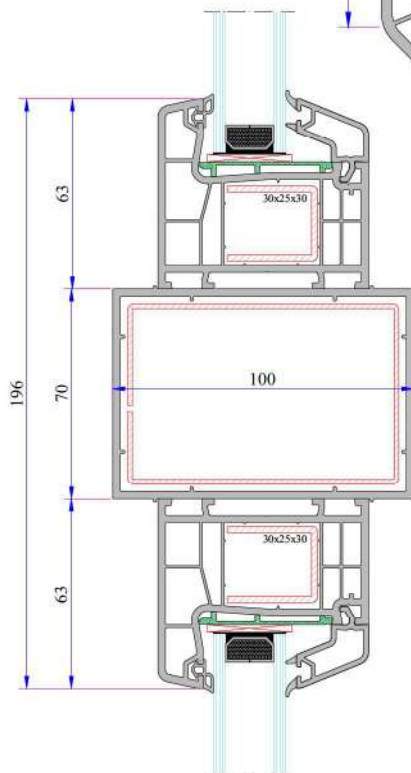
90° Corner Profile Installation



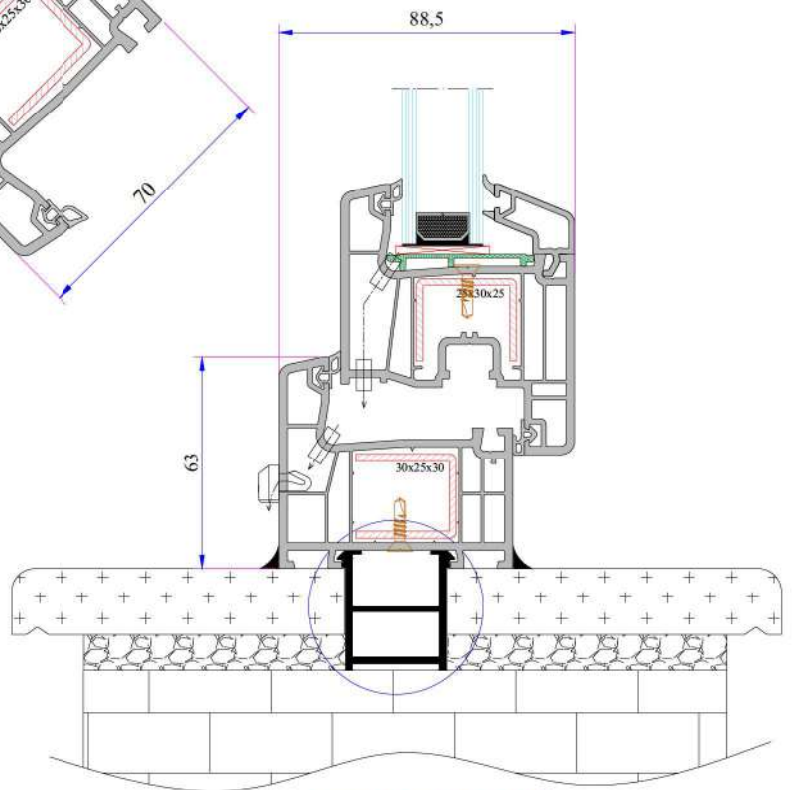
135° Corner Profile Installation



With Aluminium Threshold Frame Door Sash Installation

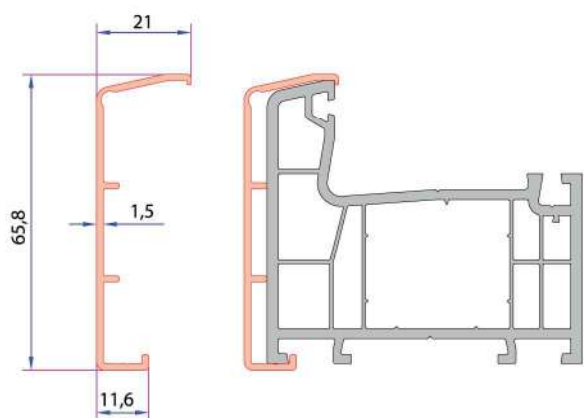


70x100mm Box Profile Installation



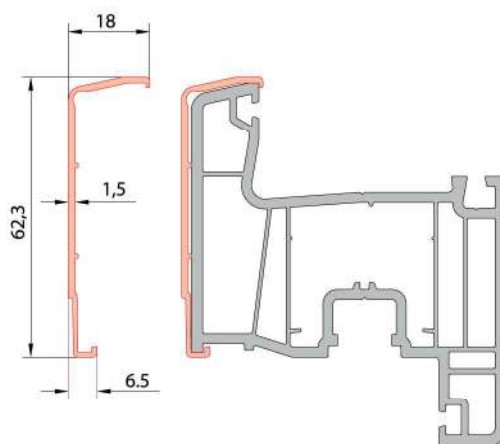
Frame Montage Profile Installation

W 750 - W 752 SERIES PVC PROFILE SYSTEM



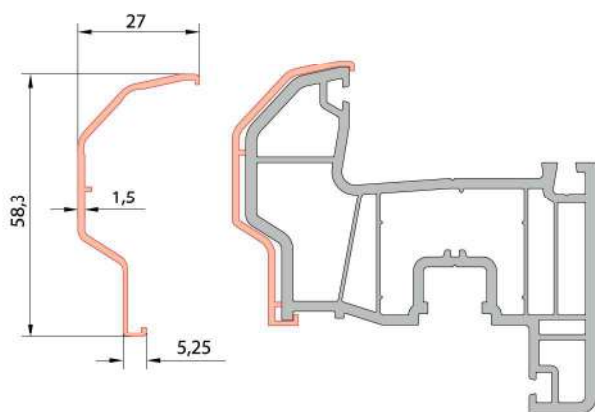
Aluminium Cladding Profile With Frame

Code:
34025 - 28010 (Alm. Color)
34025 - 29015 (Bronze)



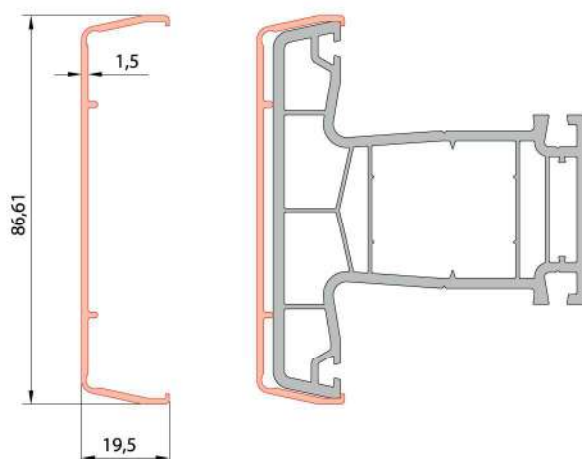
Aluminium Cladding Profile With Sash

Code:
34025 - 28030 (Alm. Color)
34025 - 29035 (Bronze)



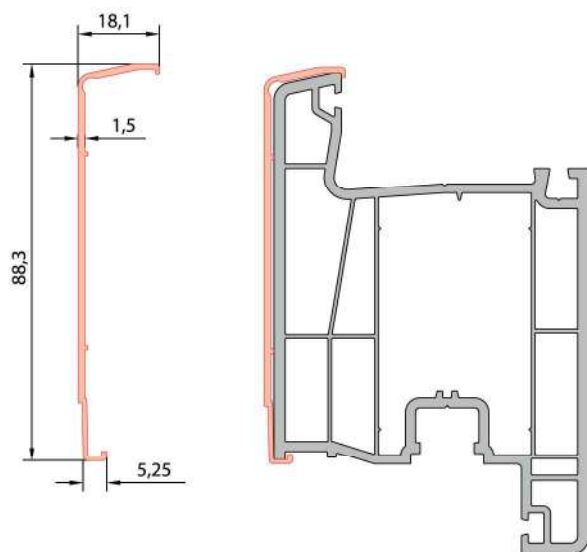
Aluminium Cladding Profile With Offset Sash

Code:
34025 - 28040 (Alm. Color)
34025 - 29045 (Bronze)



Aluminium Cladding Profile With Mullion

Code:
34025 - 28050 (Alm. Color)
34025 - 29055 (Bronze)



Aluminium Cladding Profile With Door Sash

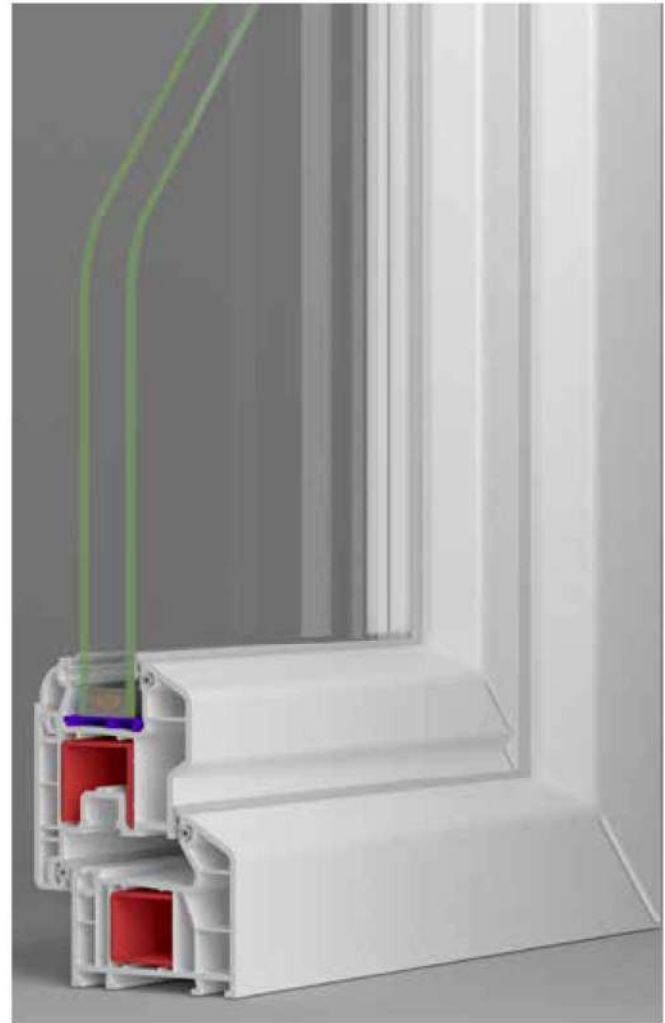
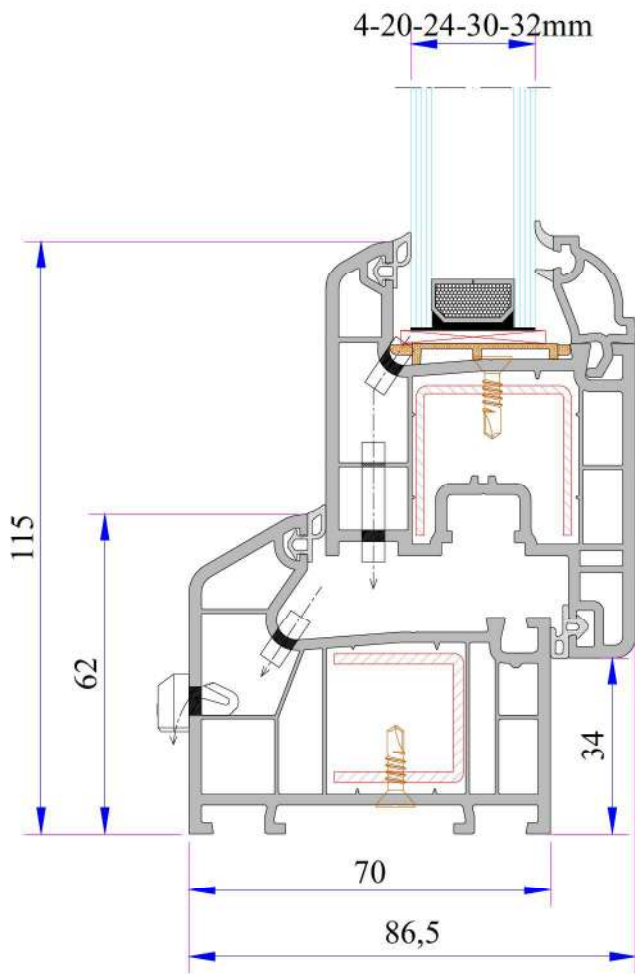
Code:
34025 - 28060 (Alm. Color)
34025 - 29065 (Bronze)



Aluminium Color



Bronze Color



TECHNICAL

W 760 SERIES

Profile Width: 70 mm

Number of chambers: 5

Profile Class: B Class (TS EN 12608-1)

Seal Type: External / Internal double seal system

Seal Type and Color: TPE - Grey /Black

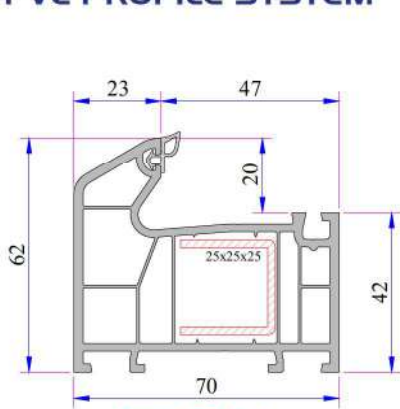
Glass Thickness (mm): 4, 20, 24, 30, 32 mm

The thermal insulation Uf: 1,45 W/m²K

INSTRUCTION

- The main profiles have 70 mm width.
- Because of the elastic grey and black seal which does not leave any stain on profiles will be provided maximum air, water, dust and sound isolation.
- Due to the 5 chambers profiles, it has maximum performance for thermal, sound and water isolation.
- It is a series of profiles with very special design that provides maximum wind resistance on high rise buildings.
- In addition to white profile a different laminated color range is available.
- 4-5 mm single glazing application of 20, 24, 28, 30, 32 mm glazing beads give us alternatives of using double, triple glazing and panels.

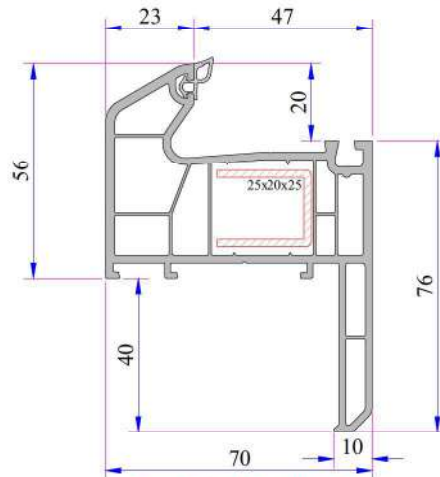
W 760 SERIES PVC PROFILE SYSTEM



Frame Profile

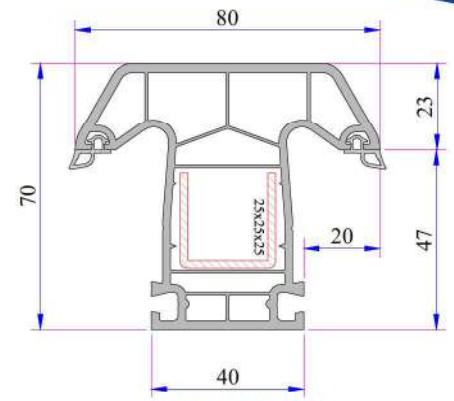
Code:

P.A.706.1000.600.0.BC.03



Frame Profile With Sill

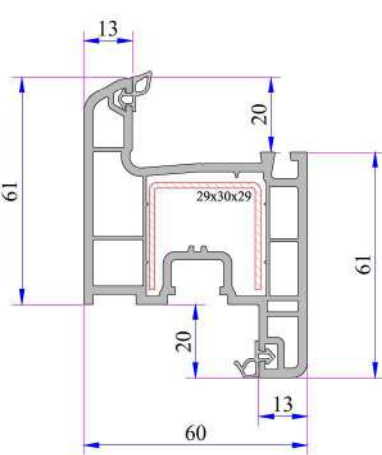
Code: P.A.706.1200.600.0.BC.03



Mullion Profile

Code:

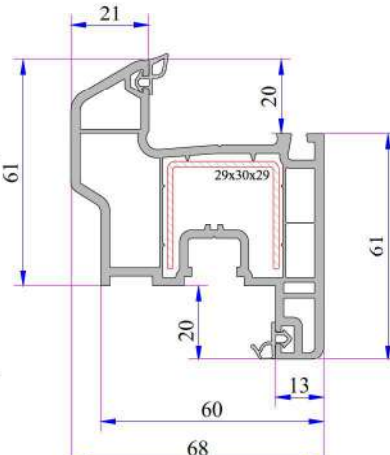
P.A.706.3000.600.0.BC.03



Sash Profile

Code:

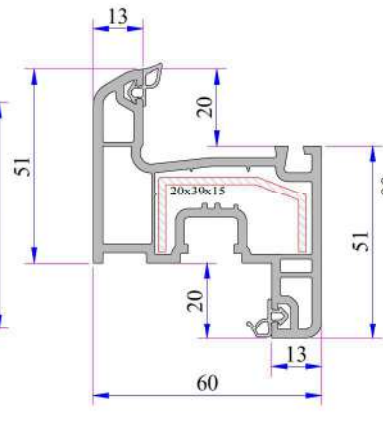
P.A.632.2000.600.0.BC.03



Offset Type Sash Profile

Code:

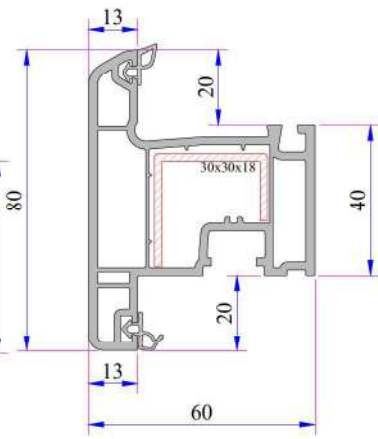
P.A.632.2200.600.0.BC.03



Narrow Sash Profile

Code:

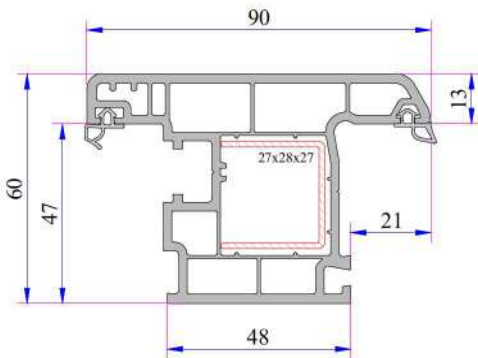
P.A.900.2005.600.0.BC.03



Outward Opening Sash Profile

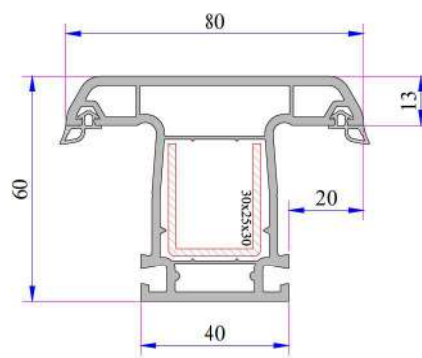
Code:

P.A.632.2014.600.0.BC.03



Outward Opening Sash Profile (9 Axis)

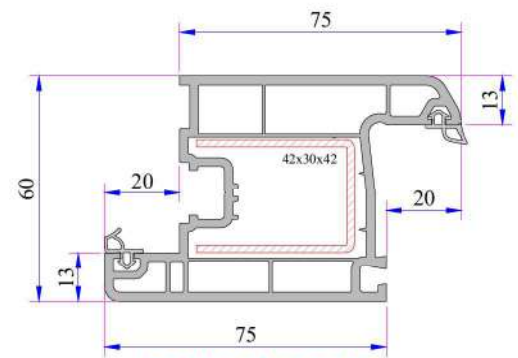
Code: P.A.430.2001.600.0.BC.03



Mullion For Door Profile

Code:

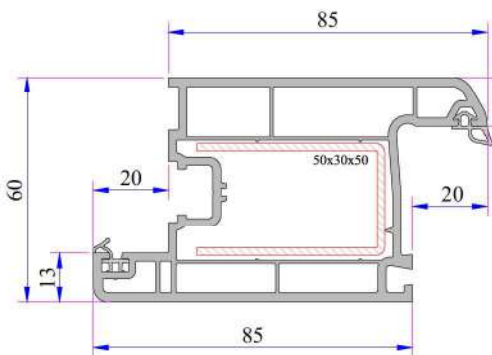
P.A.632.3000.600.0.BC.03



Eco Door Sash Profile

Code:

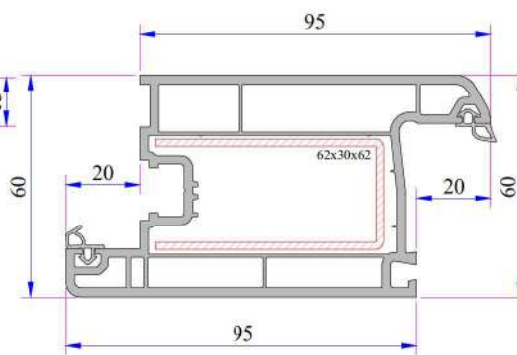
P.A.632.2107.600.0.BC.03



Door Sash Profile

Code:

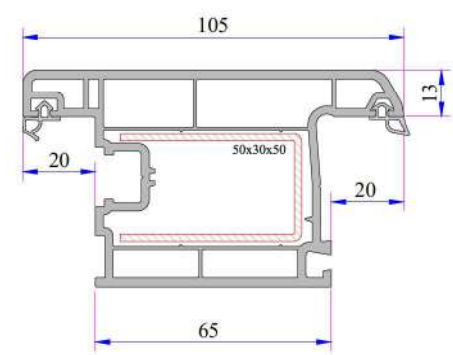
P.A.632.2100.600.0.BC.03



Super Door Sash Profile

Code:

P.A.632.2103.600.0.BC.03

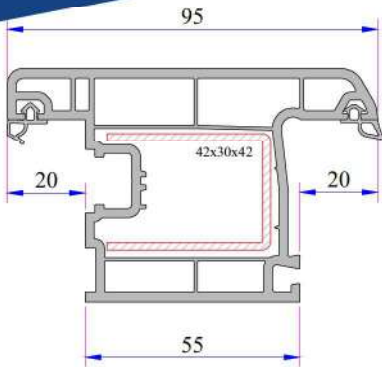


Outward Opening Door Sash Profile

Code:

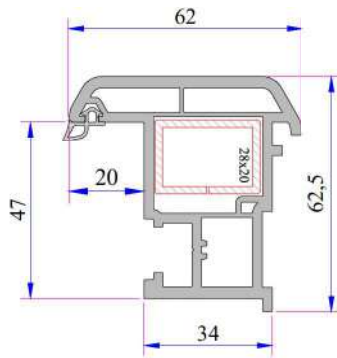
P.A.632.2101.600.0.BC.03

W 760 SERIES PVC PROFILE SYSTEM



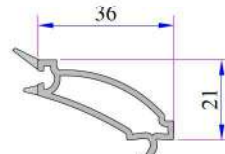
Outward Opening Eco Door Sash Profile

Code: P.A.632.2104.600.0.BC.03



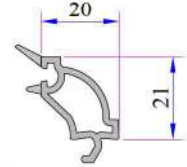
Lap Joint Profile

Code: P.A.632.3100.600.0.BC.19



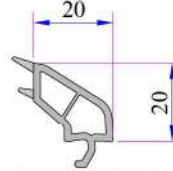
Single Glazing Bead 4-6mm

Code: P.A.101.4002.600.0.HC



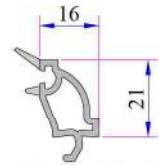
Double Glazing Bead 20mm

Code: P.A.101.4102.600.0.HC



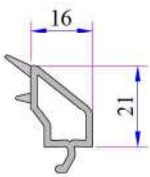
Single Glazing Bead 20mm

Code: P.A.101.4100.600.0.HC



Double Glazing Bead 24mm

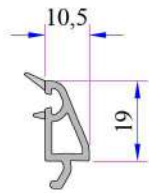
Code: P.A.101.4202.600.0.HC



Double Glazing Bead 24mm

Code:

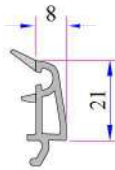
P.A.101.4200.600.0.HC (White)



Triple Glazing Bead 30mm

Code:

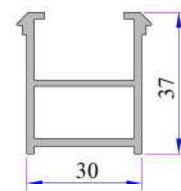
P.A.332.4100.600.0.HC (White)



Triple Glazing Bead 32mm

Code:

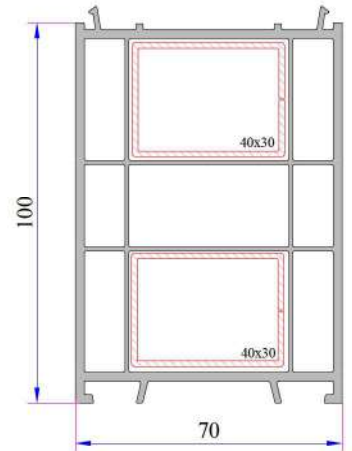
P.A.101.4500.600.0.HC (White)



Frame Montage Profile

Code:

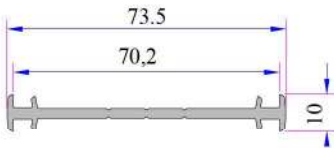
P.A.060.5301.600.0.00.19



100mm Frame Lifting Profile

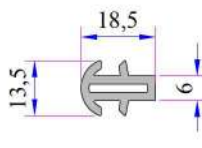
Code:

P.A.070.5302.600.0.00.19



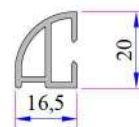
Narrow Coupling Profile

Code: P.A.070.5001.600



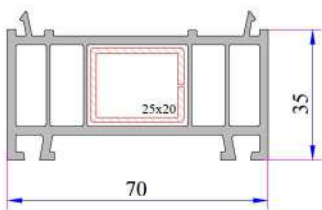
Short Coupling Profile

Code: P.A.099.5003.600



Offset Coupling Profile

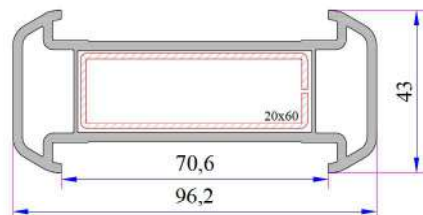
Code: P.A.900.6307.600



35mm Frame Lifting Profile

Code:

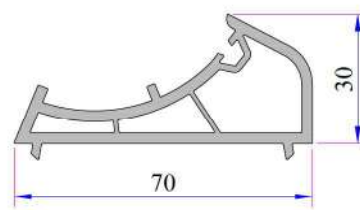
P.A.070.5300.600.0.00.19



Large Coupling Profile

Code:

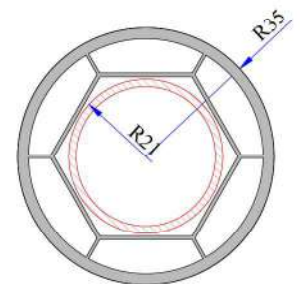
P.A.070.5000.600.0.00.19



Corner Lag Profile

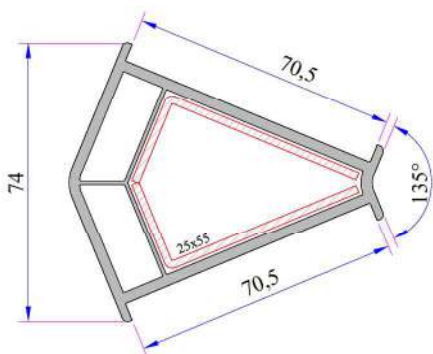
Code:

P.A.070.5104.600.0.00.19



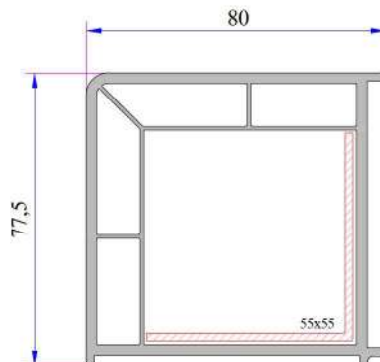
Pipe Profile

Code: P.A.070.5106.600



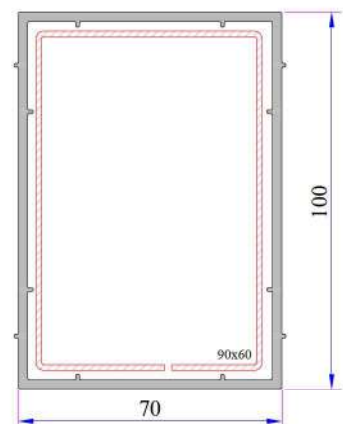
135° Corner Profile

Code: P.A.070.5102.600.0.00.19



90° Corner Profile

Code: P.A.070.5100.600.0.00.19

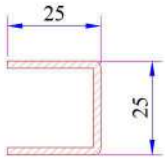


70x100mm Box Profile

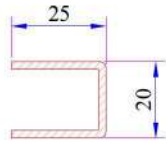
Code: P.A.070.5202.600.0.00.19

W 760 SERIES PVC PROFILE SYSTEM

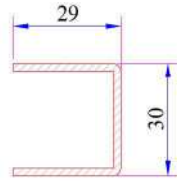
W 760 Re-Inforcement Profiles



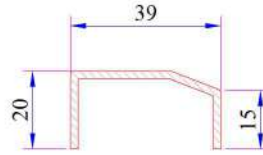
Frame - Mullion Profile Reinforcement
Code: 34022-12003



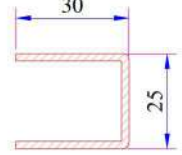
Frame with Sill Profile Reinforcement
Code: 34022-12021



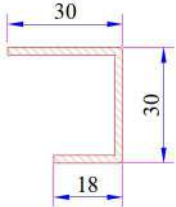
Sash - Offset Type Sash Profile Reinforcement
Code: 34022-12002



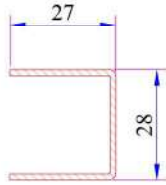
Narrow Sash Profile Reinforcement
Code: 34022-12031



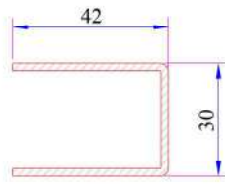
Mullion For Door Profile Reinforcement
Code: 34022-12004



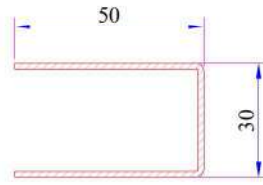
Outward Opening Sash Profile Reinforcement
Code: 34022-12022



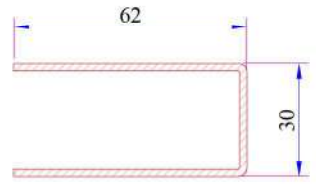
Outward Opening Sash Profile (9 Axis) Reinforcement
Code: 34022-12020



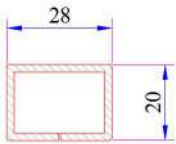
Eco Door Sash - Outward Opening Eco Door Sash Profile Reinforcement
Code: 34022-12023



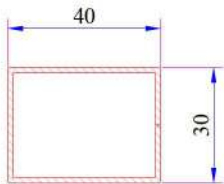
Door Sash - Outward Opening Door Sash Profile Reinforcement
Code: 34022-12013



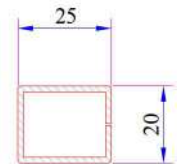
Super Door Sash Profile Reinforcement
Code: 34022-12029



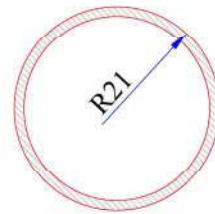
Lap Joint Profile Reinforcement
Code: 34022-12118



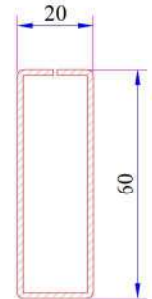
100mm Frame Lifting Profile Reinforcement
Code: 34022-12120



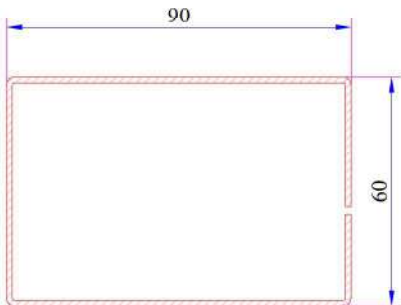
35mm Frame Lifting Profile Reinforcement
Code: 34022-12104



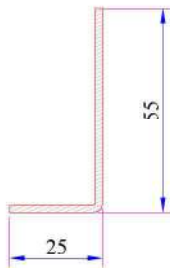
Pipe Profile Reinforcement
Code: 34022-12502



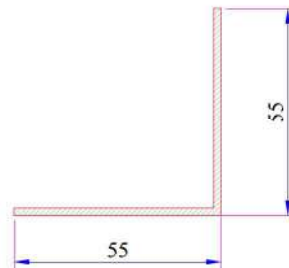
Large Coupling Profile Reinforcement
Code: 34022-12106



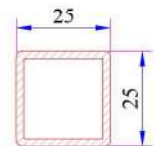
70x100 mm Box Profile Reinforcement
Code: 34022-12121



135° Corner Profile Reinforcement
Code: 34022-12303

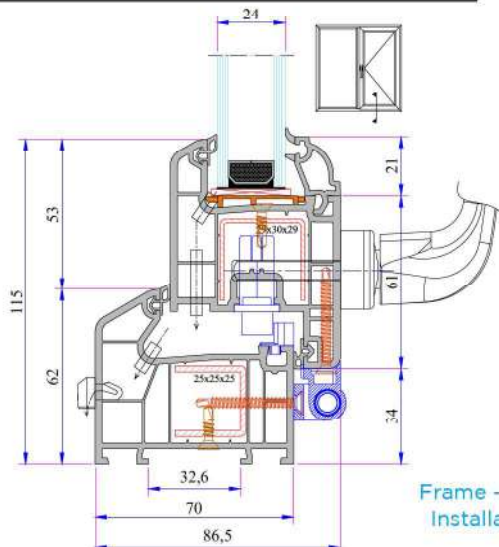


90° Corner Profile Reinforcement
Code: 34022-12305

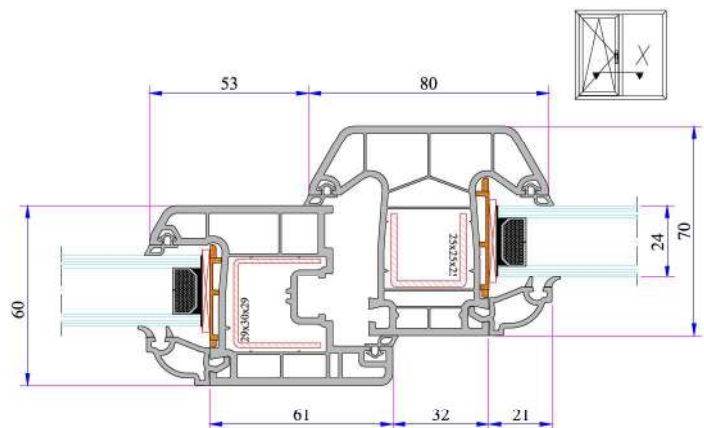


Mullion Profile Static Reinforcement
Code: 34022-12122

W 760 Installation

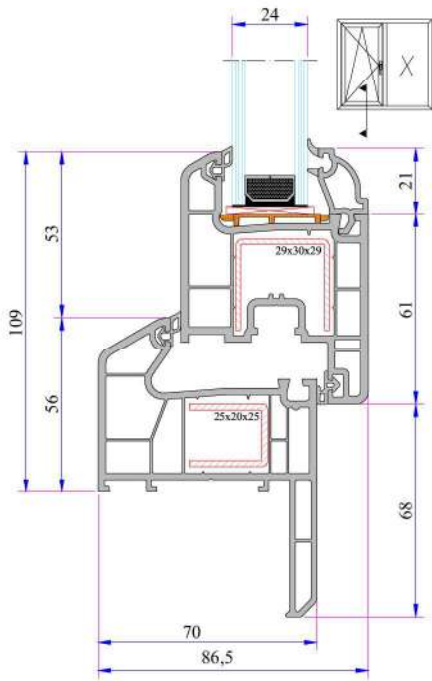


Frame - Sash Installation

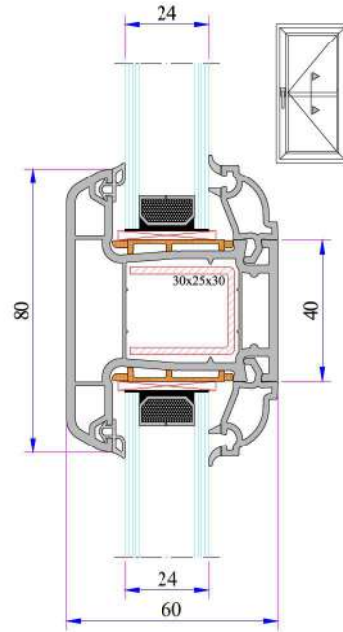


Mullion - Sash Installation

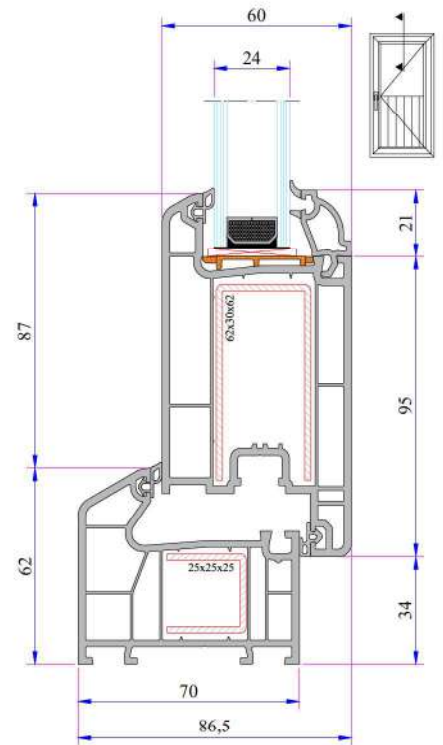
W 760 SERIES PVC PROFILE SYSTEM



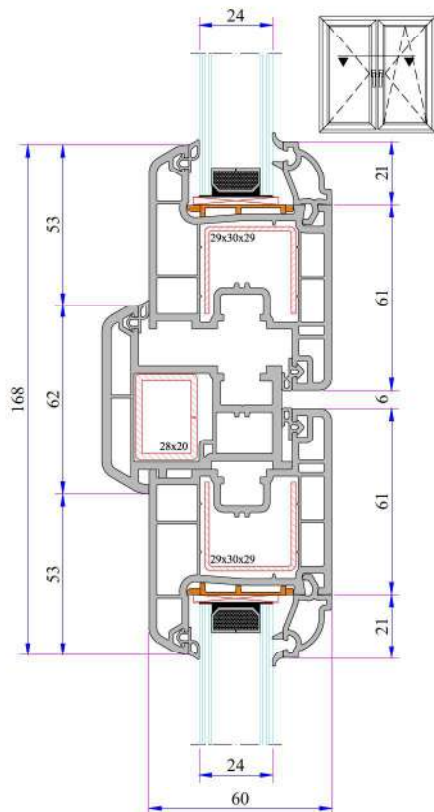
Frame with Sill - Sash Installation



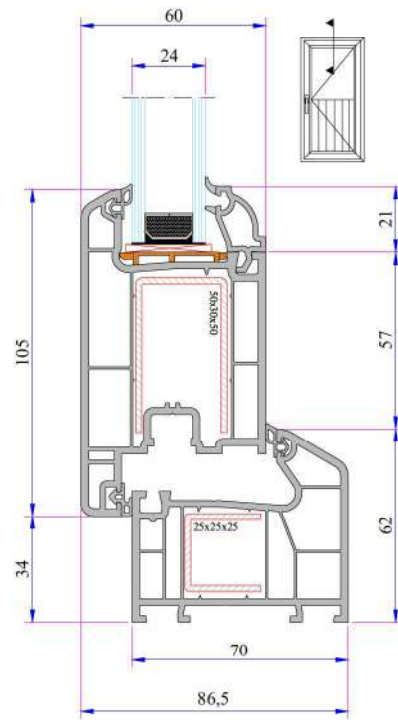
Mullion Profile Installation



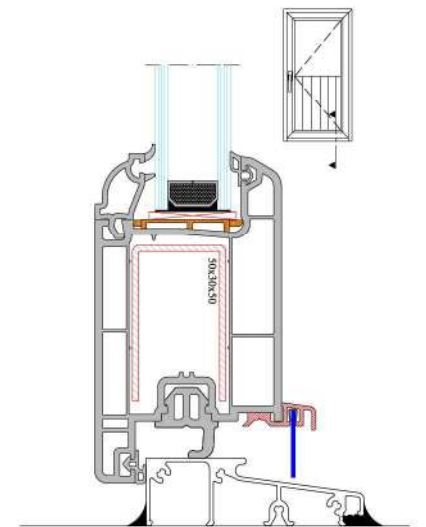
Frame - Super Door Sash Installation



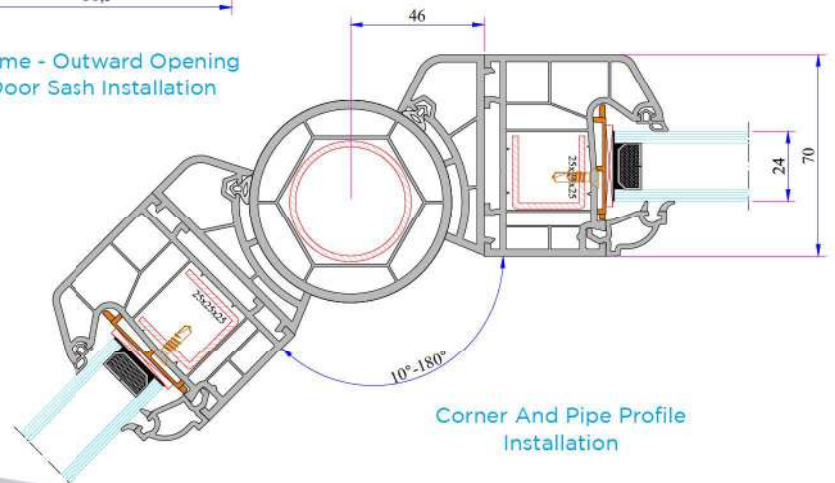
Sash - Lap Joint - Sash Installation



Frame - Outward Opening Door Sash Installation

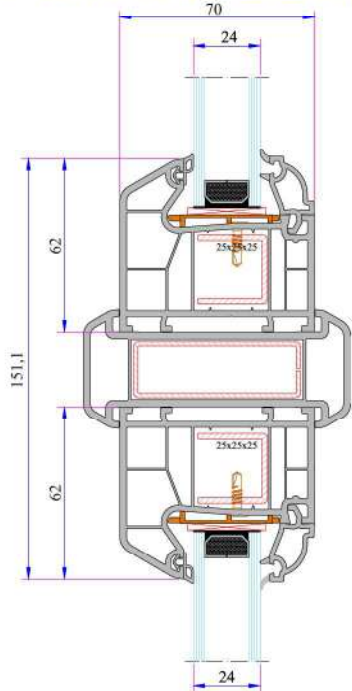


With Aluminium Threshold Frame Door Sash Installation

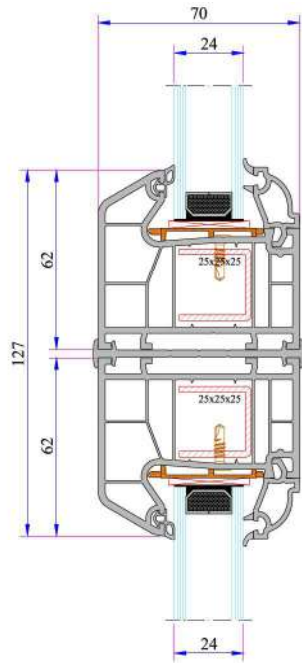


Corner And Pipe Profile Installation

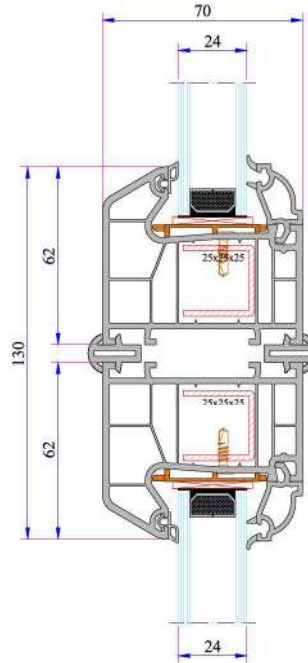
W 760 SERIES PVC PROFILE SYSTEM



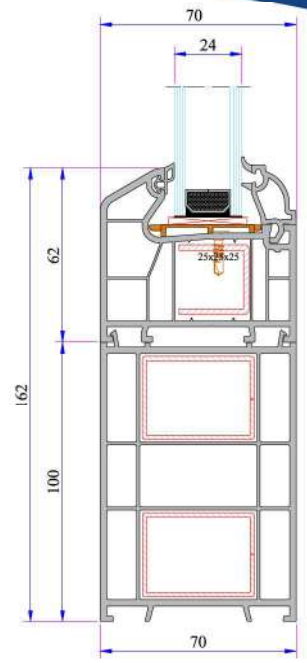
Large Coupling Profile Installation



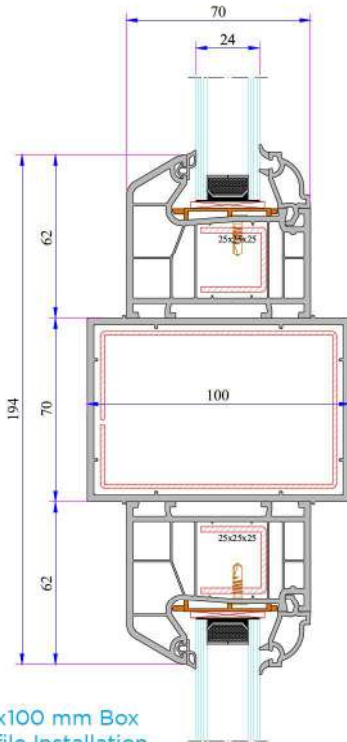
Narrow Coupling Profile Installation



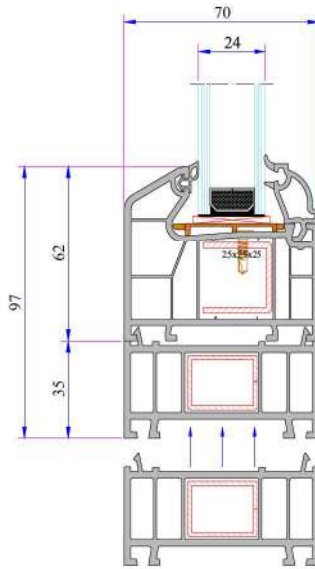
Short Coupling Profile Installation



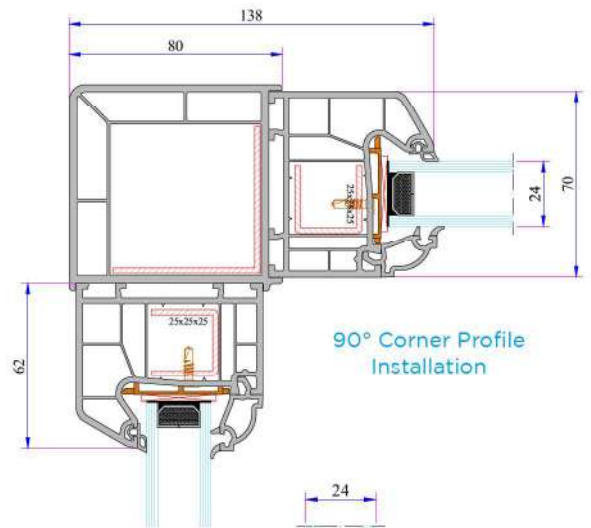
100mm Frame Lifting Profile Installation



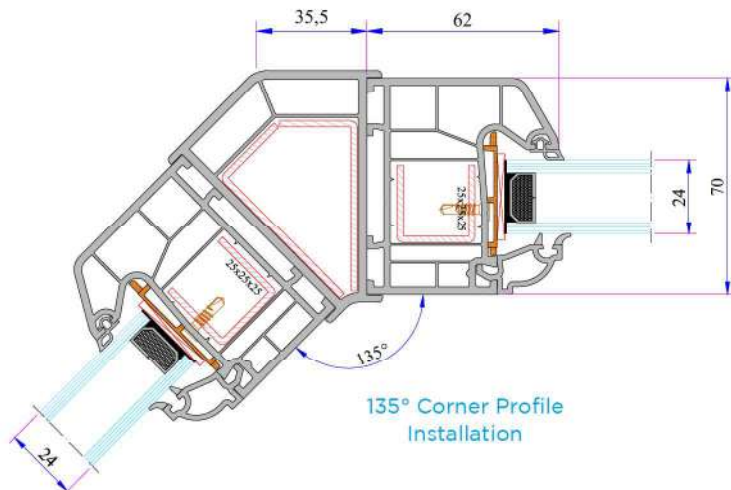
70x100 mm Box Profile Installation



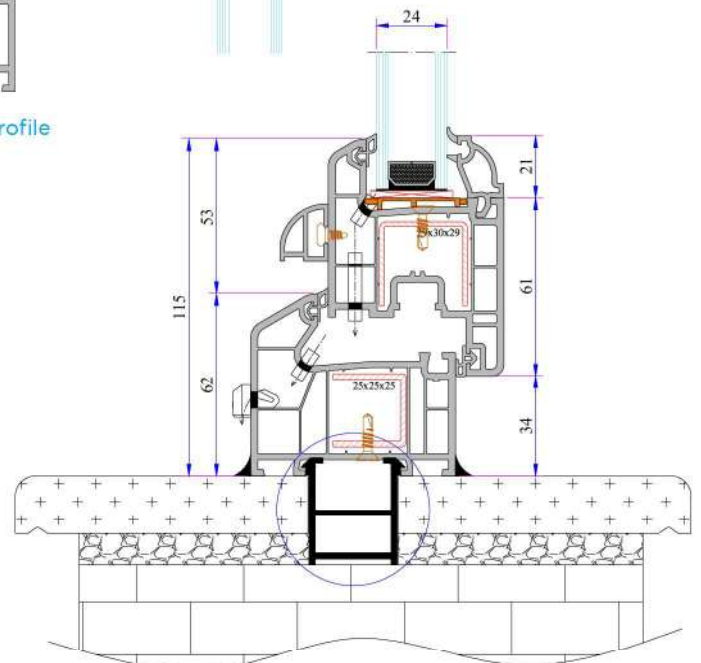
35mm Frame Lifting Profile Installation



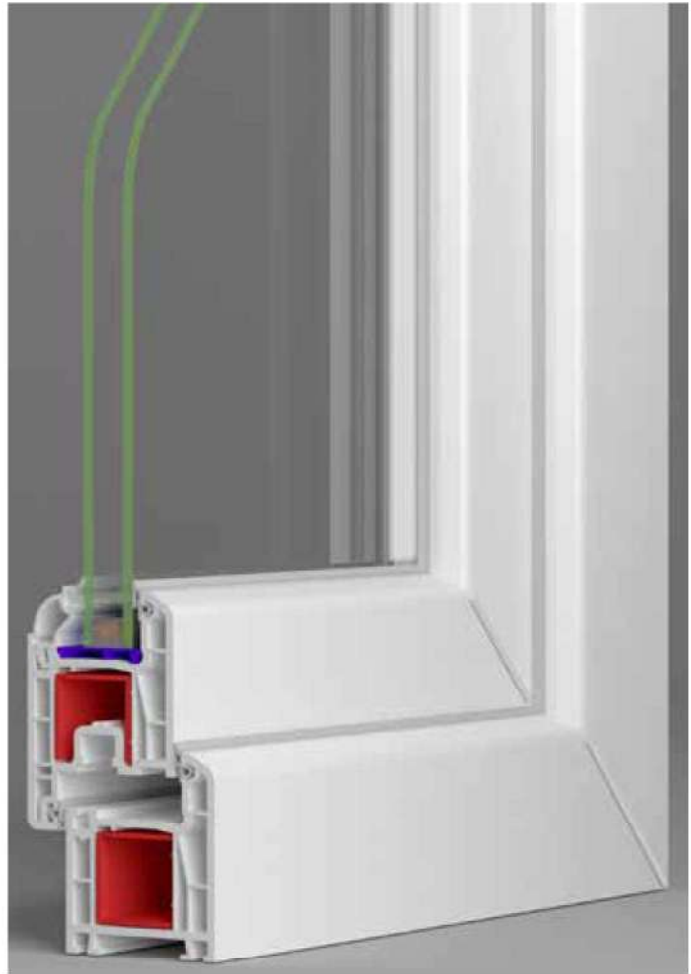
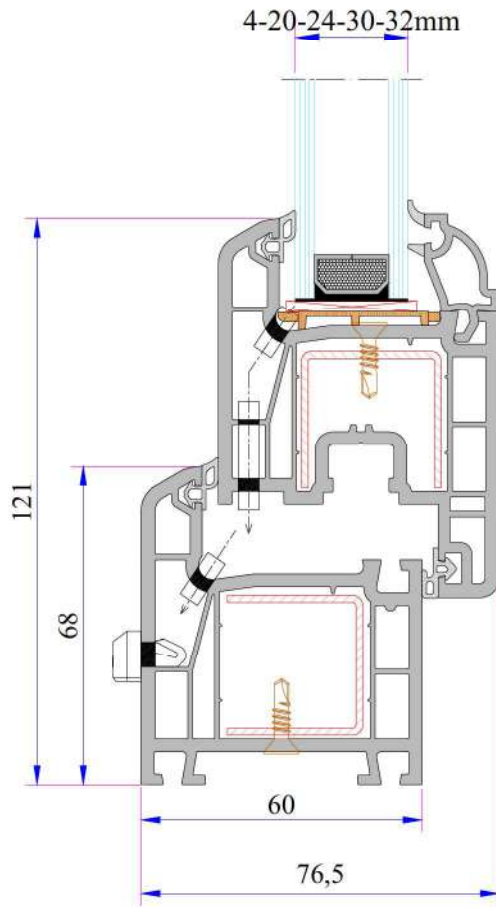
90° Corner Profile Installation



135° Corner Profile Installation



Offset Profile and Montage Profile Installation



TECHNICAL

W 642 SERIES

Profile Width: 60 mm

Number of chambers: 4

Profile Class: A Class (TS EN 12608-1)
RAL 716 - GZ A Class

Seal Type: External / Internal double seal system

Seal Type and Color: TPE - Grey /Black

Glass Thickness (mm): 4, 20, 24, 30, 32 mm

The thermal insulation Uf: 1,50 W/m²K

W 640 SERIES

Profile Width: 60 mm

Number of chambers: 4

Profile Class: B Class (TS EN 12608-1)

Seal Type: External / Internal double seal system

Seal Type and Color: TPE - Grey /Black

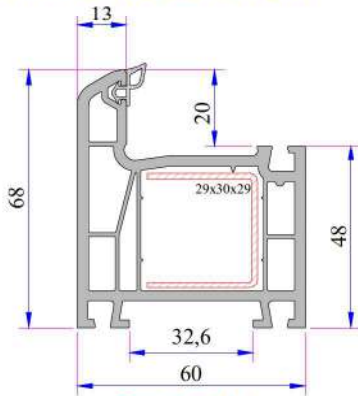
Glass Thickness (mm): 4, 20, 24, 30, 32 mm

The thermal insulation Uf: 1,45 W/m²K

INSTRUCTION

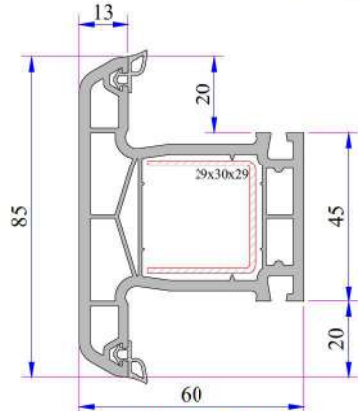
- The main profiles have 60 mm width.
- Because of the elastic grey and black seal which does not leave any stain on profiles will be provided maximum air, water, dust and sound isolation.
- Due to the 4 chambers profiles, it has maximum performance for thermal, sound and water isolation.
- It is a series of profiles with very special design that provides maximum wind resistance on high rise buildings.
- Excluding normal sash profile there is also chance to have a choice for offset type sash profile.
- In addition to white profile a different laminated color range is available.
- 4-5 mm single glazing application of 20, 24, 30, 32 mm glazing beads give us alternatives of using double, triple glazing and panels.

W 642 - W 640 SERIES PVC PROFILE SYSTEM



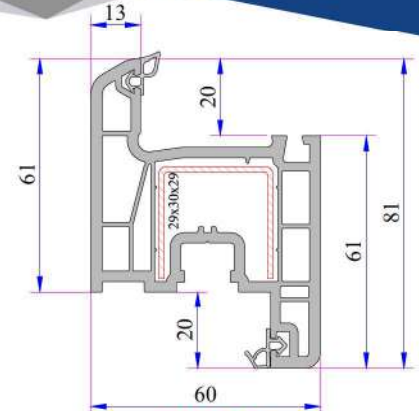
Frame Profile

Code: P.A.64X.1000.600.0.BC.03



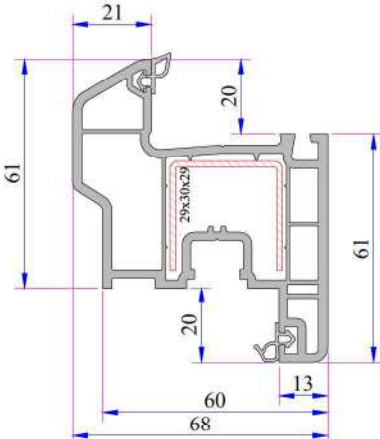
Mullion Profile

Code: P.A.64X.3000.600.0.BC.03



Sash Profile

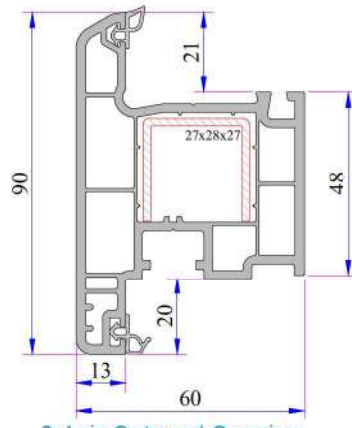
Code: P.A.64X.2000.600.0.BC.03



Offset Type Sash Profile

Code:

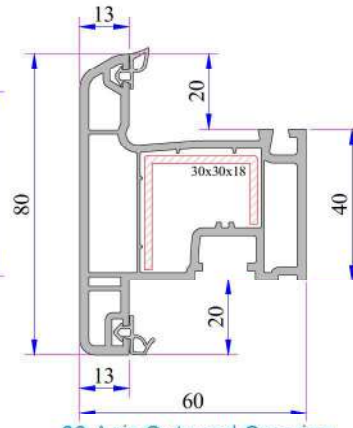
P.A.632.2200.600.0.BC.03



9 Axis Outward Opening Mullion Profile

Code:

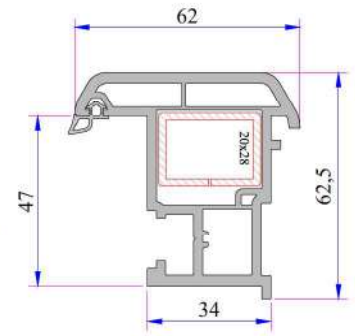
P.A.430.2001.600.0.BC.03



22 Axis Outward Opening Sash Profile

Code:

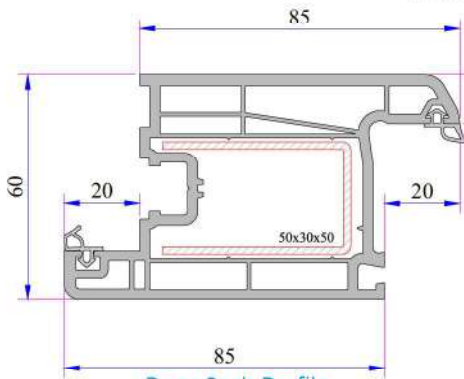
P.A.632.2014.600.0.BC.03



Lap Joint Profile

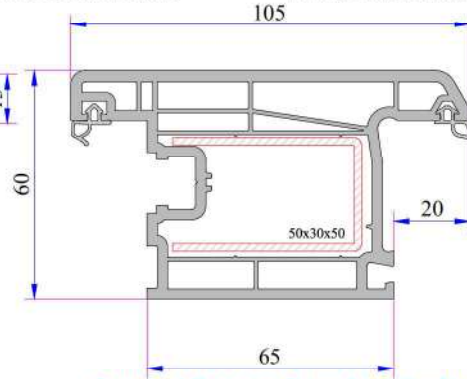
Code:

P.A.632.3100.600.0.BC.10



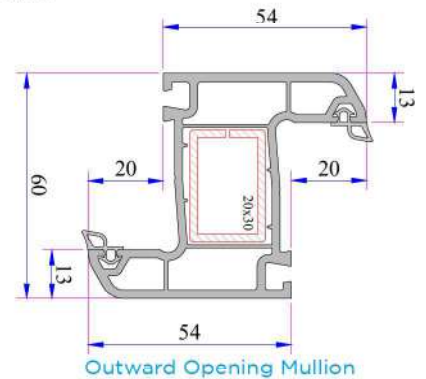
Door Sash Profile

Code: P.A.64X.2100.600.0.BC.03



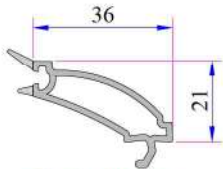
Outward Opening Door Sash Profile

Code: P.A.64X.2101.600.0.BC.03



Outward Opening Mullion Profile

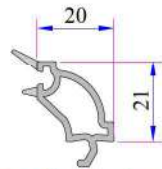
Code: P.A.632.3005.600.0.BC.03



Single Glazing Bead 4-6 mm

Code:

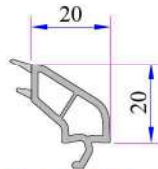
A.101.4002.600.0.HC



Double Glazing Bead 20 mm

Code:

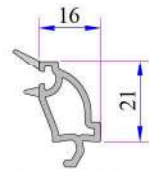
P.A.101.4102.600.0.HC



Double Glazing Bead 20 mm

Code:

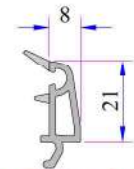
P.A.101.4100.600.0.HC



Double Glazing Bead 24 mm

Code:

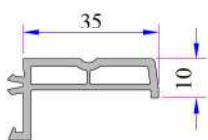
P.A.101.4202.600.0.HC



Triple Glazing Bead 32 mm

Code:

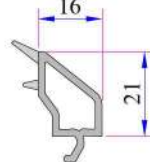
P.A.101.4500.600.0.HC



Frame Sill Profile (35mm)

Code:

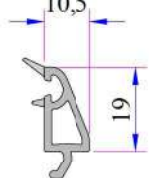
P.A.099.5523.600



Double Glazing Bead 24 mm

Code:

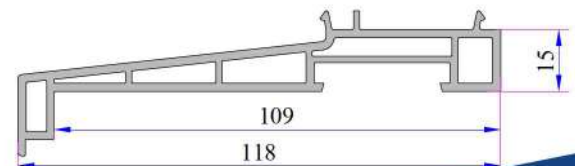
P.A.750.4500.600.0.HC



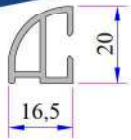
Triple Glazing Bead 30 mm

Code: P.A.332.4100.600.0.HC

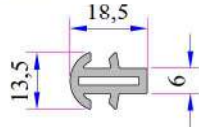
Sill Profile
Code: P.A.058.5504.600.0.00.19



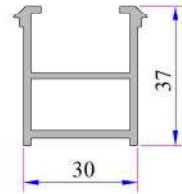
W 642 - W 640 SERIES PVC PROFILE SYSTEM



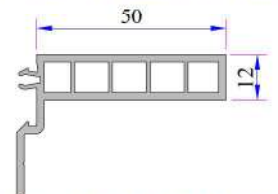
Offset Profile
Code: P.A.900.6307.600



Short Coupling Profile
Code: P.A.099.5003.600



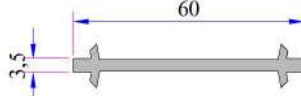
Frame Montage Profile
Code: P.A.060.5301.600.0.00



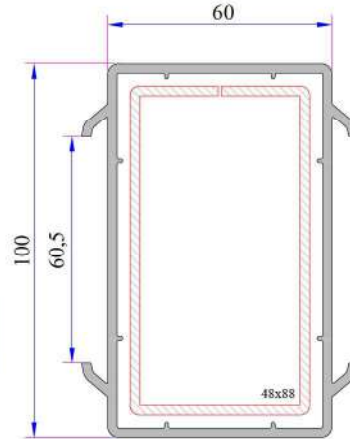
Frame Sill Profile (50mm)
Code: P.A.099.5524.600



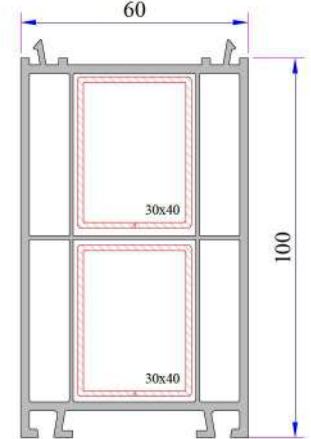
Universal Large Coupling Cover Profile
Code: P.A.058.5707.600.0.00.19



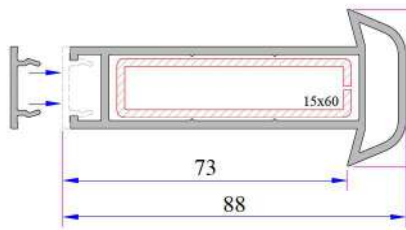
Narrow Coupling Profile
Code: P.A.060.5001.600



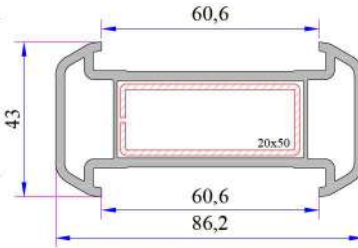
60x100 Spiked Box Profile
Code: P.A.060.5203.600.0.00.19



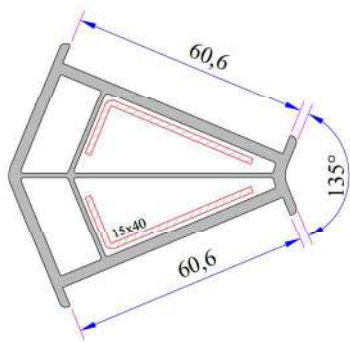
60x100 Frame Lifting Profile
Code: P.A.900.5303.600.0.00.19



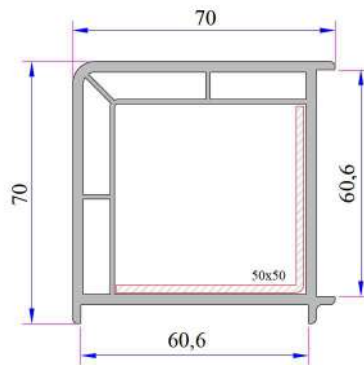
Universal Large Coupling Profile
Code: P.A.058.5000.600.0.00.19



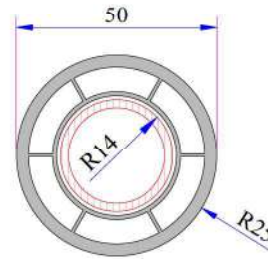
Large Coupling Profile
Code: P.A.060.5000.600.0.00.19



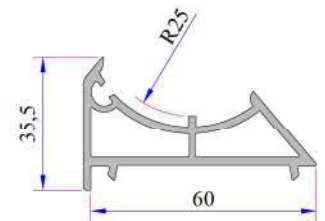
135° Corner Profile
Code: P.A.060.5102.600.0.00.19



90° Corner Profile
Code: P.A.060.5100.600.0.00.19

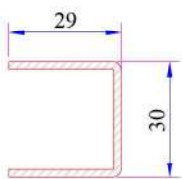


Pipe Profile
Code: P.A.050.5106.600

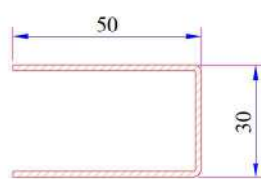


Corner Lag Profile
Code: P.A.060.5104.600.0.00.19

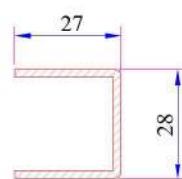
W 640 - W 642 Re-Inforcement Profiles



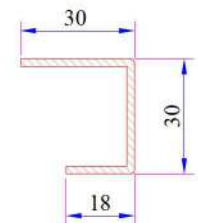
Frame - Sash - Offset Type Sash - Mullion Profile Reinforcement
Code: 34022-12002



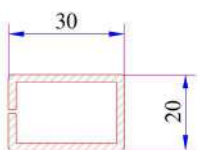
Door Sash-Outward Opening Door Sash Profile Reinforcement
Code: 34022-12013



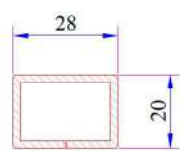
Outward Opening Sash Profile (9 Axis) Reinforcement
Code: 34022-12020



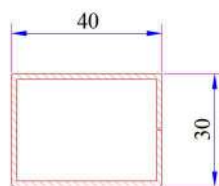
Outward Opening Sash Profile (22 Axis) Reinforcement
Code: 34022-12022



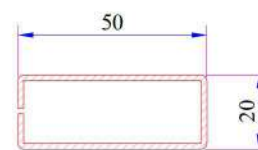
Outward Opening Mullion Profile Reinforcement
Code: 34022-12109



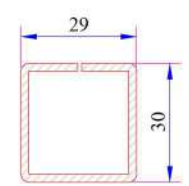
Lap Joint Profile Reinforcement
Code: 34022-12118



100mm Frame Lifting Profile Reinforcement
Code: 34022-12120

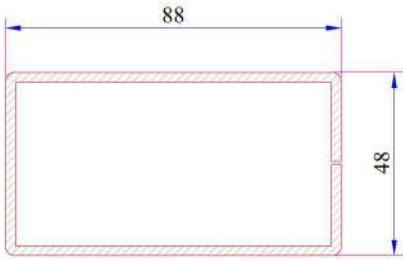


Large Coupling Profile Reinforcement
Code: 34022-12105

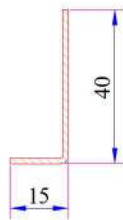


Mullion Profile Static Reinforcement
Code: 34022-15129

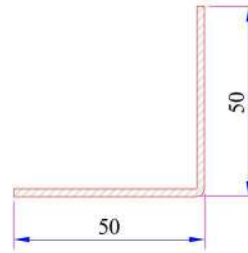
W 642 - W 640 SERIES PVC PROFILE SYSTEM



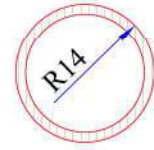
60x100 mm Box Profile Reinforcement
Code: 34022-12102



135° Corner Profile Reinforcement
Code: 34022-12301

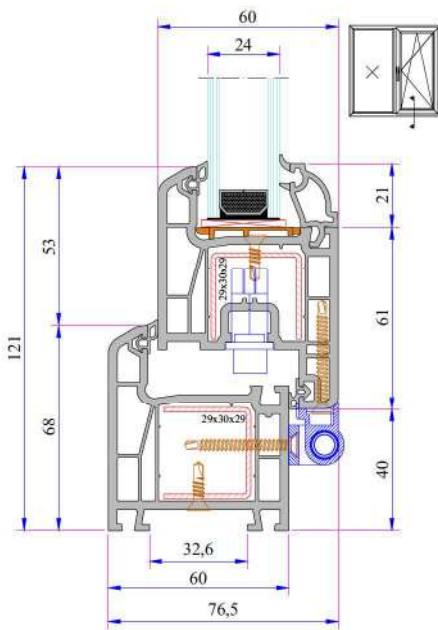


90° Corner Profile Reinforcement
Code: 34022-12302

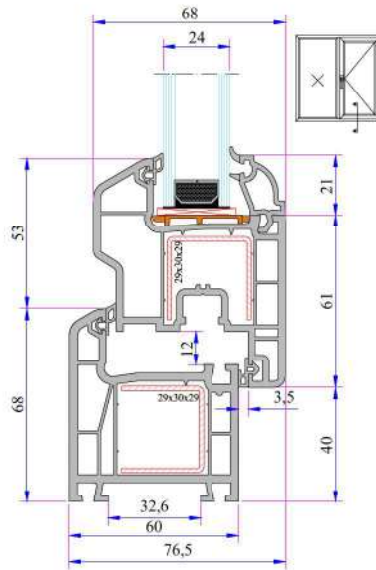


Pipe Profile Reinforcement
Code: 34022-12503

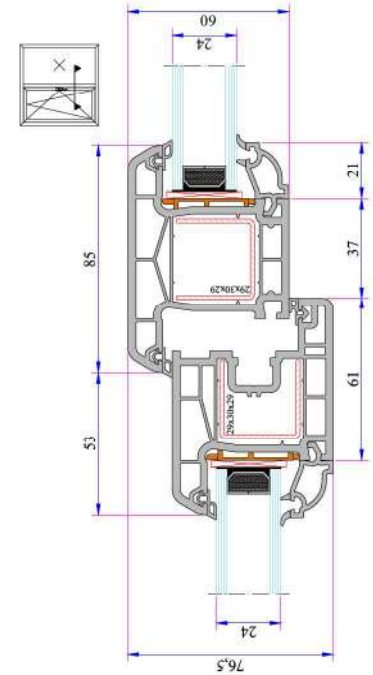
W 640 - W 642 Installation



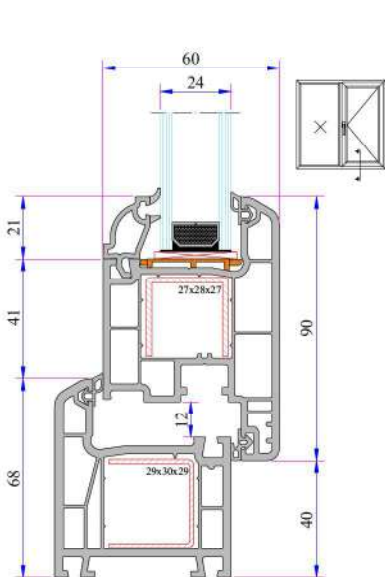
Frame - Sash Installation



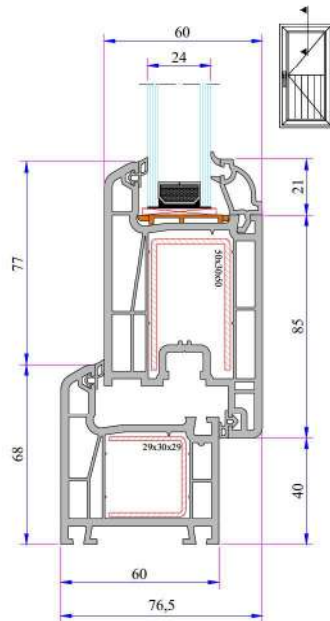
Frame - Offset Type Sash Installation



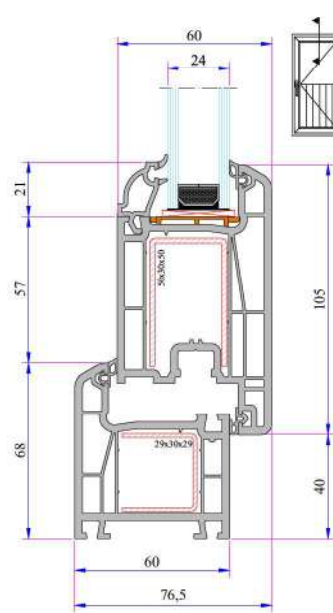
Sash - Mullion Installation



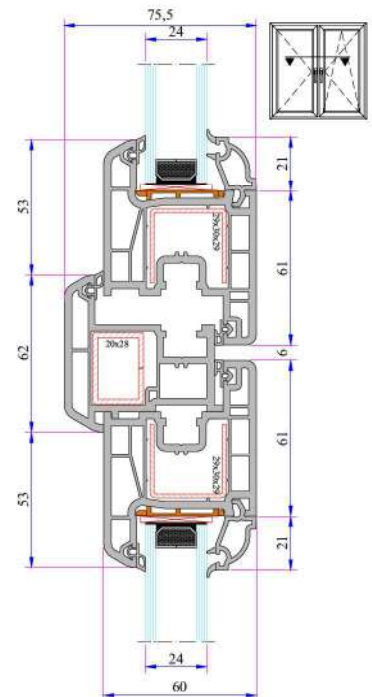
Frame - Outward Opening Sash Installation



Frame - Door Sash Installation

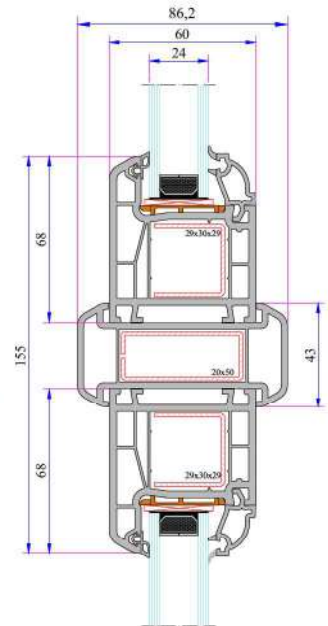
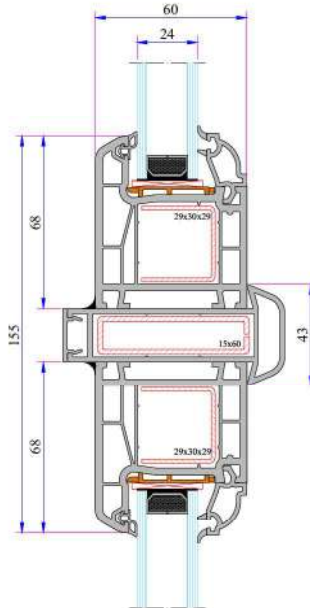
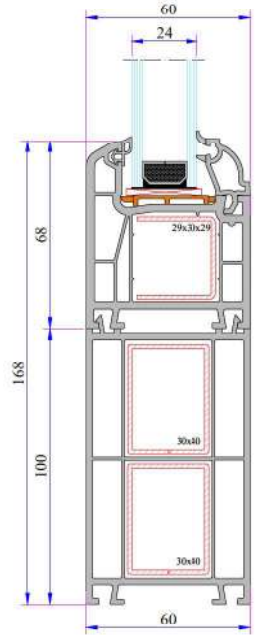
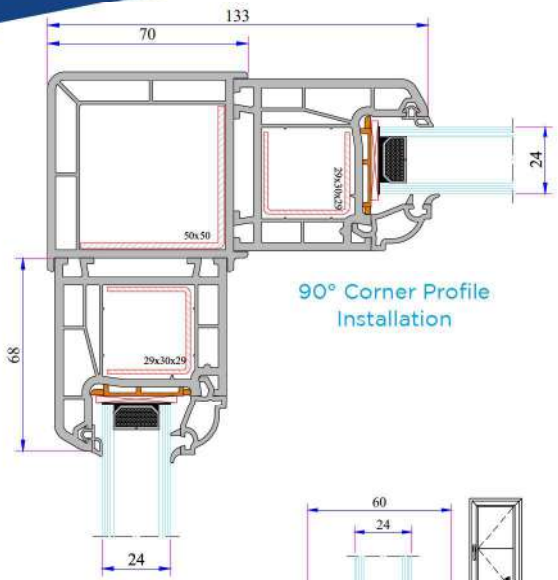


Frame - Outward Opening Door Sash Profile

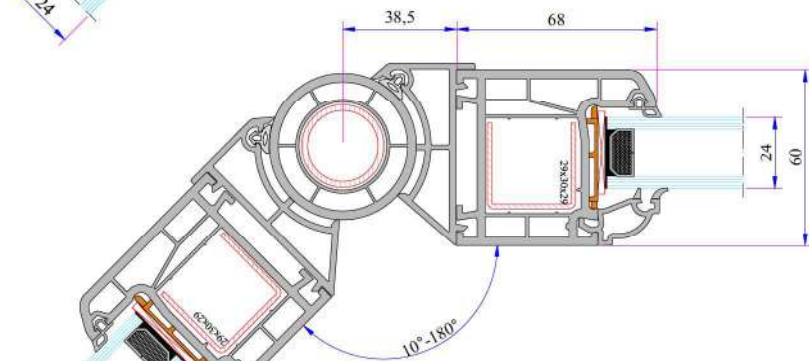
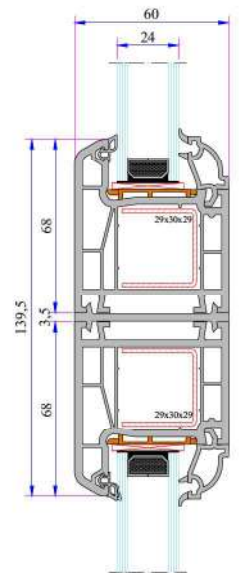
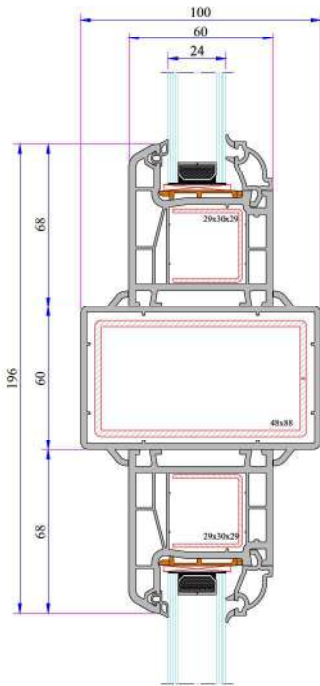
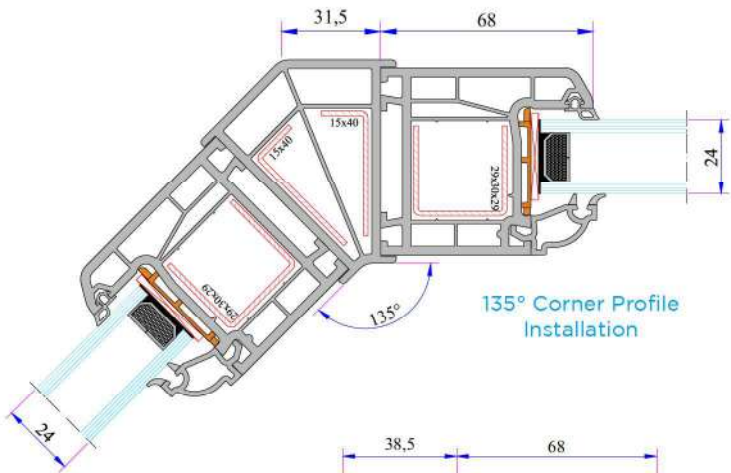
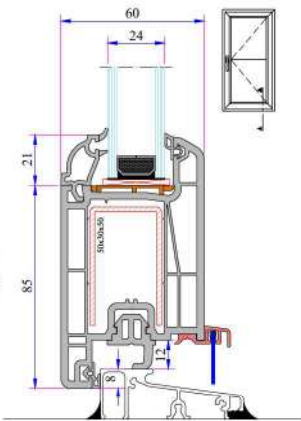


Sash - Lap Joint - Sash Installation

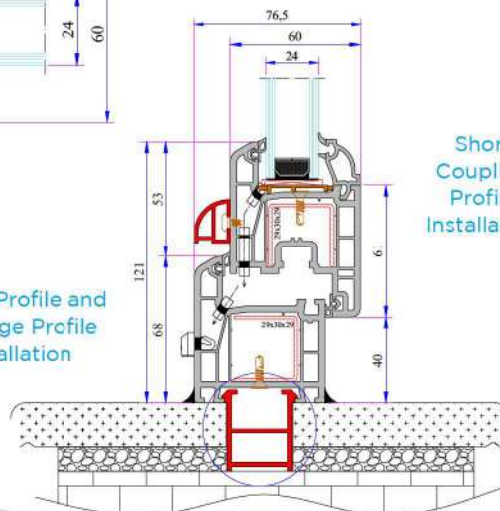
W 642 - W 640 SERIES PVC PROFILE SYSTEM



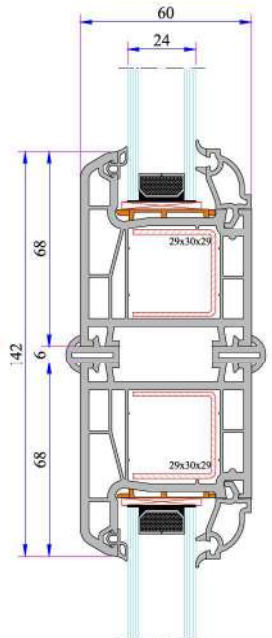
With Aluminium
Threshold Frame
Door Sash
Installation



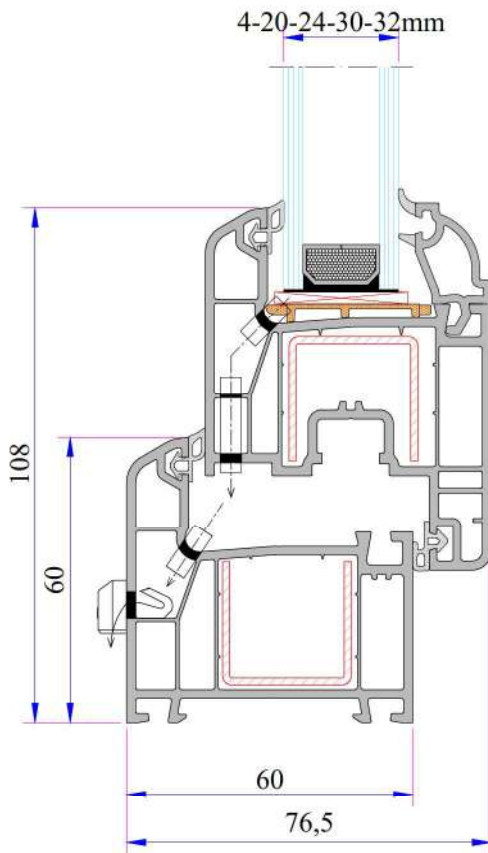
Offset Profile and
Montage Profile
Installation



Short
Coupling
Profile
Installation







TECHNICAL

W 634 SERIES

Profile Width: 60 mm

Number of chambers: 4

Profile Class: C Class

Seal Type: External / Internal double seal system

Seal Type and Color: TPE - Grey /Black

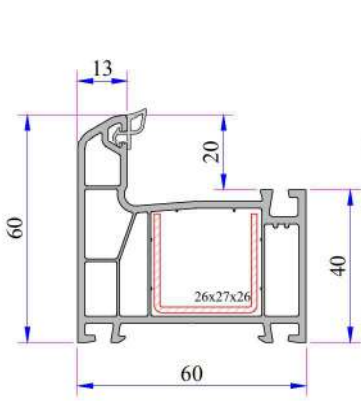
Glass Thickness (mm): 4, 20, 24, 30, 32 mm

The thermal insulation Uf: 1,50 W/m²K

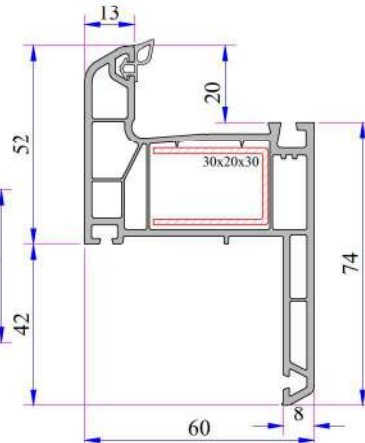
INSTRUCTION

- The main profiles have 60 mm width.
- Because of the elastic grey and black seal which does not leave any stain on profiles will be provided maximum air, water, dust and sound isolation.
- Due to the 4 chambers profiles, it has maximum performance for thermal, sound and water isolation.
- Excluding normal sash profile there is also chance to have a choice for offset type sash profile.
- In addition to white profile a different laminated color range is available.
- 4-6 mm single glazing application of 20, 24, 30, 32 mm glazing beads give us alternatives of using double, triple glazing and panels.

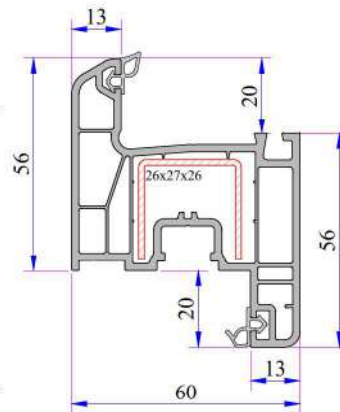
**W 634 SERIES
PVC PROFILE SYSTEM**



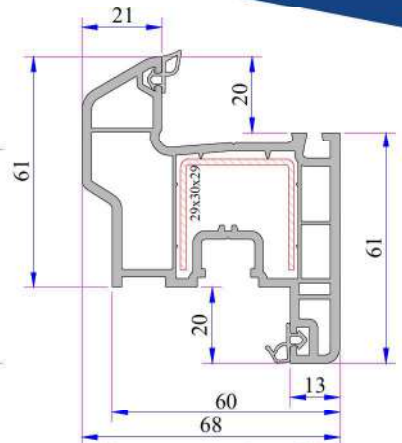
Frame Profile
Code: ???



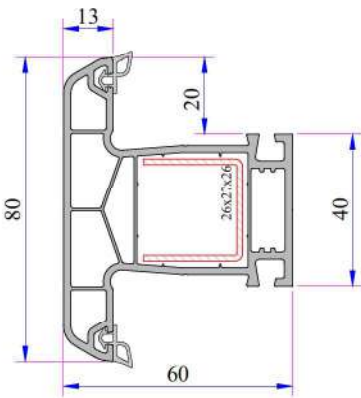
Frame With Sill Profile
Code: ???



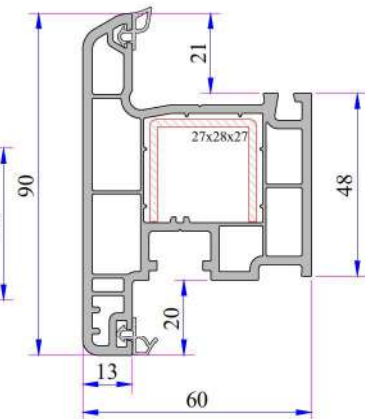
Sash Profile
Code: ???



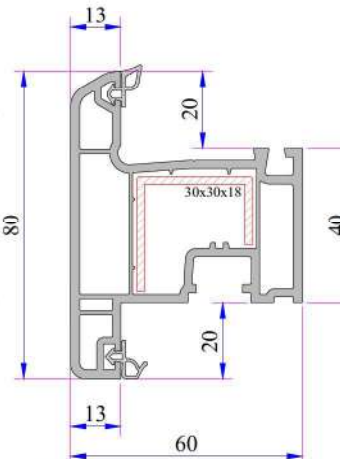
Offset Type Sash Profile
Code:
P.A.632.2200.600.0.BC.03



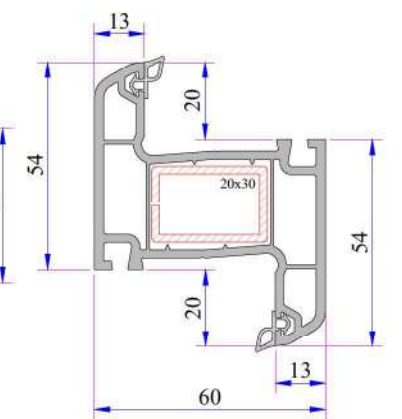
Mullion Profile
Code: ???



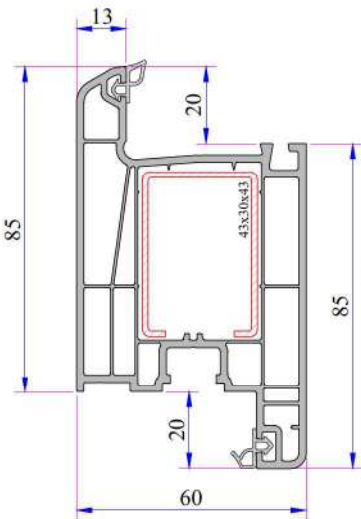
9 Axis Outward Opening Sash Profile
Code:
P.A.430.2001.600.0.BC.03



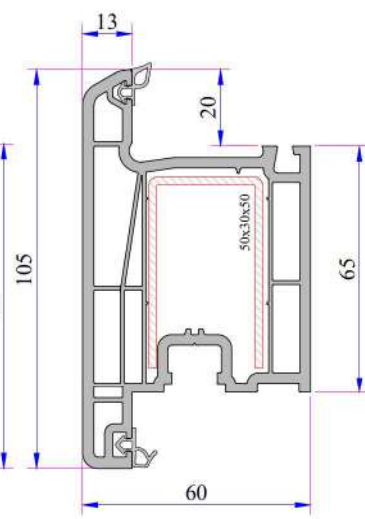
22 Axis Outward Opening Sash Profile
Code:
P.A.632.2014.600.0.BC.03



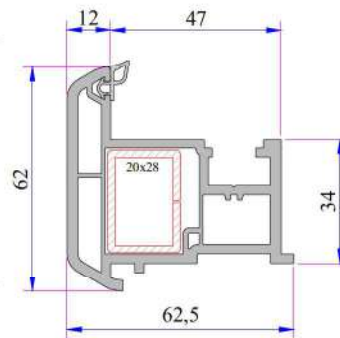
Outward Opening Mullion Profile
Code:
P.A.632.3005.600.0.BC.03



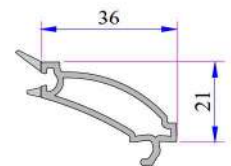
Door Sash Profile
Code: ???



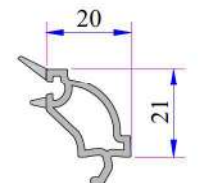
Outward Opening Door Sash Profile
Code: P.A.642.2101.600.0.BC.03



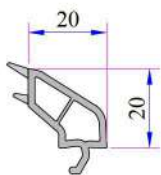
Lap Joint Profile
Code: ???



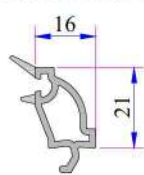
4 mm Glazing Bead
Code:
P.A.101.4002.600.0.HC



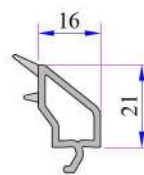
20mm Decorative Glazing Bead
Code:
P.A.101.4102.600.0.HC



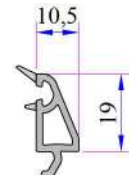
20mm Glazing Bead
Code:
P.A.101.4100.600.0.HC



24mm Decorative Glazing Bead
Code:
P.A.101.4202.600.0.HC

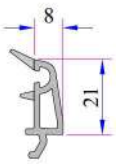


24mm Decorative Glazing Bead
Code:
P.A.101.4202.600.0.HC

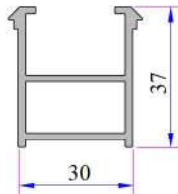


30mm Decorative Glazing Bead
Code:
P.A.332.4100.600.0.HC

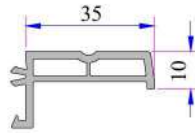
W 634 SERIES PVC PROFILE SYSTEM



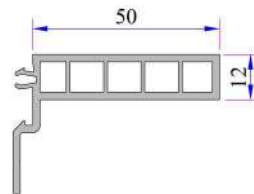
32mm Glazing Bead
Code: P.A.101.4500.600.0.HC



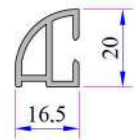
Frame Montage Profile
Code: P.A.060.5301.600.0.00



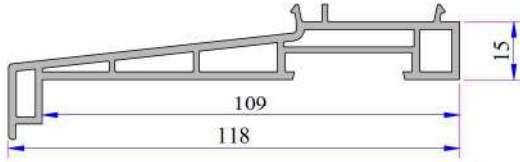
Sill Profile (35mm)
Code: P.A.099.5523.600



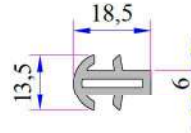
Sill Profile (50mm)
Code: P.A.099.5524.600



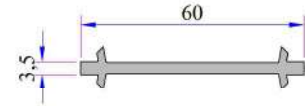
Offset Profile
Code: P.A.900.6307.600



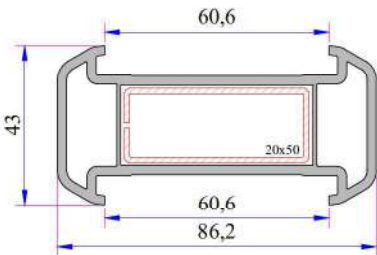
Sill Profile
Code: P.A.058.5504.600.0.00.19



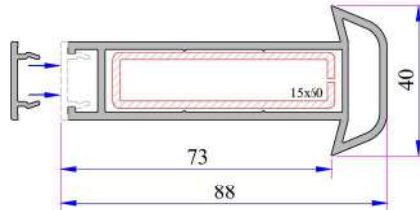
Short Coupling Profile
Code: P.A.099.5003.600



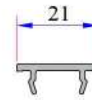
Narrow Coupling Profile
Code: P.A.060.5001.600



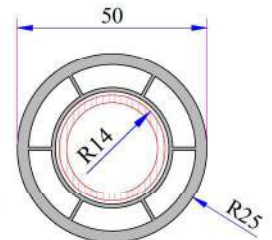
Large Coupling Profile
Code: P.A.060.5000.600.0.00.19



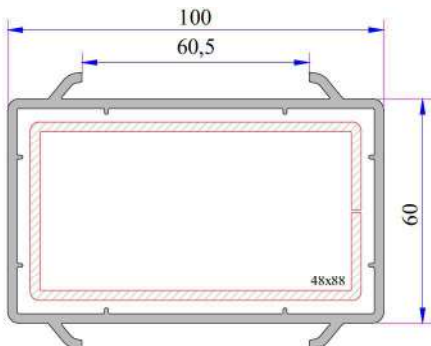
Universal Large Coupling Profile
Code: P.A.058.5000.600.0.00.19



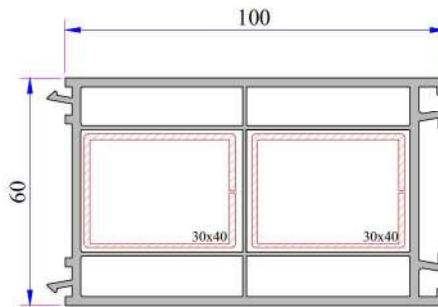
Universal Large Coupling Profile
Code: P.A.058.5707.600.0.00.19



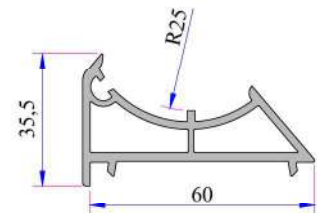
Pipe Profile
Code: P.A.900.5303.600.0.00.19



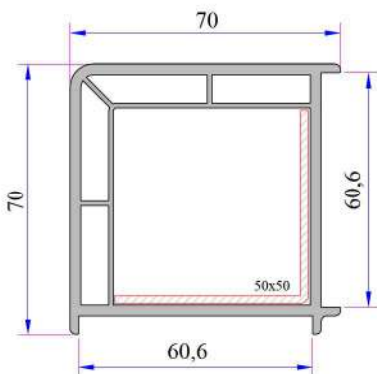
60x100 Spiked Box Profile
Code: P.A.060.5203.600.0.00.19



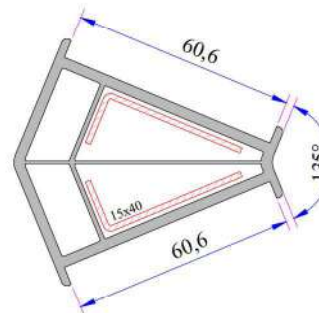
60x100 Frame Lifting Profile
Code: P.A.900.5303.600.0.00.19



Corner Lag Profile
Code: P.A.060.5104.600.0.00.19

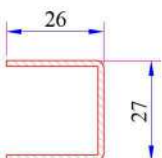


90° Corner Profile
Code: P.A.060.5100.600.0.00.19

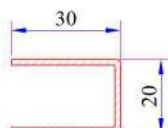


135° Corner Profile
Code: P.A.060.5102.600.0.00.19

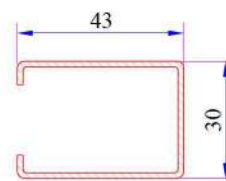
W 634 Re-Inforcement Profiles



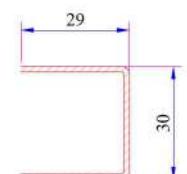
Frame, Sash, Mullion Profile Reinforcement
Code: ???



Frame With Sill Profile Reinforcement
Code: 34022-12006

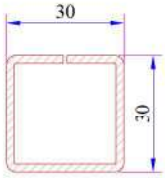


Door Sash Profile Reinforcement
Code: ???

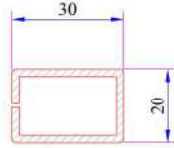


Offset Type Sash Profile Reinforcement
Code: 34022-12002

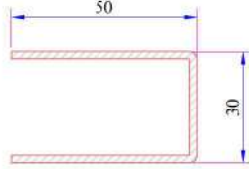
W 634 SERIES PVC PROFILE SYSTEM



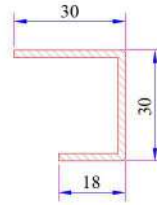
Frame - Mullion Static Reinforcement
Code: 34022-15129



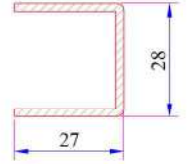
Outward Opening Mullion Profile Reinforcement
Code: 34022-12109



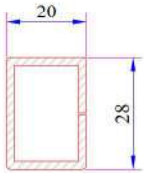
Door Sash - Outward Opening Door Sash Profile Reinforcement
Code: 34022-12013



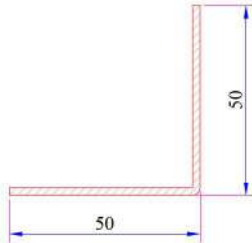
Outward Opening Sash (9 Axis) Reinforcement
Code: 34022-12022



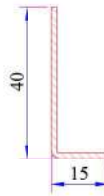
Outward Opening Sash Profile Reinforcement
Code: 34022-12020



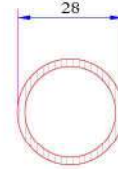
Lap Joint Profile Reinforcement
Code: 34022-12118



Corner Profile 90° Reinforcement
Code: 34022-12302



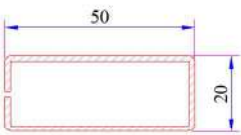
Corner Profile 135° Reinforcement
Code: 34022-12301



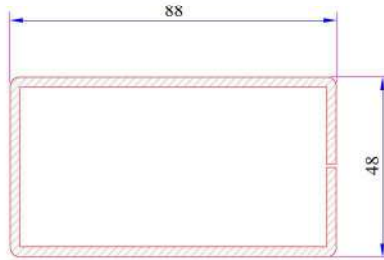
Pipe Profile Reinforcement
Code: 34022-12503



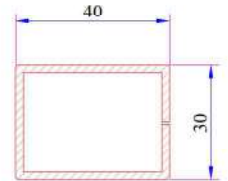
Universal Large Coupling Profile Reinforcement
Code: 34022-12123



Large Coupling Profile Reinforcement
Code: 34022-12105

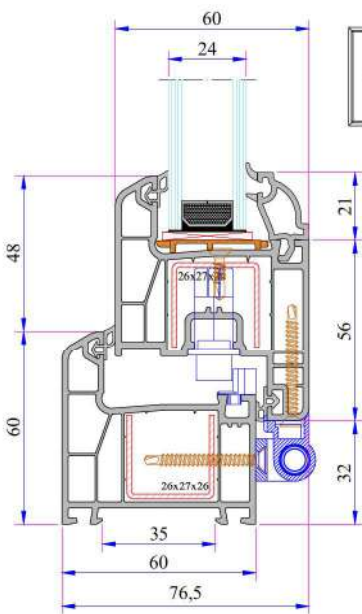


60x100 Spiked Box Profile Reinforcement
Code: 34022-12102

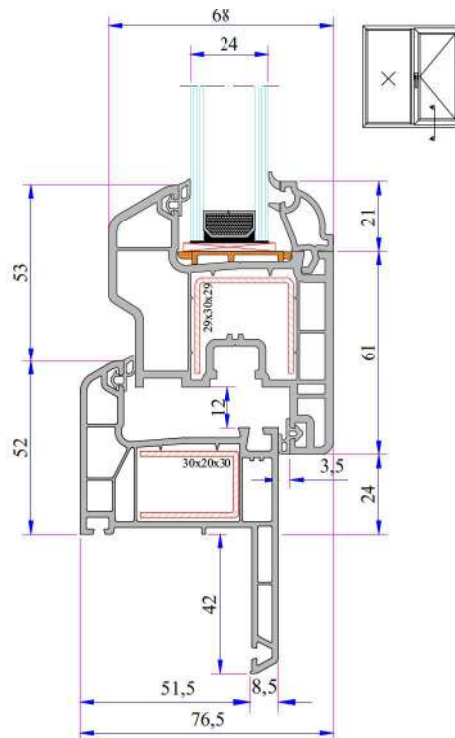


60x100 Frame Lifting Profile Reinforcement
Code: 34022-12120

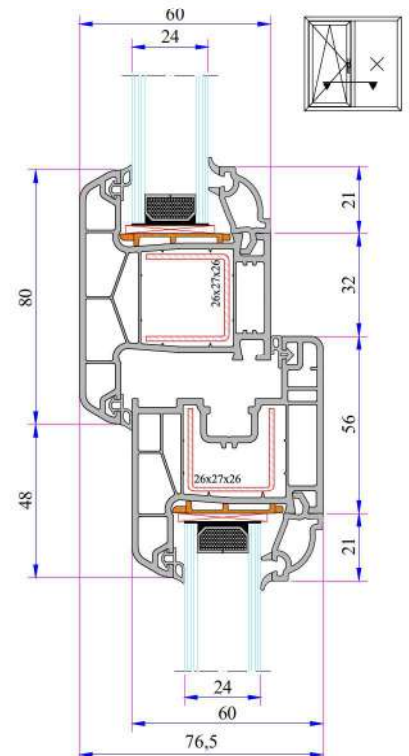
W 634 Installation



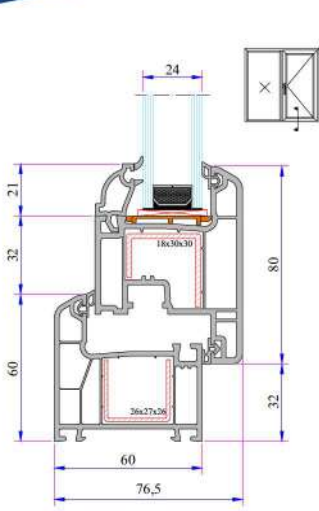
Frame - Sash Installation



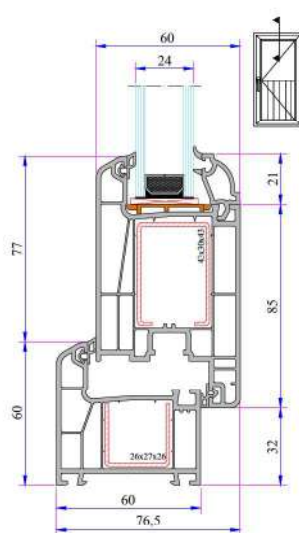
Frame - Offset Type Sash Installation



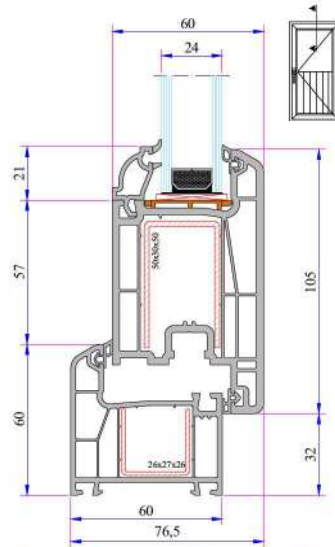
Sash - Mullion Installation



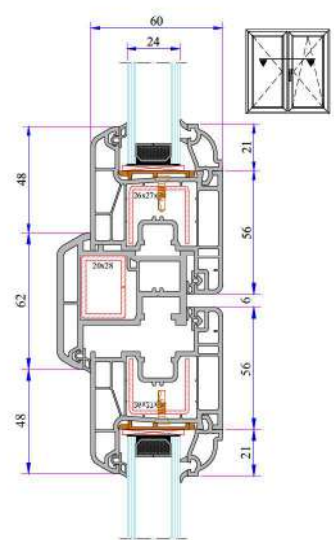
Frame - Outward Opening Sash Installation



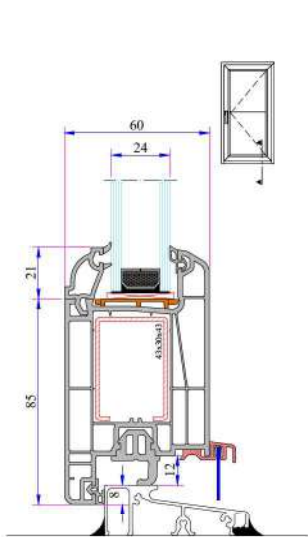
Frame - Door Sash Installation



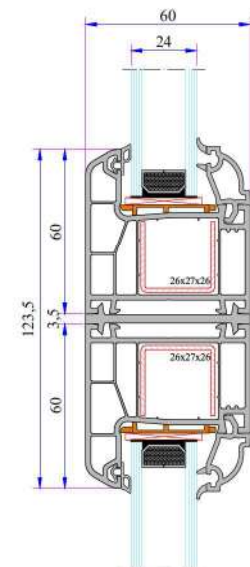
Frame - Outward Opening Door Sash Installation



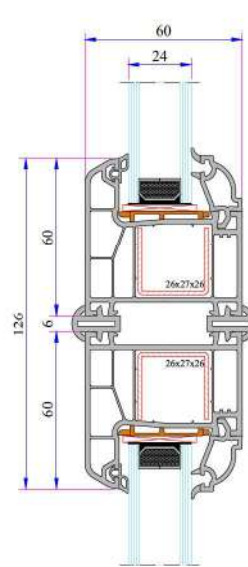
Sash - Lap Joint - Sash Installation



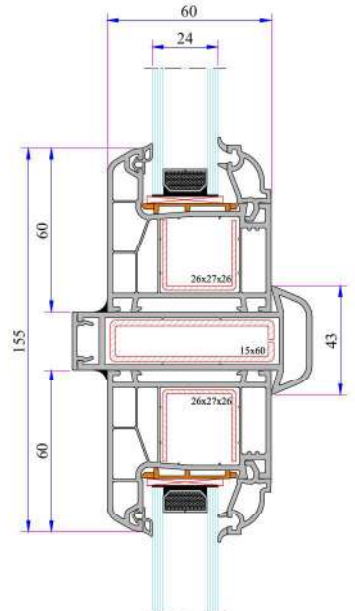
Aluminium Threshold - Door Sash Installation



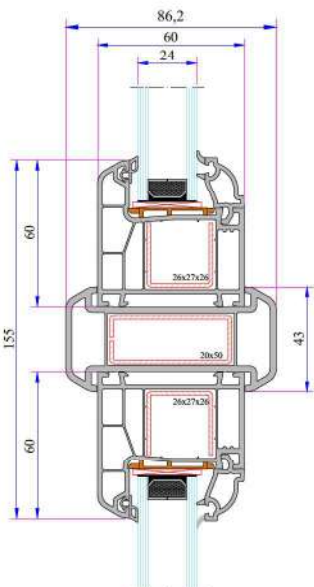
Narrow Coupling Profile Installation



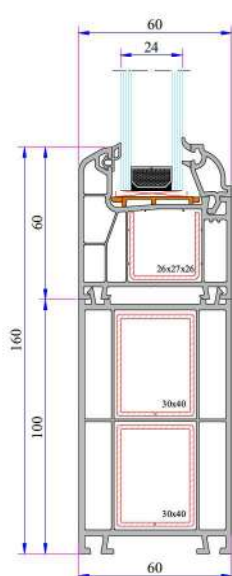
Short Coupling Profile Installation



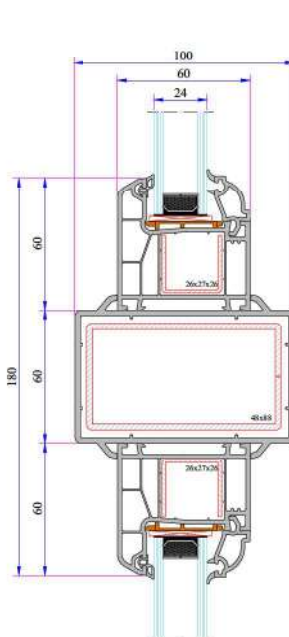
Universal Large Coupling Profile Installation



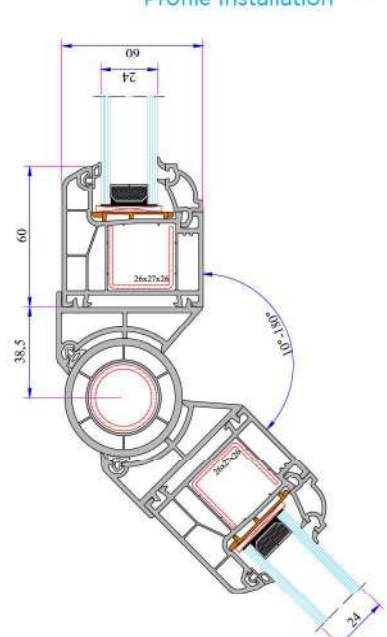
Large Coupling Profile Installation



100mm Frame Lifting Profile Installation

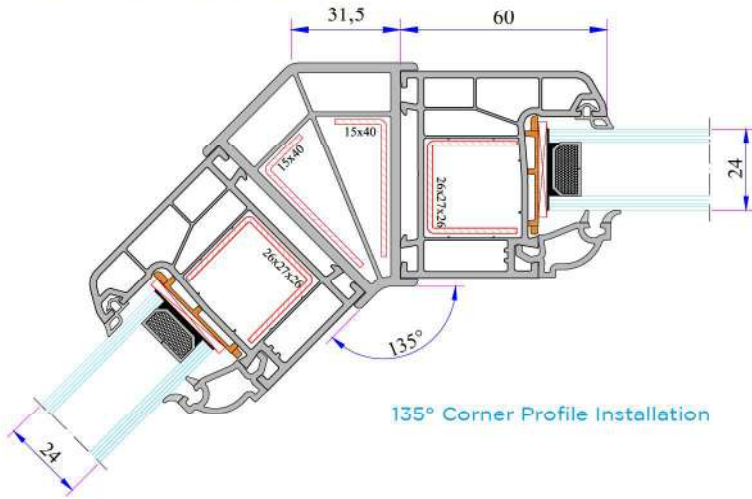


60x100 Spiked Box Profile Installation

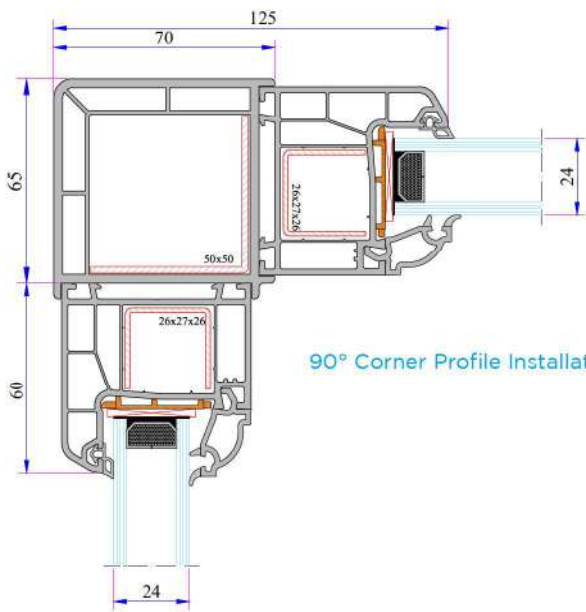


Corner And Pipe Profile Installation

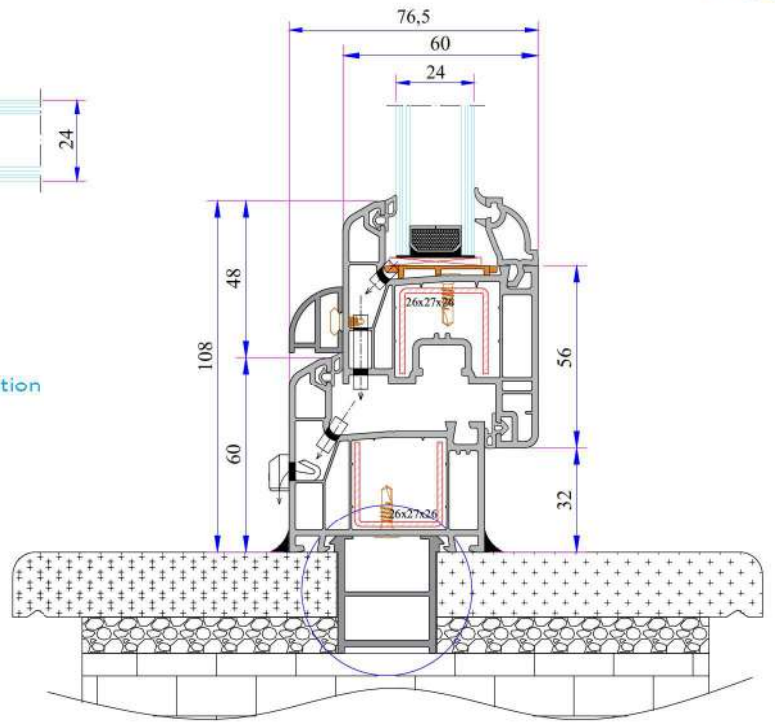
W 634 SERIES PVC PROFILE SYSTEM



135° Corner Profile Installation

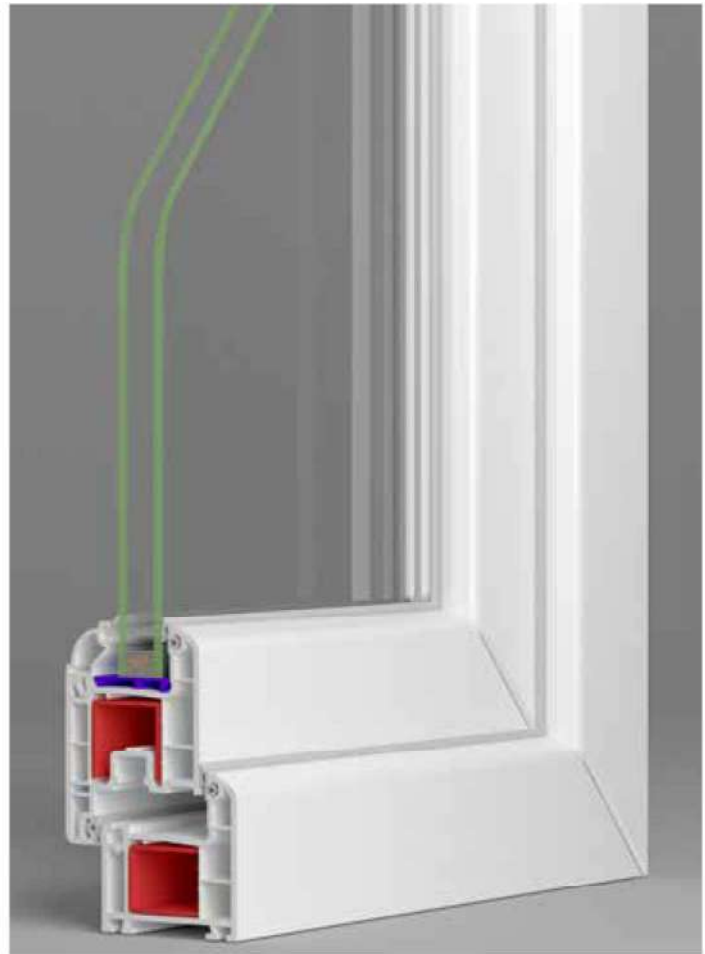
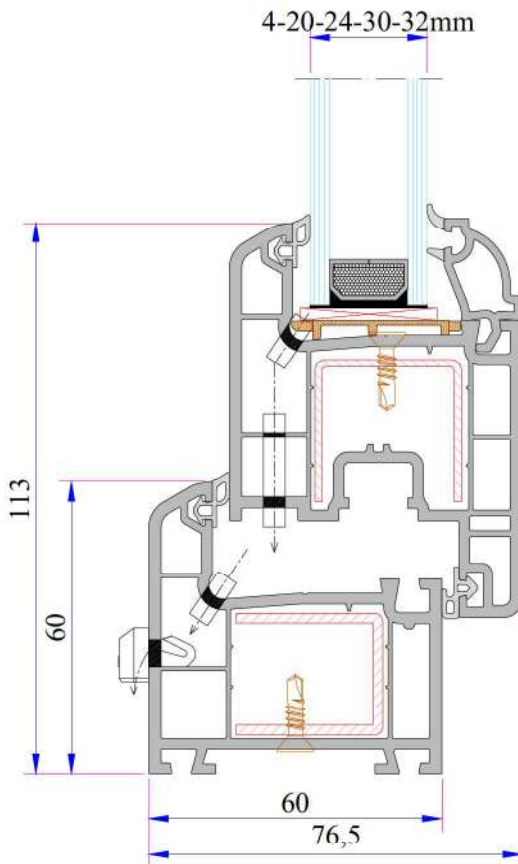


90° Corner Profile Installation



Offset Profile and Frame
Montage Profile Installation





TECHNICAL

W 632 SERIES

Profile Width: 60 mm

Number of chambers: 3

Profile Class: B Class (TS EN 12608-1)

Seal Type: External / Internal double seal system

Seal Type and Color: TPE - Grey /Black

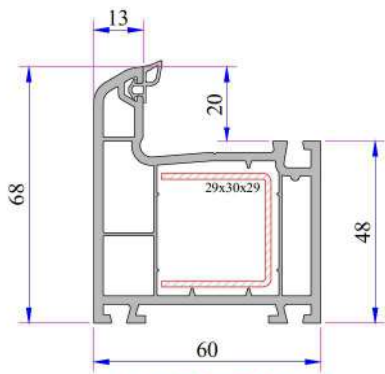
Glass Thickness (mm): 4, 20, 24, 30, 32 mm

The thermal insulation Uf: 1,58 W/m²K

INSTRUCTION

- The main profile has 60 mm width.
- Because of the elastic grey and black seal which does not leave any stain on profiles will be provided maximum air, water, dust and sound isolation.
- Due to the 3 chambers profiles, it has maximum performance for thermal, sound and water isolation.
- It is a series of profiles with very special design that provides maximum wind resistance on high rise buildings.
- Excluding normal sash profile there is also chance to have a choice for offset type sash profile.
- In addition to white profile a different laminated color range is available.
- 4-5 mm single glazing application of 20, 24, 30, 32 mm glazing beads give us alternatives of using double, triple glazing and panels.
- It provides the visual integrity in the inner surface and the frame-wall connections due to integrated frame with sill profile.

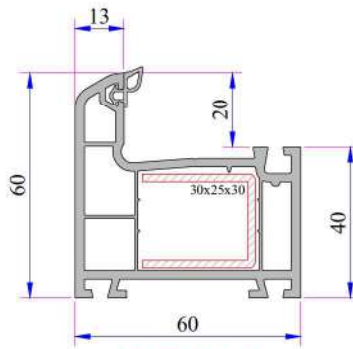
W 632 SERIES PVC PROFILE SYSTEM



Super Frame Profile

Code:

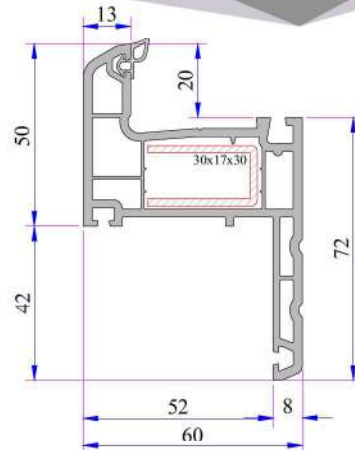
P.A.632.1001.600.0.BC.03



Frame Profile

Code:

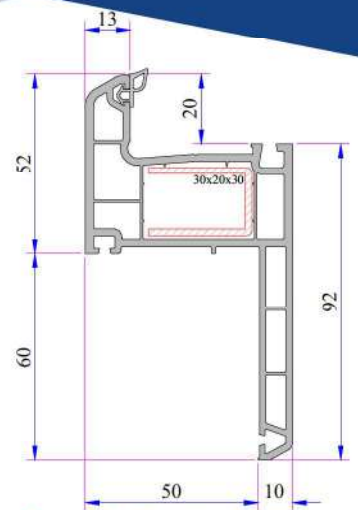
P.A.632.1000.600.0.BC.03



Frame Profile With Sill

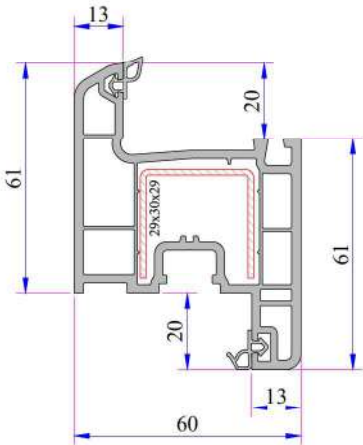
Code:

P.A.632.1200.600.0.BC.03



Frame Profile With Sill 60mm

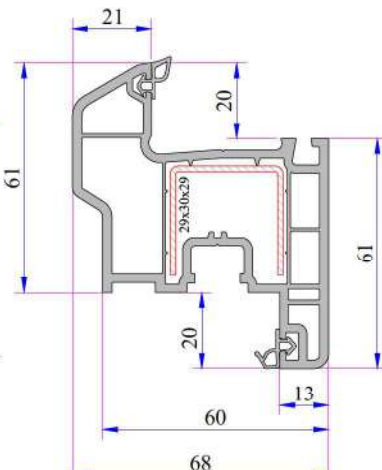
Code: P.A.632.1207.600.0.BC.03



Sash Profile

Code:

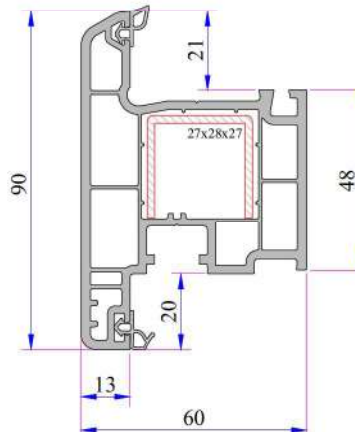
P.A.632.2000.600.0.BC.03



Offset Type Sash Profile

Code:

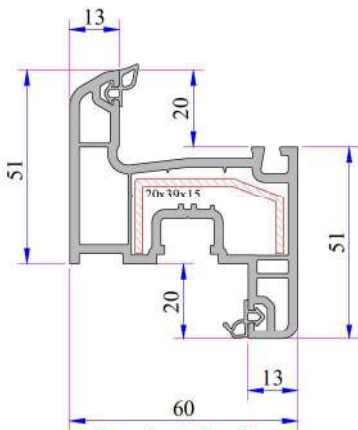
P.A.632.2200.600.0.BC.03



9 Axis Outward Opening Sash Profile

Code:

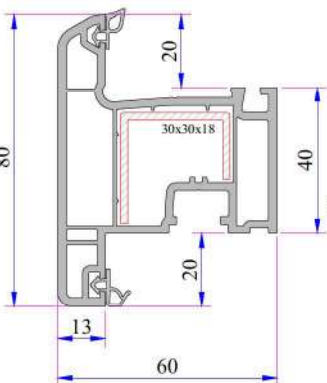
P.A.430.2001.600.0.BC.03



Eco Sash Profile

Code:

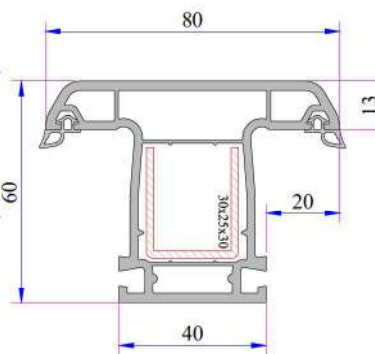
P.A.900.2005.600.0.BC.03



22 Axis Outward Opening Sash Profile

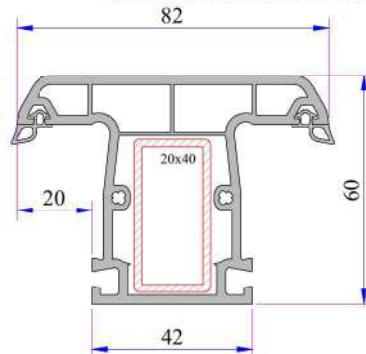
Code:

P.A.632.2014.600.0.BC.03



Mullion Profile

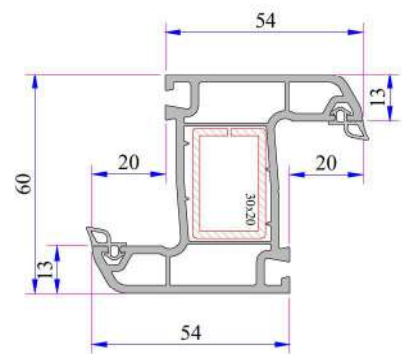
Code: P.A.632.3000.600.0.BC.03



Static Mullion Profile

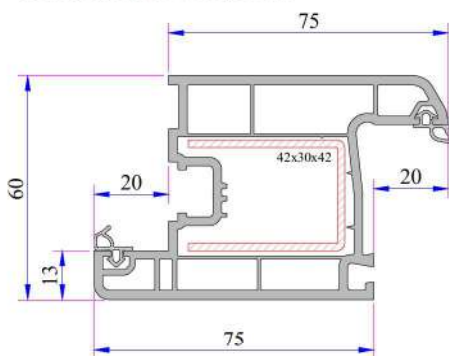
Code:

P.A.900.3003.600.0.BC.03



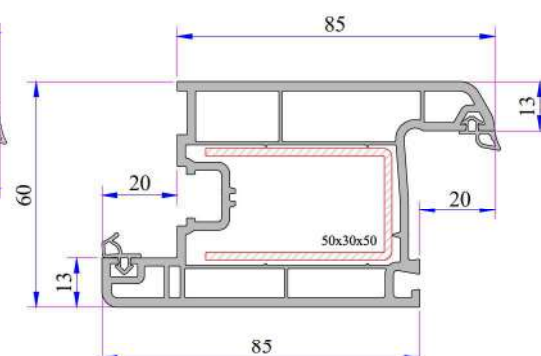
Outward Opening Mullion Profile

Code: P.A.632.3005.600.0.BC.03



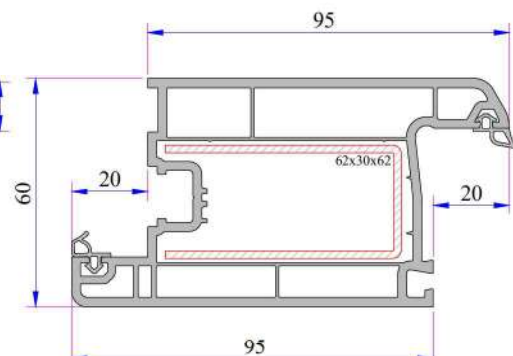
Eco Door Sash Profile

Code: P.A.632.2107.600.0.BC.03



Door Sash Profile

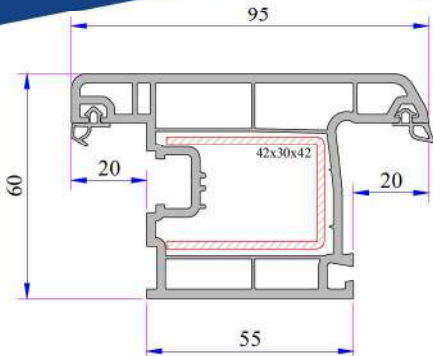
Code: P.A.632.2100.600.0.BC.03



Super Door Sash Profile

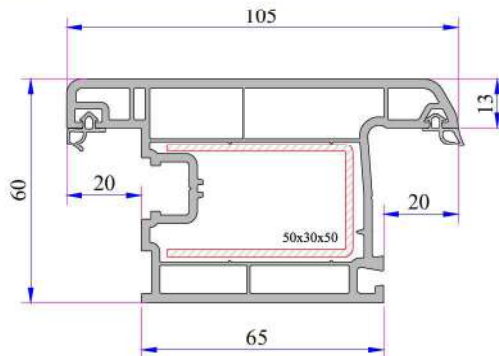
Code: P.A.632.2100.600.0.BC.03

W 632 SERIES PVC PROFILE SYSTEM



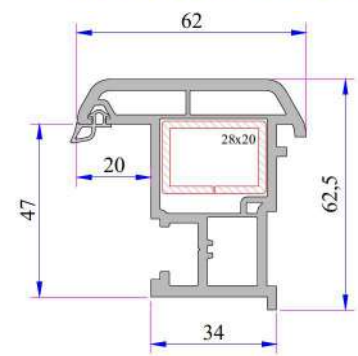
Outward Opening Eco Door Sash Profile

Code: P.A.632.2108.600.0.BC.03



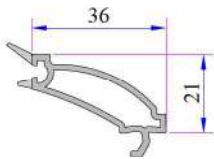
Outward Opening Door Sash Profile

Code: P.A.632.2101.600.0.BC.03



Lap Joint Profile

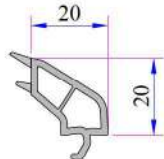
Code: P.A.632.3100.600.0.BC.19



Single Glazing Bead 4-6 mm

Code:

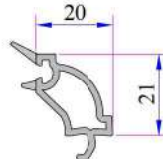
P.A.101.4002.600.0.HC



Double Glazing Bead 20 mm

Code:

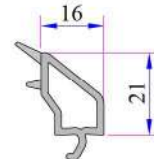
P.A.101.4100.600.0.HC



Double Glazing Bead 20 mm

Code:

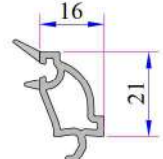
P.A.101.4102.600.0.HC



Double Glazing Bead 24 mm

Code:

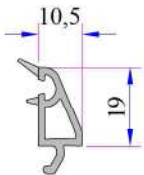
P.A.750.4500.600.0.HC (White)



Double Glazing Bead 24 mm

Code:

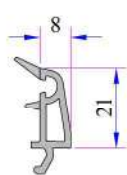
P.A.101.4202.600.0.HC



Double Glazing Bead 30 mm

Code:

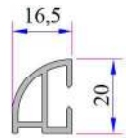
P.A.332.4100.600.0.HC



Double Glazing Bead 32 mm

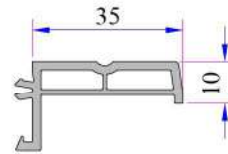
Code:

P.A.101.4500.600.0.HC



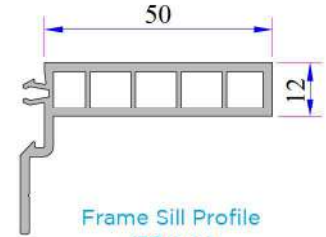
Offset Profile

Code: P.A.900.6307.600



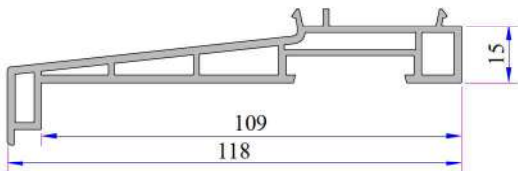
Frame Sill Profile (35mm)

Code: P.A.099.5523.600



Frame Sill Profile (50mm)

Code: P.A.099.5524.600



Sill Profile

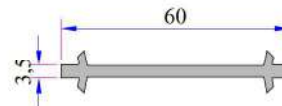
Code: P.A.058.5504.600.0.00.19



Universal Large Coupling Profile Cover

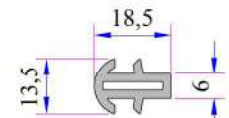
Code:

P.A.058.5707.600.0.00.19



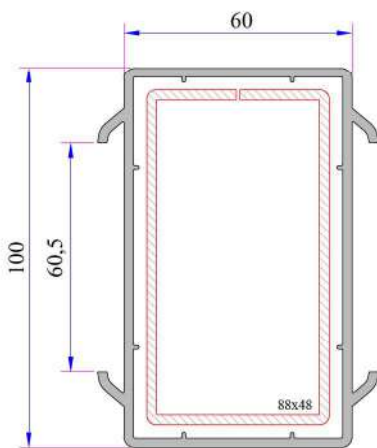
Narrow Couple Profile

Code: P.A.060.5001.600



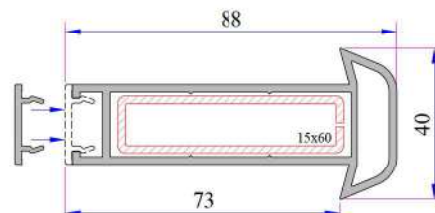
Short Coupling Profile

Code: P.A.099.5003.600



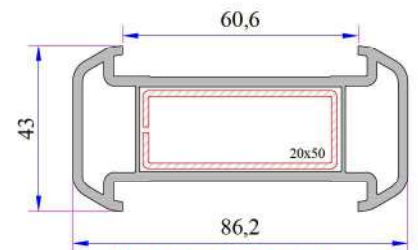
60x100 Spiked Box Profile

Code: P.A.060.5203.600.0.00



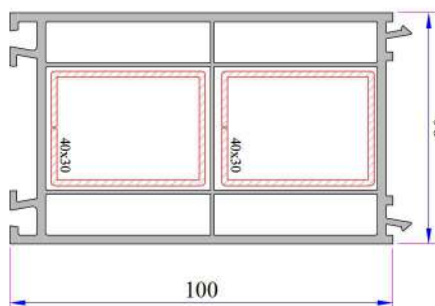
Universal Large Coupling Profile

Code: P.A.058.5000.600.0.00.19



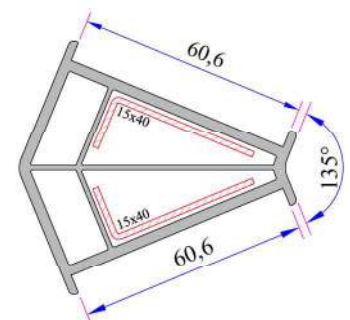
Large Coupling Profile

Code: P.A.060.5000.600.0.00.19



60x100 Frame Lifting Profile

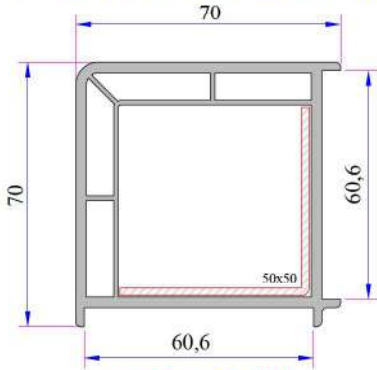
Code: P.A.900.5303.600.0.00.19



135° Corner Profile

Code: P.A.060.5102.600.0.00.19

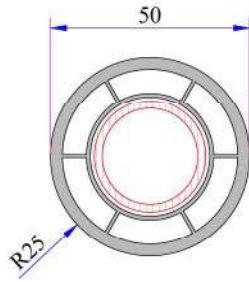
W 632 SERIES PVC PROFILE SYSTEM



90° Corner Profile

Code:

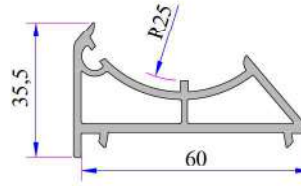
P.A.060.5100.600.0.00.19



Pipe Profile

Code:

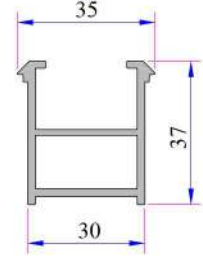
P.A.050.5106.600



Corner Lag Profile

Code:

P.A.060.5104.600.0.00.19

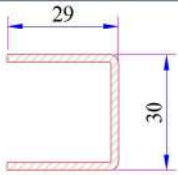


Frame Montage Profile

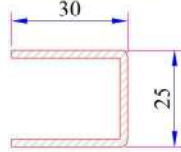
Code:

P.A.060.5301.600.0.00.19

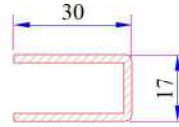
W 632 Re-Inforcement Profiles



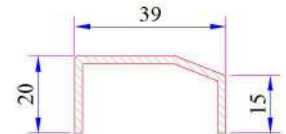
Super Frame - Sash - Offset Type Sash Profile Reinforcement
Code: 34022-12002



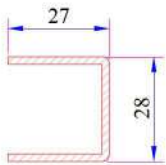
Frame - Mullion Profile Reinforcement
Code: 34022-12004



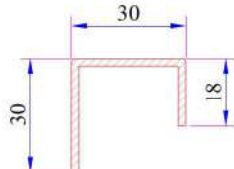
Frame Profile with Sill Reinforcement
Code: 34022-12032



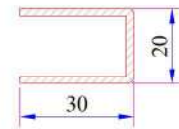
Narrow Sash Profile Reinforcement
Code: 34022-12031



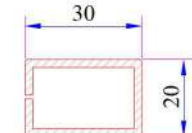
9 Axis Outward Opening Sash Profile Reinforcement
Code: 34022-12020



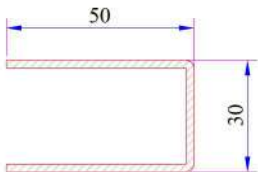
22 Axis Outward Opening Sash Profile Reinforcement
Code: 34022-12022



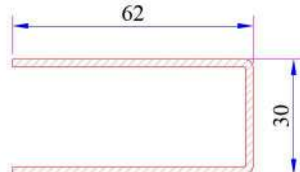
Frame Profile with Sill 60mm Reinforcement
Code: 34022-12006



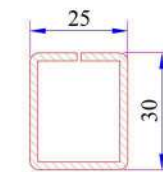
Outward Opening Mullion Profile Reinforcement
Code: 34022-12109



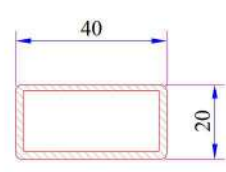
Door Sash - Outward Opening Door Sash Profile Reinforcement
Code: 34022-12013



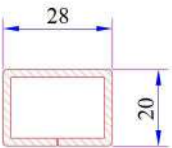
Super Door Sash Profile Reinforcement
Code: 34022-12029



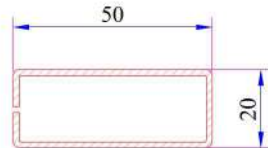
Mullion Profile Static Reinforcement
Code: 34022-12004



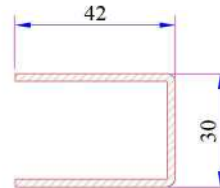
Static Mullion Profile Reinforcement
Code: 34022-12114



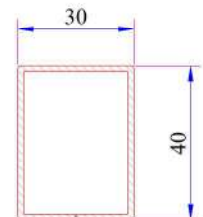
Lap Joint Profile Reinforcement
Code: 34022-12118



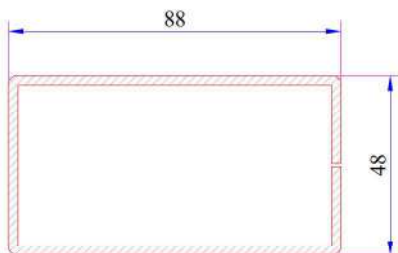
Large Couple Profile Reinforcement
Code: 34022-12105



Eco Door Sash - Outward Opening Eco Door Sash Profile Reinforcement
Code: 34022-12023

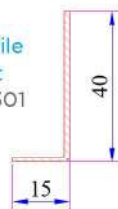


60x100 Frame Lifting Profile Reinforcement
Code: 34022-12120

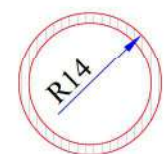
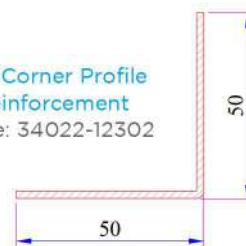


60x100 mm Box Profile Reinforcement
Code: 34022-12102

135° Corner Profile Reinforcement
Code: 34022-12301

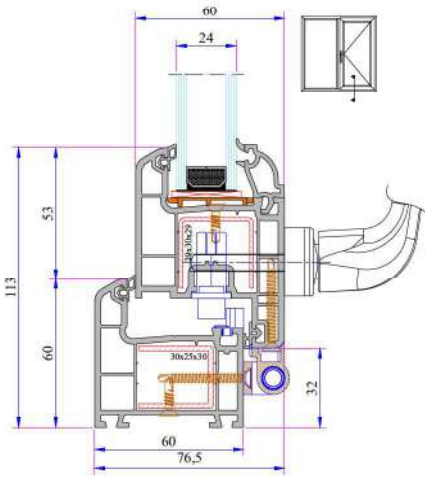


90° Corner Profile Reinforcement
Code: 34022-12302

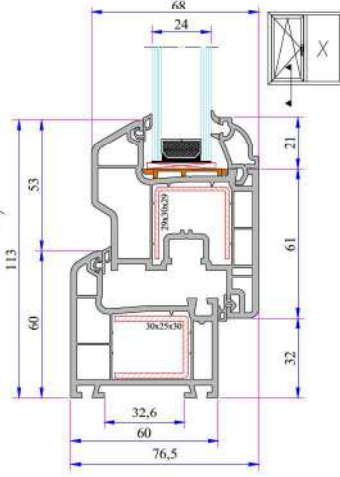


Pipe Profile
Code: 34022-12503

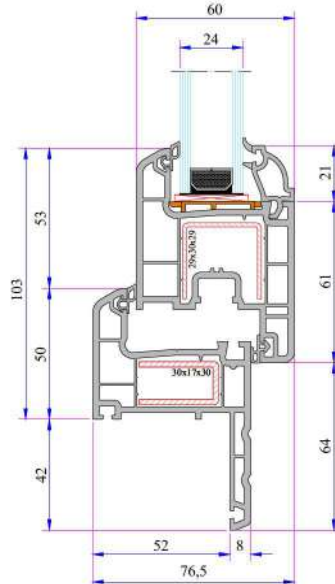
W 632 Installation



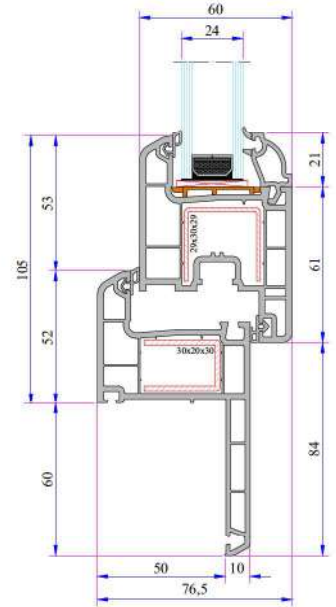
Frame - Sash Installation



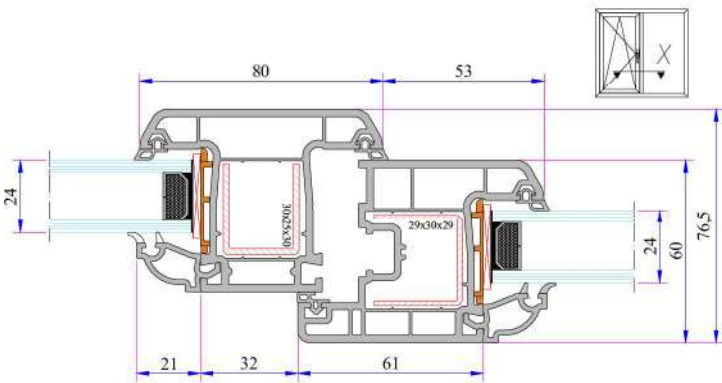
Frame - Offset Type Sash Installation



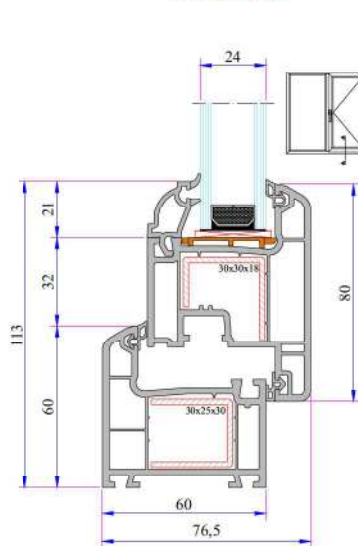
Frame with Sill - Sash Installation



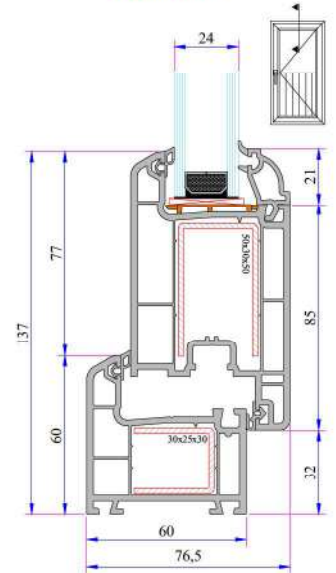
Frame with Sill (60mm) - Sash Installation



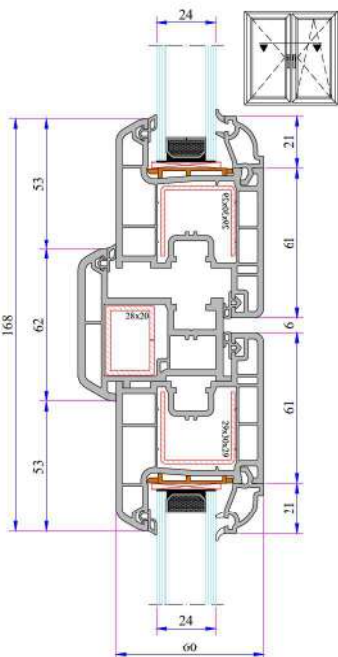
Mullion - Sash Installation



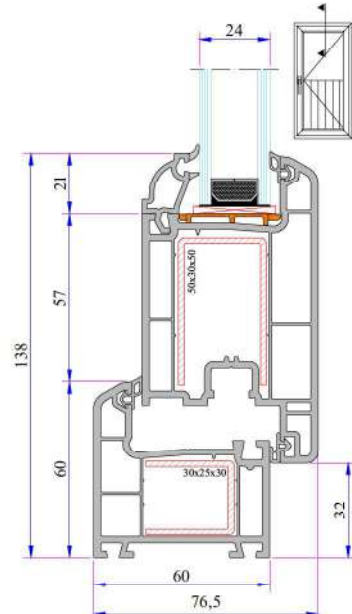
Frame - Outward Opening Sash Installation



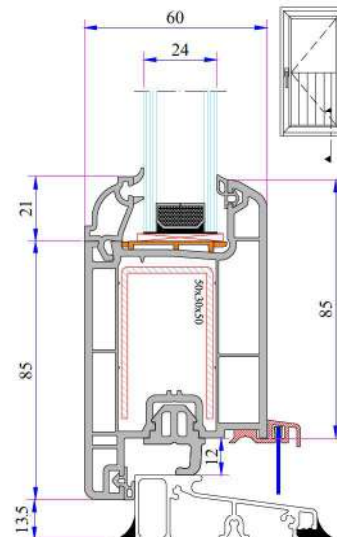
Frame - Door Sash Installation



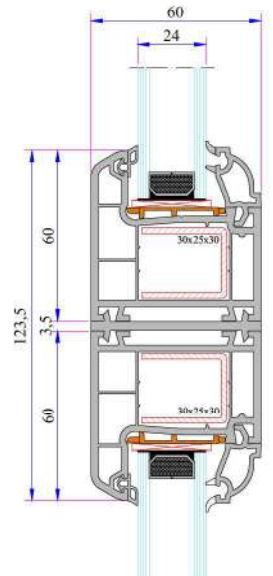
Sash - Lap Joint - Sash Installation



Frame - Outward Opening Door Sash Installation

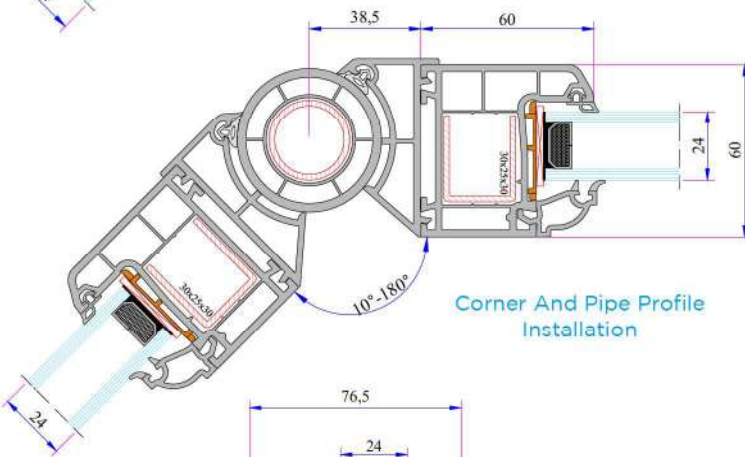
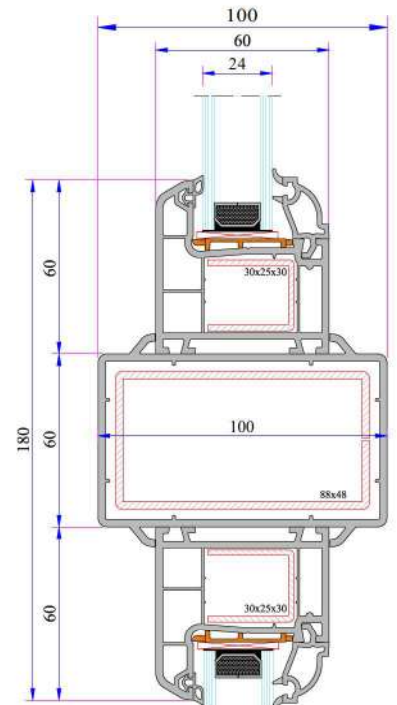
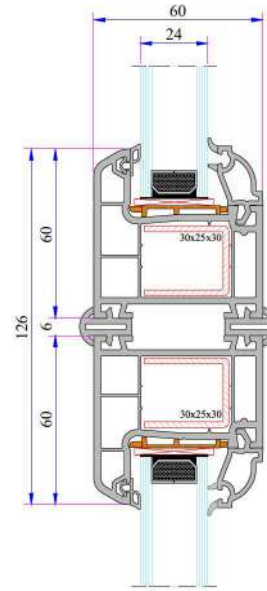
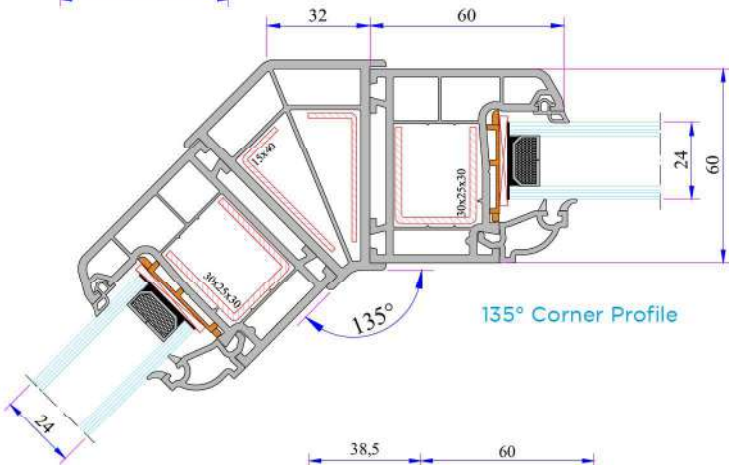
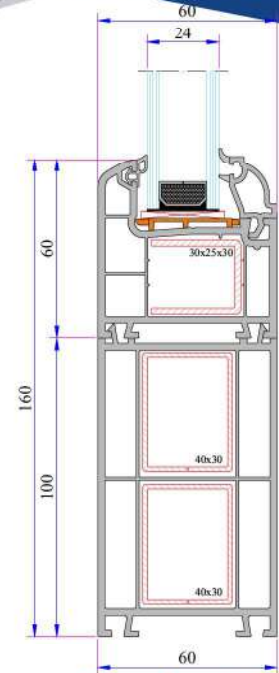
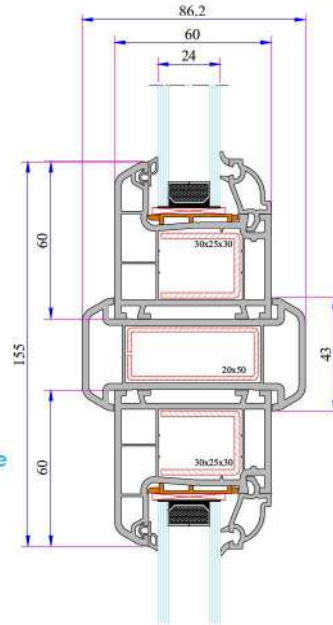
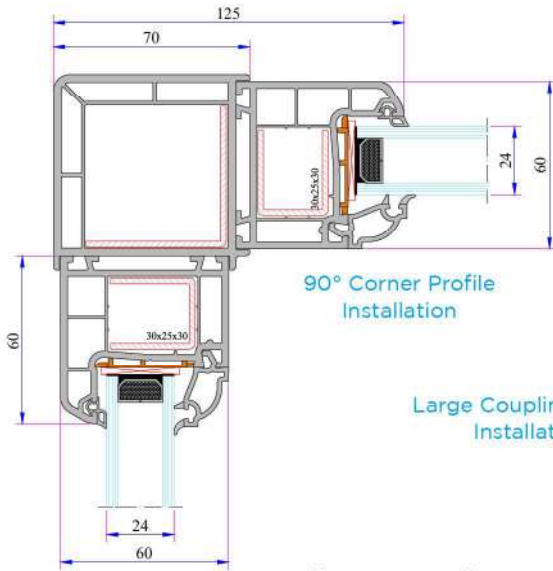


With Aluminium Threshold Frame Door Sash Installation



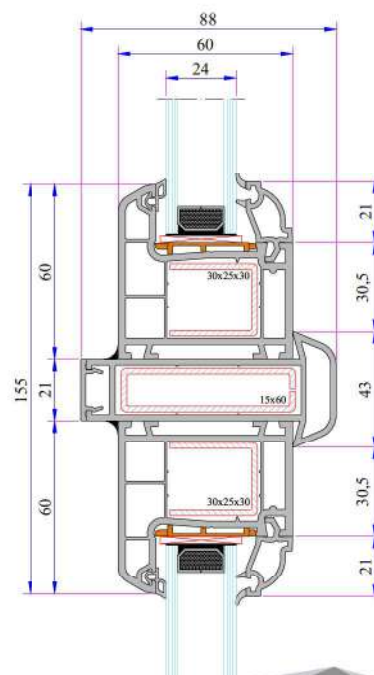
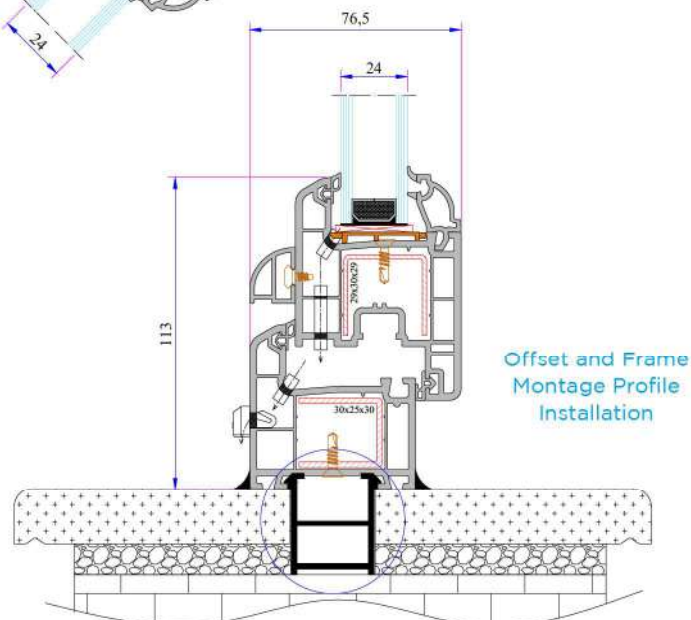
Narrow Coupling Profile Installation

W 632 SERIES PVC PROFILE SYSTEM

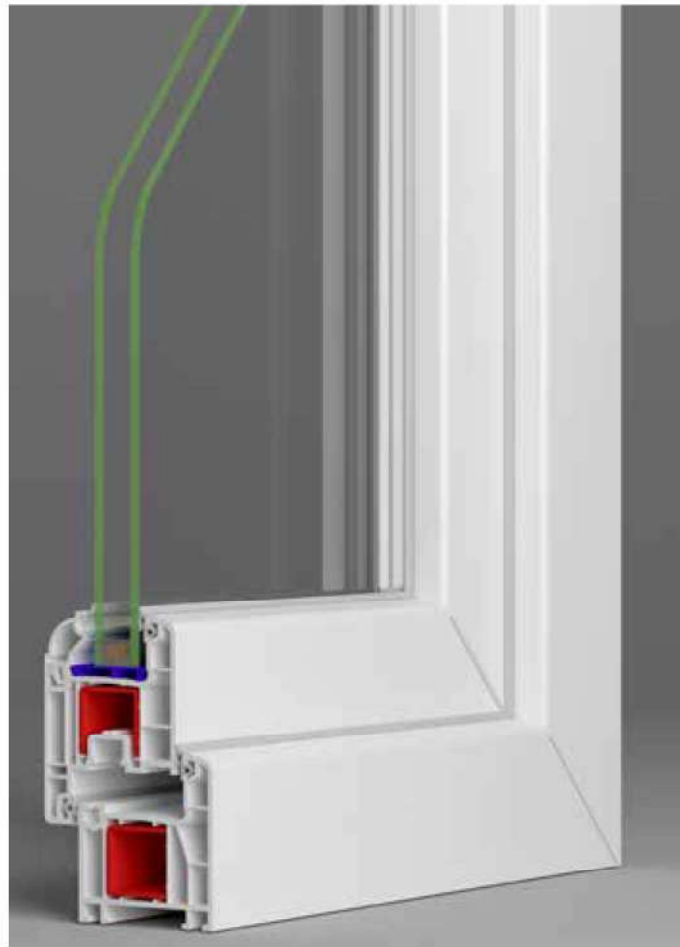
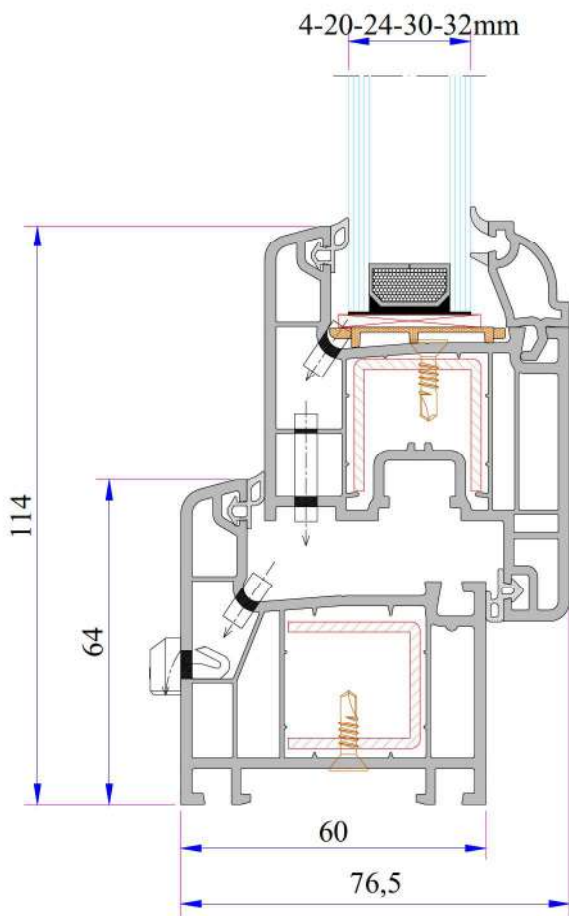


Short Coupling Profile Installation

60x100 Box Profile Installation



Universal Large Coupling Profile Installation



TECHNICAL

W 624 SERIES

Profile Width: 60 mm

Number of chambers: 4

Profile Class: C Class (TS EN 12608-1)

Seal Type: External / Internal double seal system

Seal Type and Color: TPE - Grey /Black

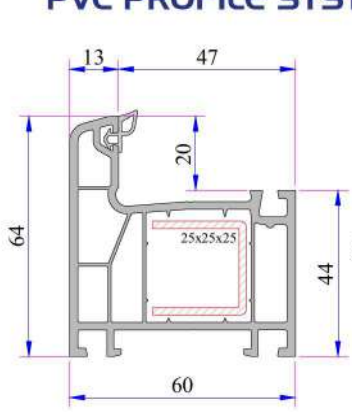
Glass Thickness (mm): 4, 20, 24, 30, 32 mm

The thermal insulation Uf: 1,45 W/m²K

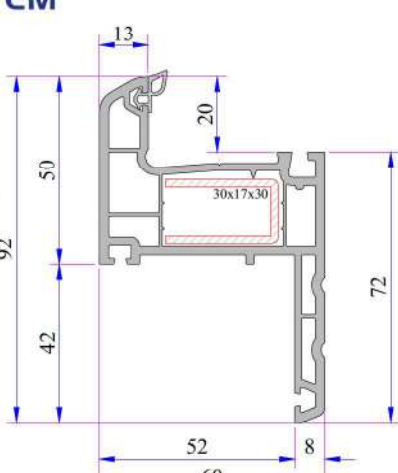
INSTRUCTION

- The main profile has 60 mm width.
- Because of the elastic grey and black seal which does not leave any stain on profiles will be provided maximum air, water, dust and sound isolation.
- Due to the 4 chambers profiles, it has maximum performance for thermal, sound and water isolation.
- It is a series of profiles with very special design that provides maximum wind resistance on high rise buildings.
- Excluding normal sash profile there is also chance to have a choice for offset type sash profile.
- In addition to white profile a different laminated color range is available.
- 4-5 mm single glazing application of 20, 24, 30, 32 mm glazing beads give us alternatives of using double, triple glazing and panels.

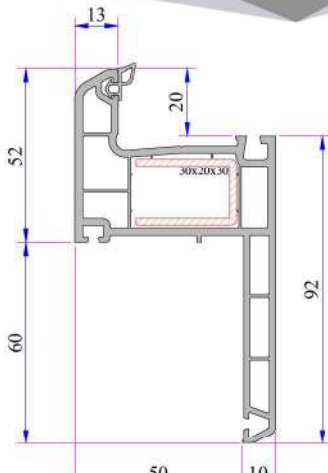
W 624 SERIES PVC PROFILE SYSTEM



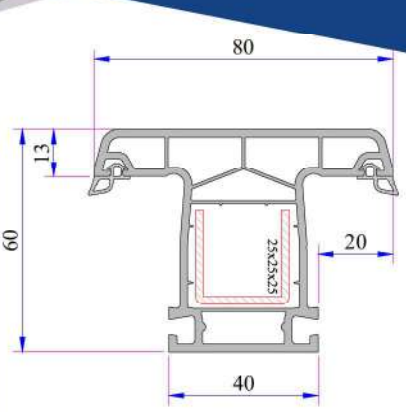
Frame Profile
Code:
P.A.624.1000.6000.BC.03



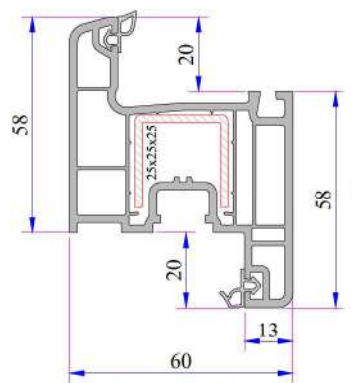
Frame Profile with Sill
Code:
P.A.632.1200.600.0.BC.03



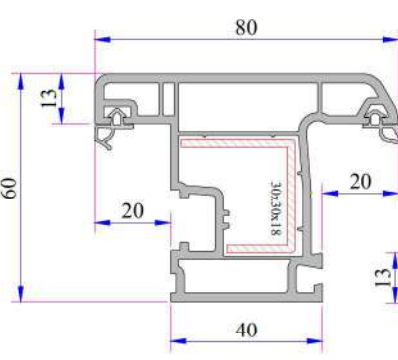
Frame Profile With Sill 60mm
Code:
P.A.632.1207.600.0.BC.03



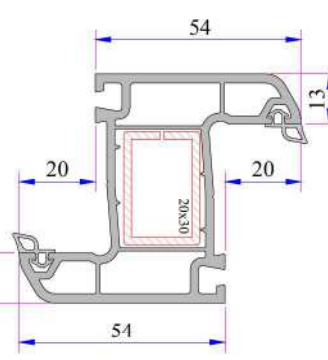
Mullion Profile
Code:
P.A.624.3000.600.0.BC.03



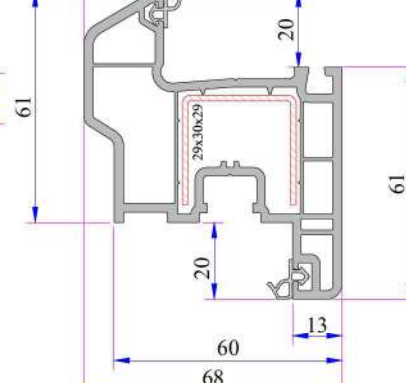
Sash Profile
Code:
P.A.624.2000.600.0.BC.03



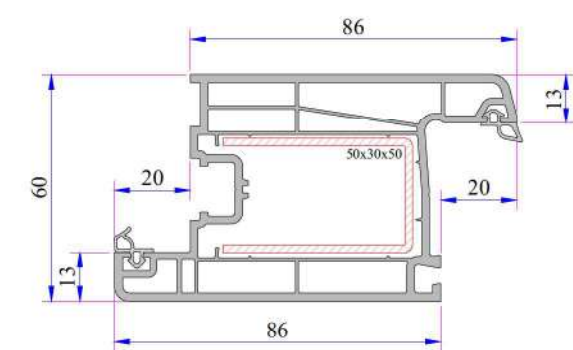
Outward Opening Sash Profile
Code:
P.A.632.2014.600.0.BC.03



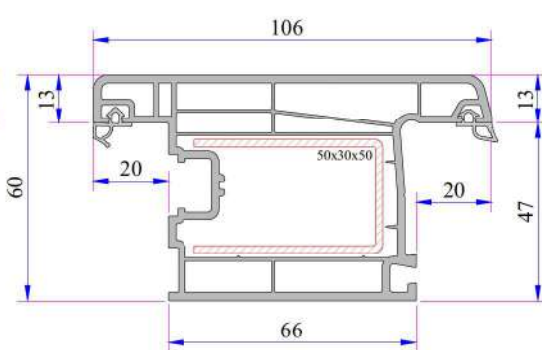
Outward Opening Mullion Profile
Code:
P.A.632.3005.600.0.BC.03



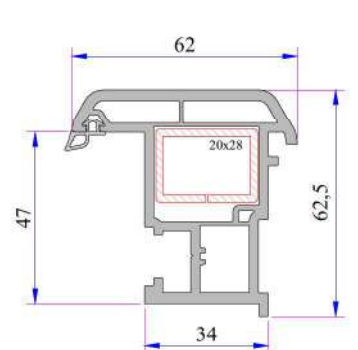
Offset Type Sash Profile
Code:
P.A.632.2200.600.0.BC.03



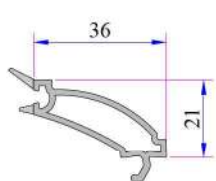
Door Sash Profile
Code: P.A.624.2100.600.0.BC.03



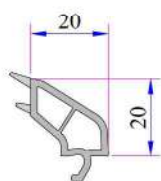
Outward Opening Door Sash Profile
Code: P.A.624.2101.600.0.BC.03



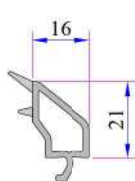
Lap Joint Profile
Code:
P.A.632.3100.600.0.BC.19



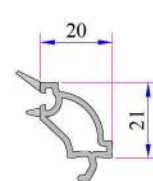
Single Glazing Bead 4-6 mm
Code:
P.A.101.4002.600.0.HC



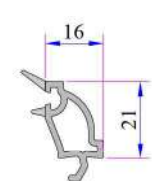
Double Glazing Bead 20 mm
Code:
P.A.101.4100.600.0.HC



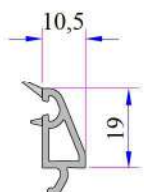
Double Glazing Bead 24 mm
Code:
P.A.750.4500.600.0.HC
(White)



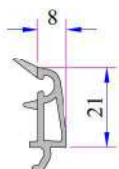
Double Glazing Bead 20 mm
Code:
P.A.101.4102.600.0.HC



Double Glazing Bead 24 mm
Code:
P.A.101.4202.600.0.HC

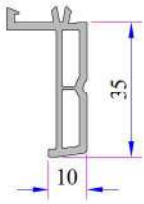


Triple Glazing Bead 30 mm
Code: P.A.332.4100.600.0.HC

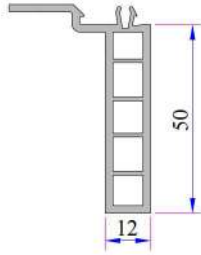


Triple Glazing Bead 30 mm
Code: P.A.101.4500.600.0.HC

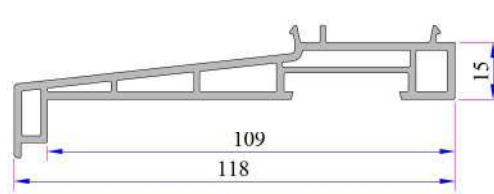
W 624 SERIES PVC PROFILE SYSTEM



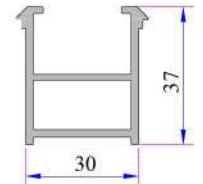
Frame Sill Profile (35mm)
Code: P.A.099.5523.600



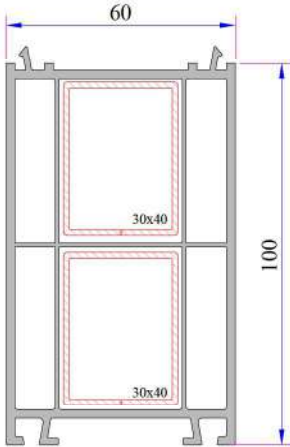
Frame Sill Profile (50mm)
Code: P.A.099.5524.600



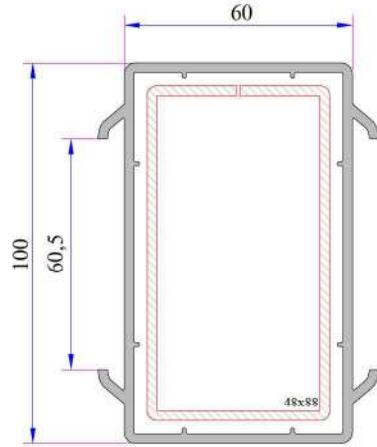
Sill Profile
Code: P.A.058.5504.600.0.00.19



Frame Montage Profile
Code: P.A.060.5301.600.0.00.19



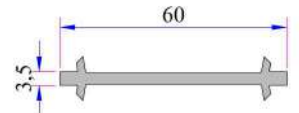
60x100 Frame Lifting Profile
Code: P.A.900.5303.600.0.00.19



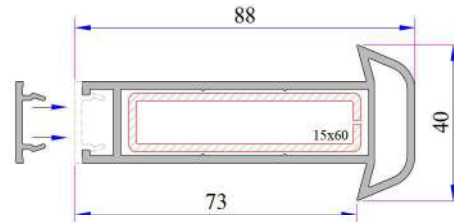
60x100 Spiked Box Profile
Code: P.A.060.5203.600.0.00.19



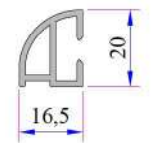
Universal Large Coupling Cover Profile
Code: P.A.058.5707.600.0.00.19



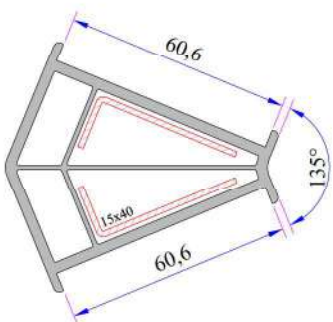
Narrow Coupling Profile
Code: P.A.060.5001.600



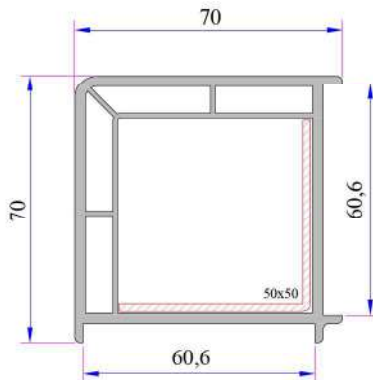
Universal Large Coupling Profile
Code: P.A.058.5000.600.0.00.19



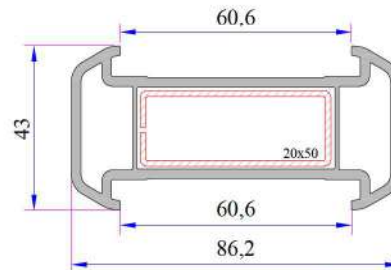
Offset Profile
Code: P.A.900.6307.600



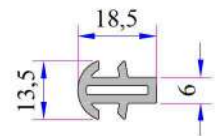
135° Corner Profile
Code: P.A.060.5102.600.0.00.19



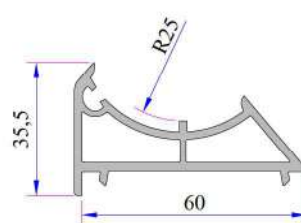
90° Corner Profile
Code: P.A.060.5100.600.0.00.19



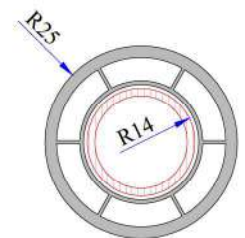
Large Coupling Profile
Code: P.A.060.5000.600.0.00.19



Short Coupling Profile
Code: P.A.099.5003.600

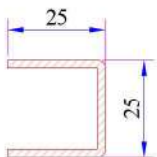


Corner Lag Profile
Code: P.A.060.5104.600.0.00.19

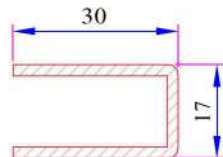


Pipe Profile
Code: P.A.050.5106.600

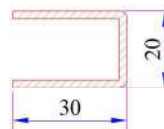
W 624 Re-Inforcement Profiles



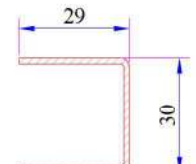
Frame - Mullion - Sash - Profile Reinforcement
Code: 34022-12003



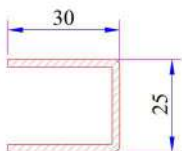
Frame Profile with Sill Reinforcement
Code: 34022-12032



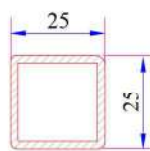
Frame Profile with Sill 60mm Reinforcement
Code: 34022-12006



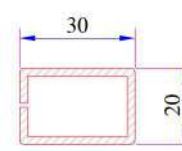
Offset Type Sash Profile Reinforcement
Code: 34022-12002



Mullion Profile Reinforcement
Code: 34022-12004

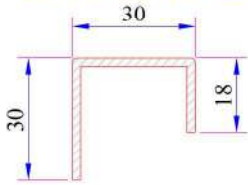


Mullion Profile Static Reinforcement
Code: 34022-12122

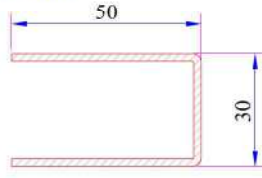


Outward Opening Mullion Profile Reinforcement
Code: 34022-12109

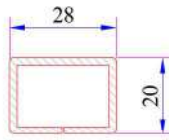
W 624 SERIES PVC PROFILE SYSTEM



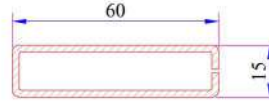
22 Axis. Outward Opening Sash Profile Reinforcement
Code: 34022-12022



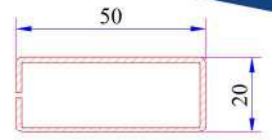
Door Sash - Outward Opening Door Sash Profile Reinforcement
Code: 34022-12013



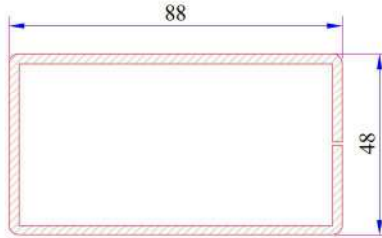
Lap Joint Profile Reinforcement
Code: 34022-12118



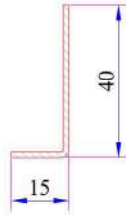
Universal Large Coupling Profile Reinforcement
Code: 34022-12123



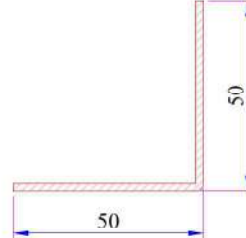
Large Couple Profile Reinforcement
Code: 34022-12105



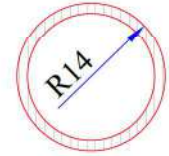
60x100 mm Box Profile Reinforcement
Code: 34022-12102



135° Corner Profile Reinforcement
Code: 34022-12301



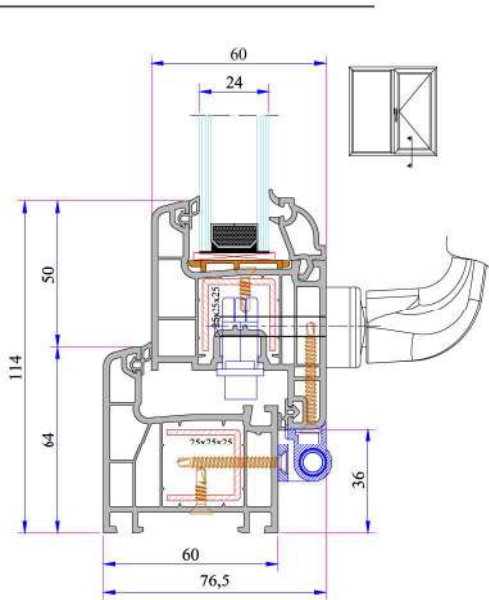
90° Corner Profile Reinforcement
Code: 34022-12302



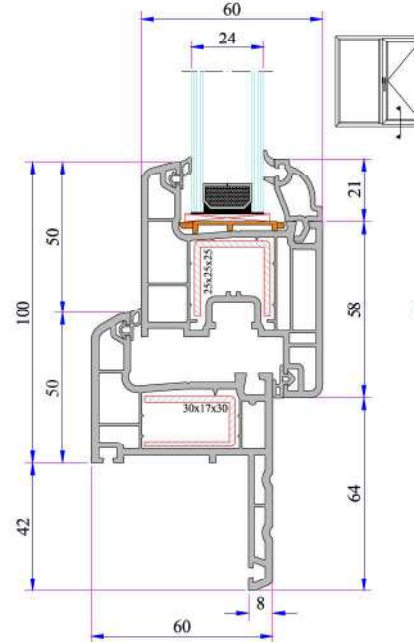
Pipe Profile Reinforcement
Code: 34022-12503

W 624 Installation

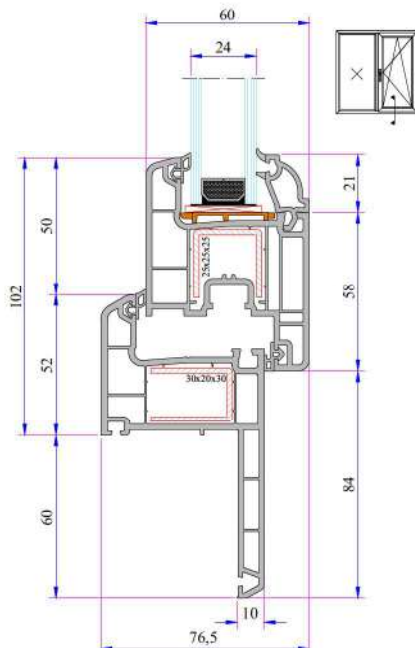
Frame - Sash Installation



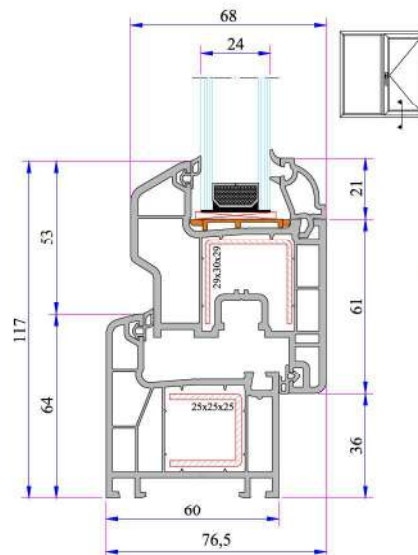
Frame with Sill - Sash Installation

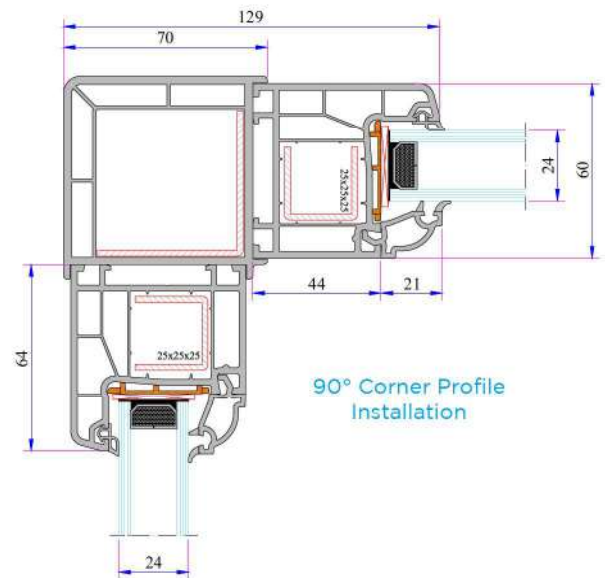
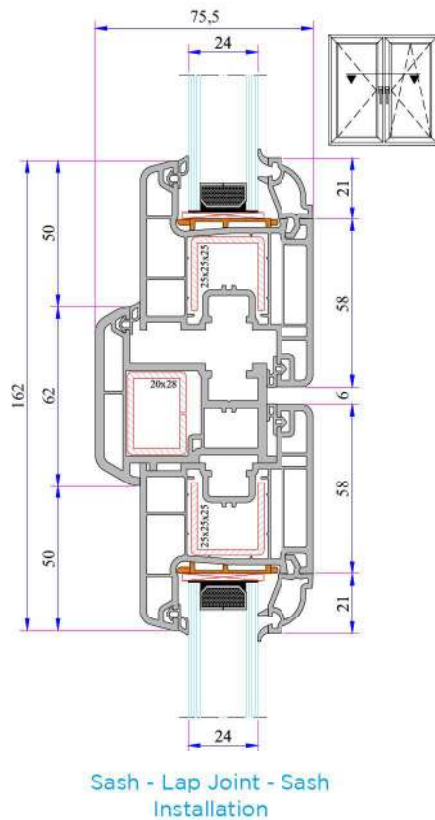
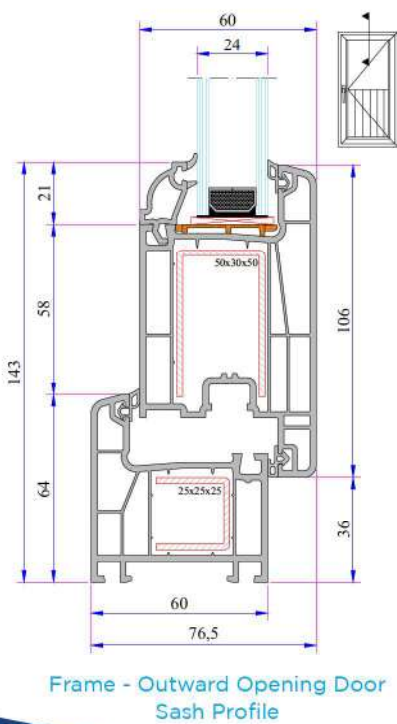
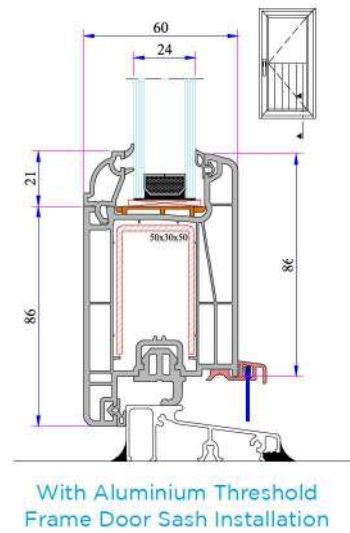
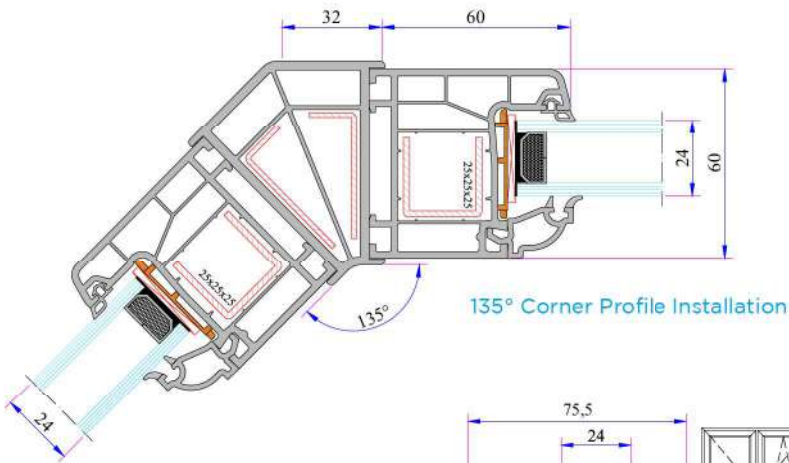
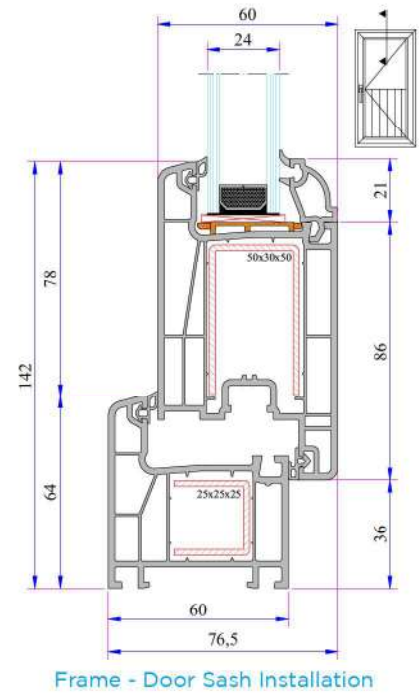
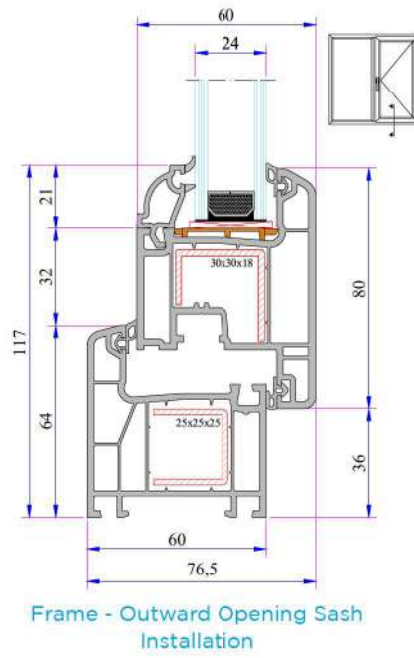
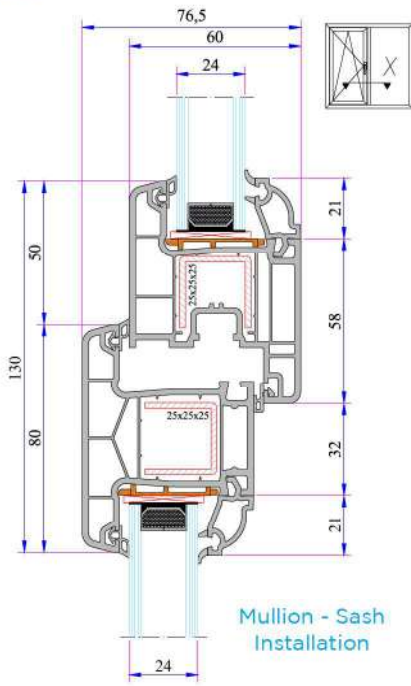


Frame with Sill (60mm) - Sash Installation

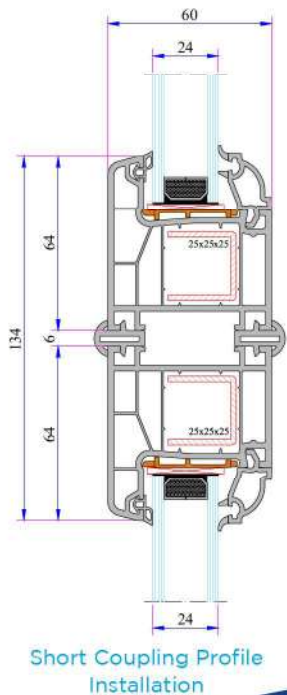
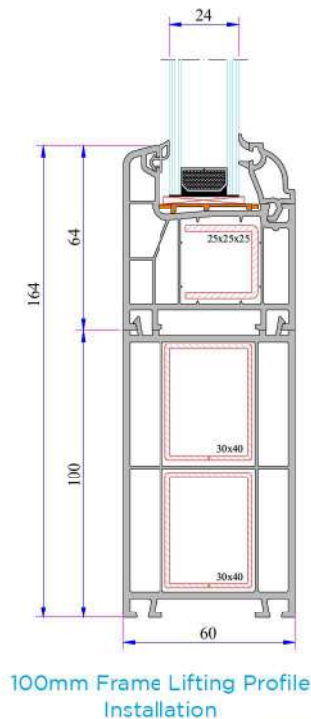
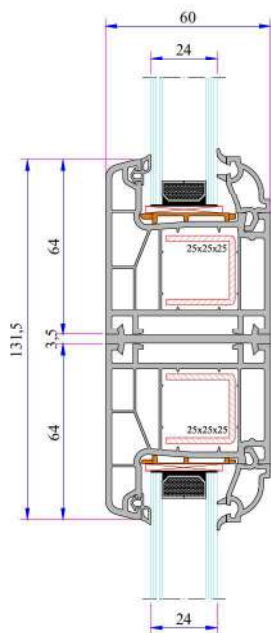
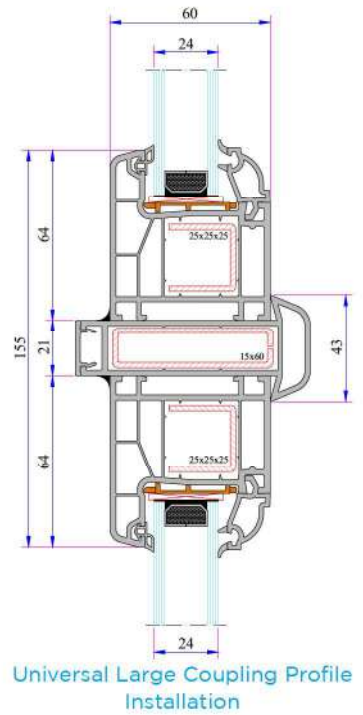
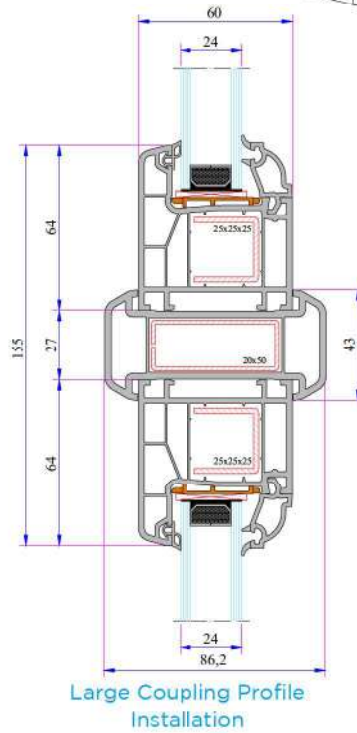
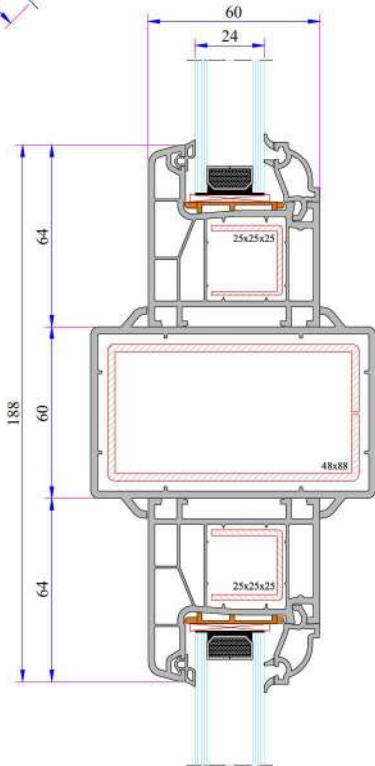
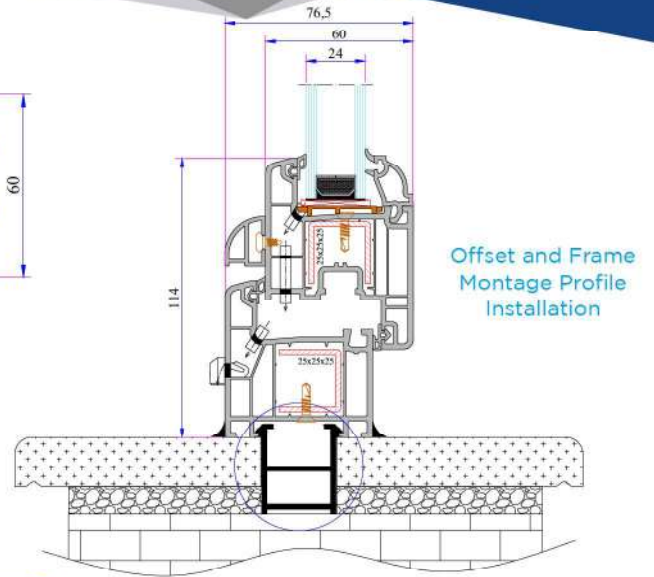
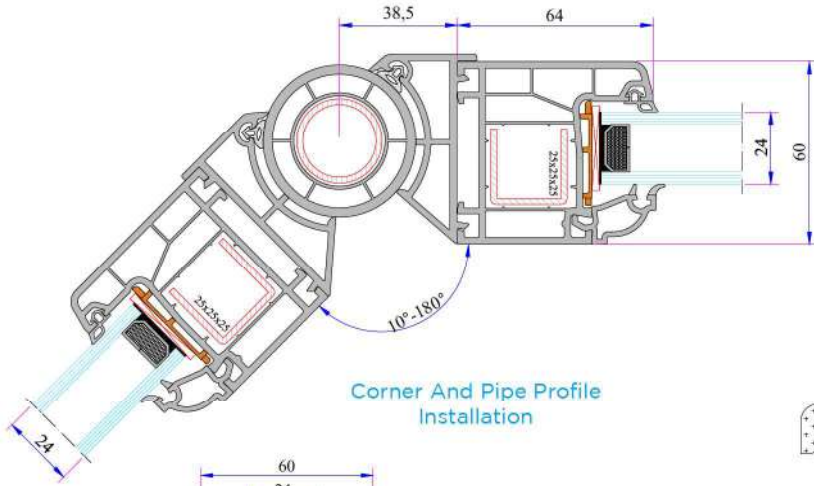


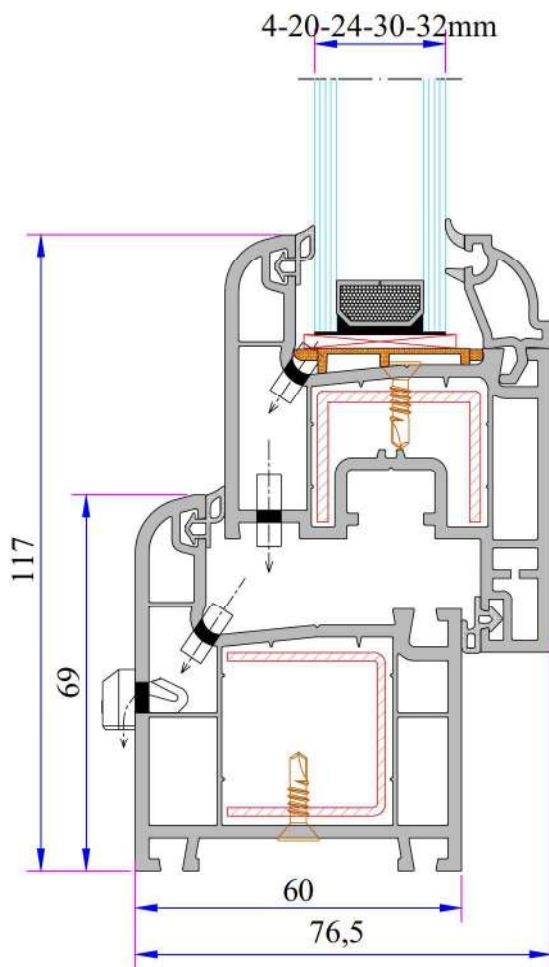
Frame - Offset Type Sash Installation





W 624 SERIES PVC PROFILE SYSTEM





TECHNICAL

WO 60 SERIES (101 SERIES)

Profile Width: 60 mm

Number of chambers: 3

Profile Class: B Class (TS EN 12608-1)

Seal Type: External / Internal double seal system

Seal Type and Color: TPE - Grey /Black

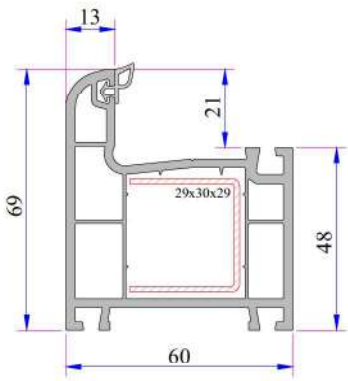
Glass Thickness (mm): 4, 20, 24, 30, 32 mm

The thermal insulation Uf: 1,56 W/m²K

INSTRUCTION

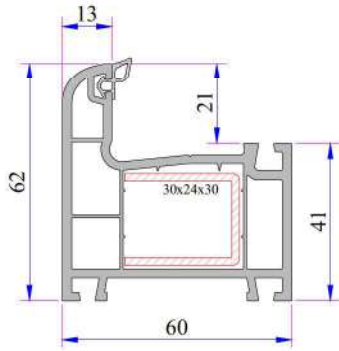
- The main profile has 60 mm width.
- Because of the elastic grey and black seal which does not leave any stain on profiles will be provided maximum air, water, dust and sound isolation.
- Due to the 3 chambers profiles, it has maximum performance for thermal, sound and water isolation.
- It is a series of profiles with very special design that provides maximum wind resistance on high rise buildings.
- Excluding normal sash profile there is also chance to have a choice for offset type sash profile.
- In addition to white profile a different laminated color range is available.
- 4-5 mm single glazing application of 20, 24, 30, 32 mm glazing beads give us alternatives of using double, triple glazing and panels.

WO 60 SERIES PVC PROFILE SYSTEM



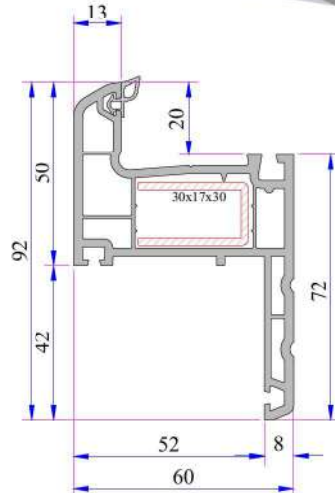
Super Frame Profile

Code: P.A.101.1001.600.0.BC.03



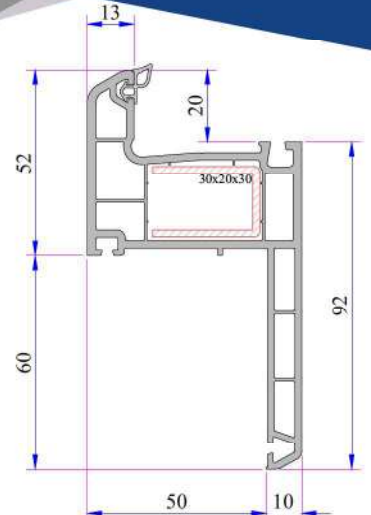
Frame Profile

Code: P.A.101.1000.600.0.BC.03



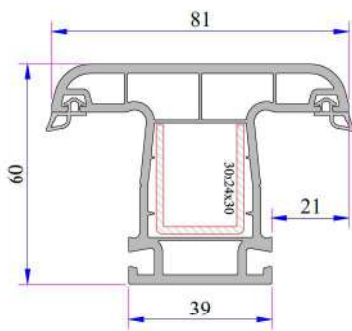
Frame Profile with Sill

Code: P.A.632.1200.600.0.BC.03



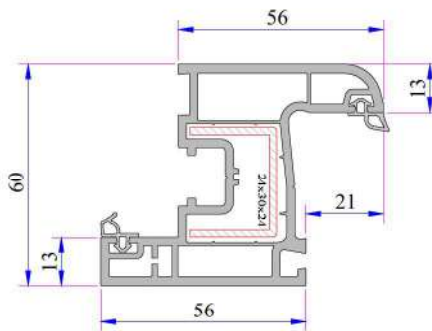
Frame Profile With Sill 60mm

Code: P.A.632.1207.600.0.BC.03



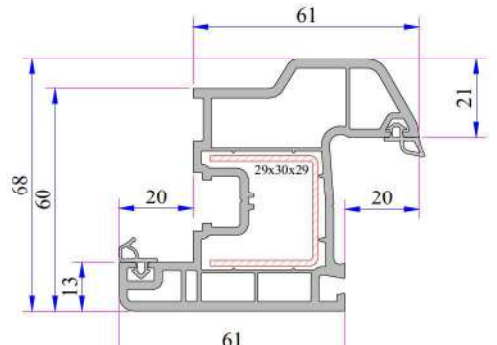
Mullion Profile

Code: P.A.101.3000.600.0.BC.03



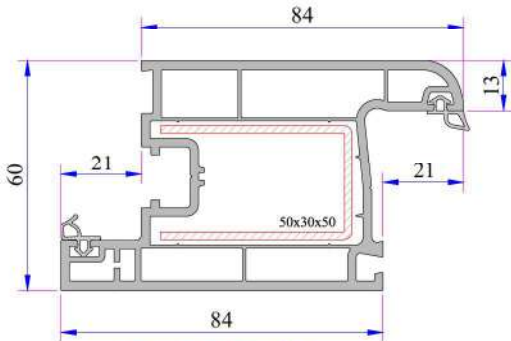
Sash Profile

Code: P.A.101.2000.600.0.BC.03



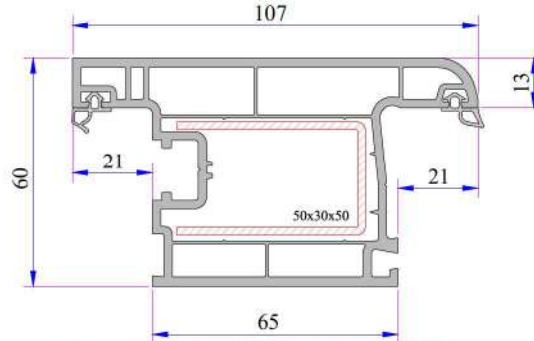
Offset Type Sash Profile

Code: P.A.632.2200.600.0.BC.03



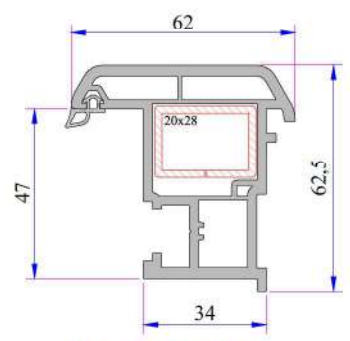
Door Sash Profile

Code: P.A.101.2100.600.0.BC.03



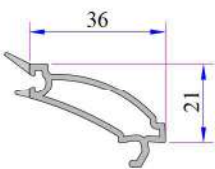
Outward Opening Door Sash Profile

Code: P.A.101.2101.600.0.BC.03



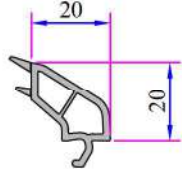
Lap Joint Profile

Code: P.A.632.3100.600.0.BC.19



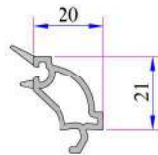
Single Glazing Bead 4mm

Code: P.A.101.4002.600.0.HC



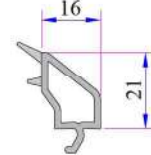
Double Glazing Bead 20mm

Code: P.A.101.4100.600.0.HC



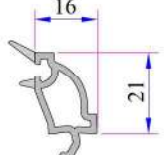
Double Glazing Bead 20mm

Code: P.A.101.4102.600.0.HC



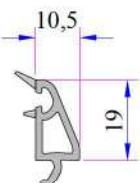
Double Glazing Bead 24mm

Code: P.A.750.4500.600.0.HC (White)



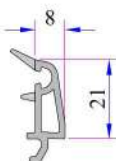
Double Glazing Bead 24mm

Code: P.A.101.4202.600.0.HC



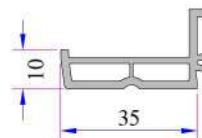
Triple Glazing Bead 30mm

Code: P.A.332.4100.600.0.HC



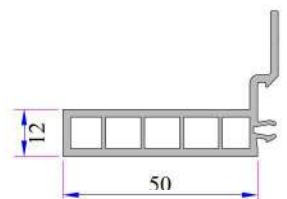
Triple Glazing Bead 32mm

Code: P.A.101.4500.600.0.HC



Frame Sill Profile (35mm)

Code: P.A.099.5523.600



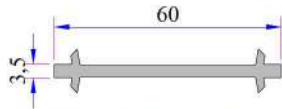
Frame Sill Profile (50mm)

Code: P.A.099.5524.600

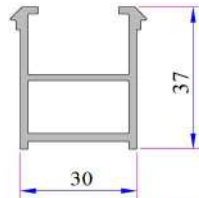
WO 60 SERIES PVC PROFILE SYSTEM



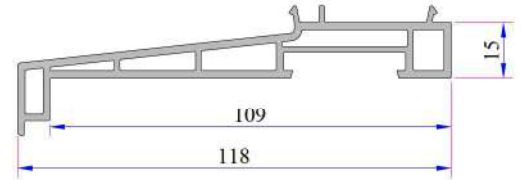
Universal Large Coupling Cover Profile
Code: P.A.058.5707.600.0.00.19



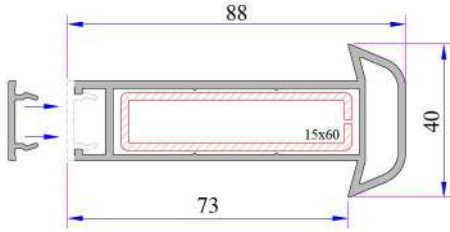
Narrow Coupling Profile
Code: P.A.060.5001.600



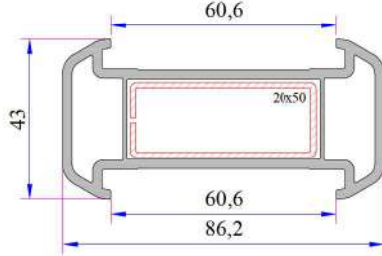
Frame Montage Profile
Code: P.A.060.5301.600.0.00.19



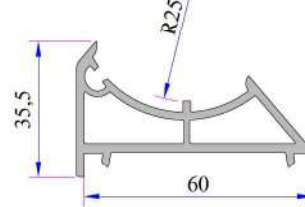
Sill Profile
Code: P.A.058.5504.600.0.00.19



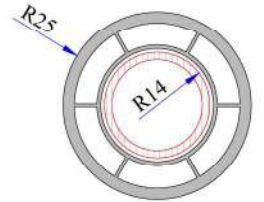
Universal Large Coupling Profile
Code: P.A.058.5000.600.0.00.19



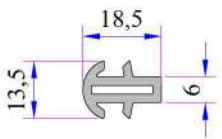
Large Coupling Profile
Code: P.A.060.5000.600.0.00.19



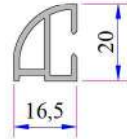
Corner Lag Profile
Code: P.A.060.5104.600.0.00.19



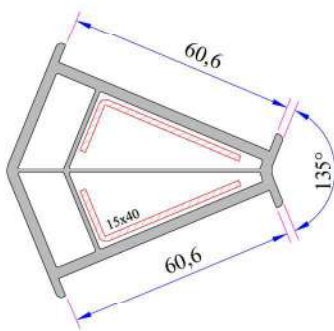
Pipe Profile
Code: P.A.050.5106.600



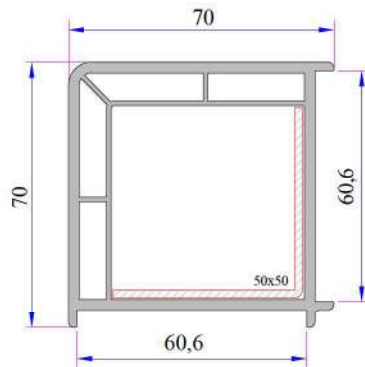
Short Coupling Profile
Code: P.A.099.5003.600



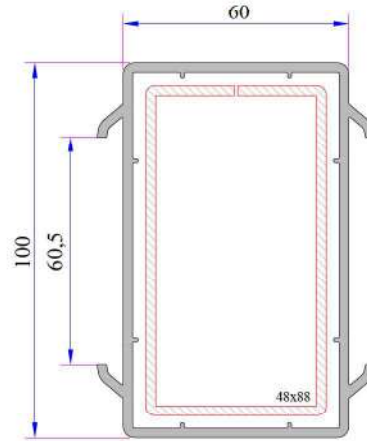
Offset Profile
Code: P.A.900.6307.600



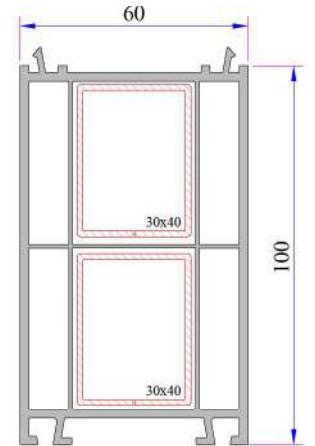
135° Corner Profile
Code: P.A.060.5102.600.0.00.19



90° Corner Profile
Code: P.A.060.5100.600.0.00.19

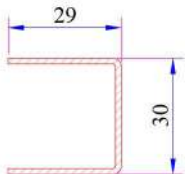


60x100 Box Profile
Code: P.A.060.5203.600.0.00.19

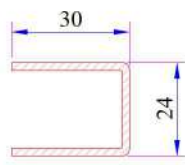


60x100 Frame Lifting Profile
Code: P.A.900.5303.600.0.00.19

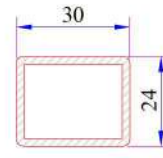
WO 60 Re-Inforcement Profiles



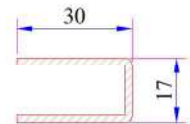
Super Frame - Offset Type Sash Profile Reinforcement
Code: 34022-12002



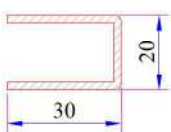
Frame - Mullion Profile Reinforcement
Code: 34022-12004



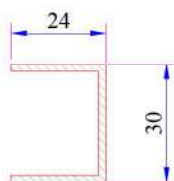
Mullion Profile Static Reinforcement
Code: 34022-12119



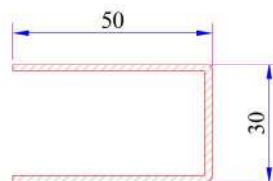
Frame Profile with Sill Reinforcement
Code: 34022-12032



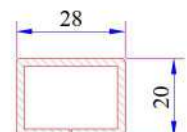
Frame Profile with Sill 60mm Reinforcement
Code: 34022-12006



Sash Profile Reinforcement
Code: 34022-12025

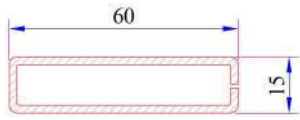


Door Sash- Outward Opening Door Sash Profile Reinforcement
Code: 34022-12013

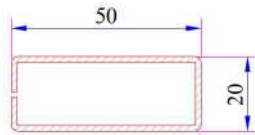


Lap Joint Profile Reinforcement
Code: 34022-12118

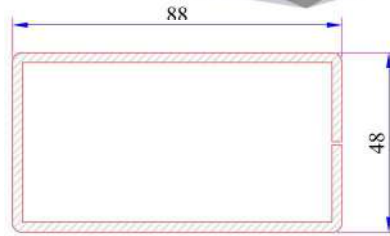
WO 60 SERIES PVC PROFILE SYSTEM



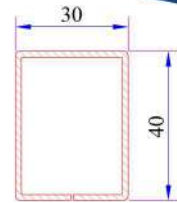
Universal Large Coupling
Profile Reinforcement
Code: 34022-12123



Large Couple Profile
Reinforcement
Code: 34022-12105

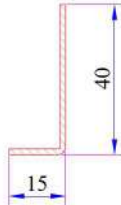


60x100 mm Box Profile
Reinforcement
Code: 34022-12102

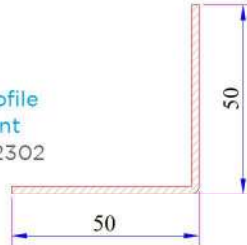


60x100 Frame Lifting Profile
Reinforcement
Code: 34022-12120

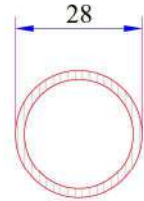
135° Corner Profile
Reinforcement
Code: 34022-12301



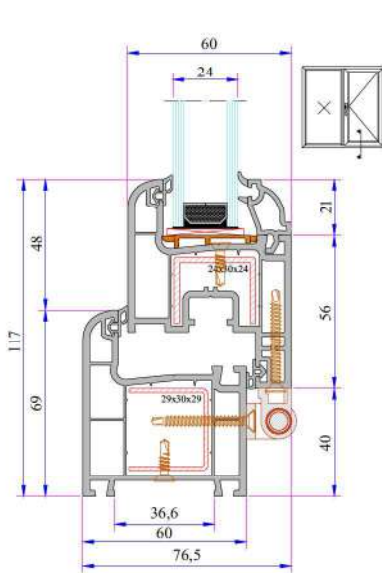
90° Corner Profile
Reinforcement
Code: 34022-12302



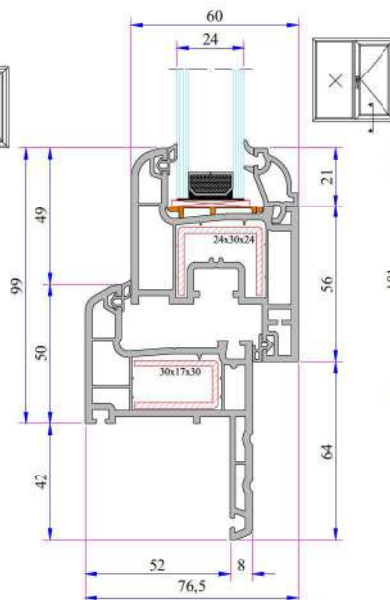
Pipe Profile
Reinforcement
Code: 34022-12503



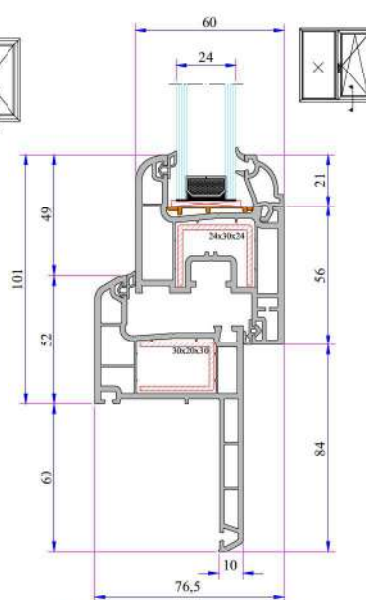
WO 60 Installation



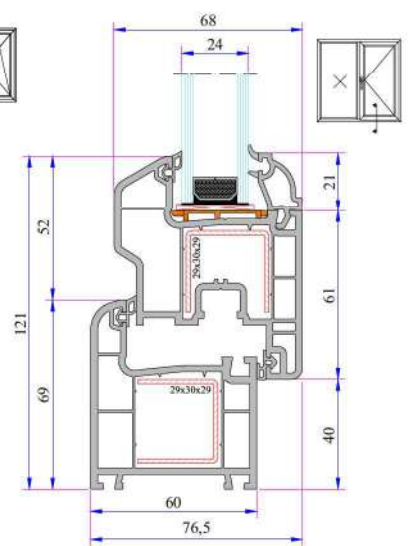
Frame - Sash Installation



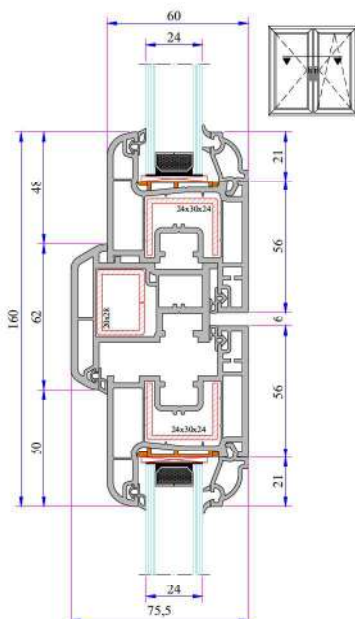
Frame Profile with Sill -
Sash Installation



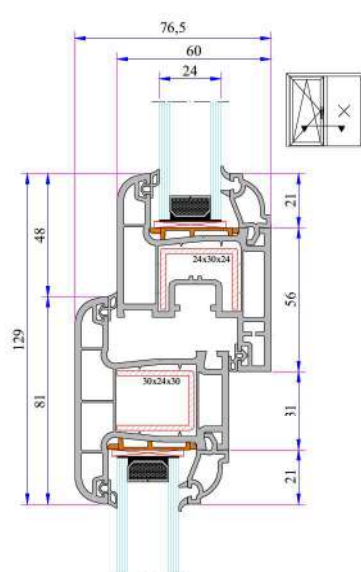
Frame with Sill (60mm) -
Sash Installation



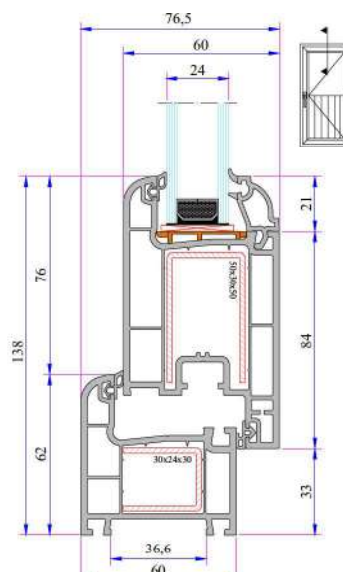
Frame - Offset Type Sash Profile



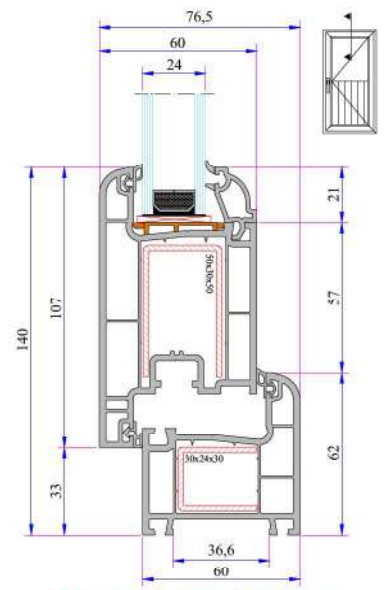
Sash - Lap Joint -
Sash Installation



Mullion - Sash Profile
Installation

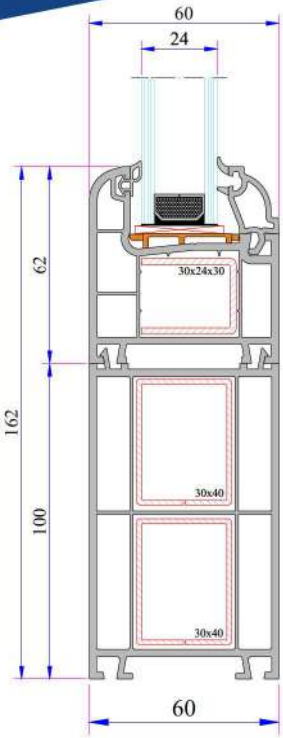


Frame - Door Sash
Installation

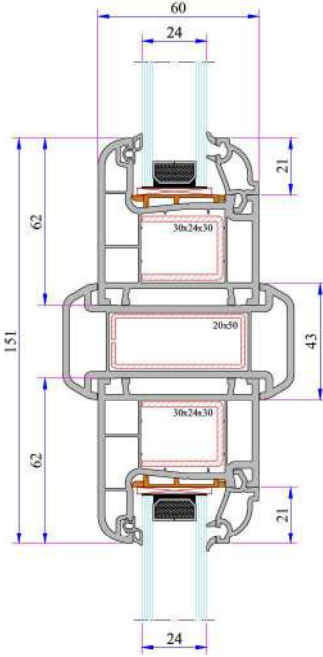


Frame - Outward Opening
Door Sash Installation

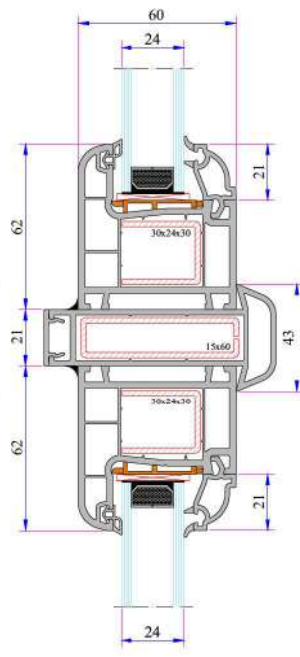
WO 60 SERIES PVC PROFILE SYSTEM



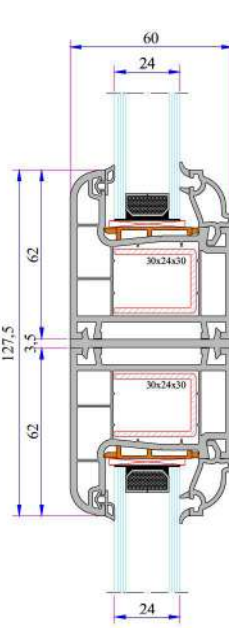
100mm Frame
Lifting Profile



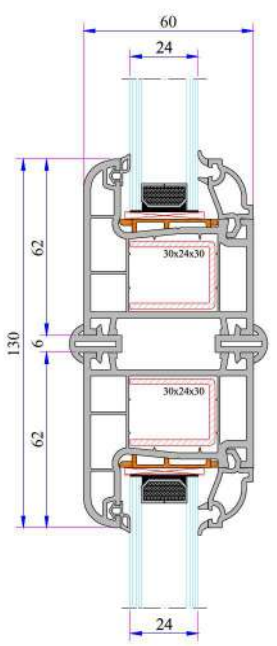
Large Coupling Profile
Installation



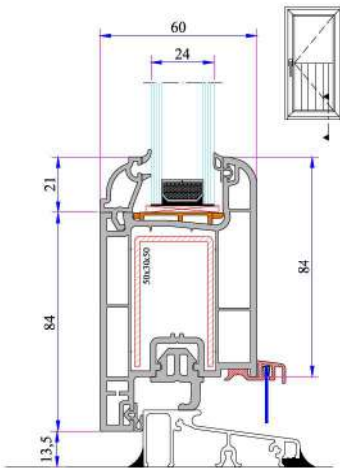
Universal Large Coupling
Profile Installation



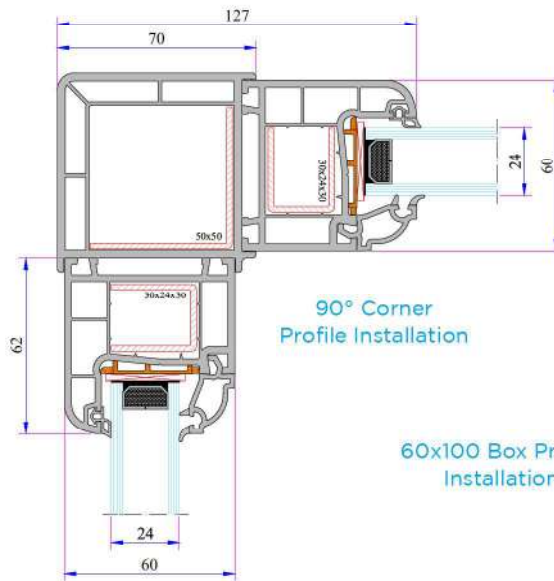
Narrow Coupling
Profile Installation



Short Coupling Profile
Installation

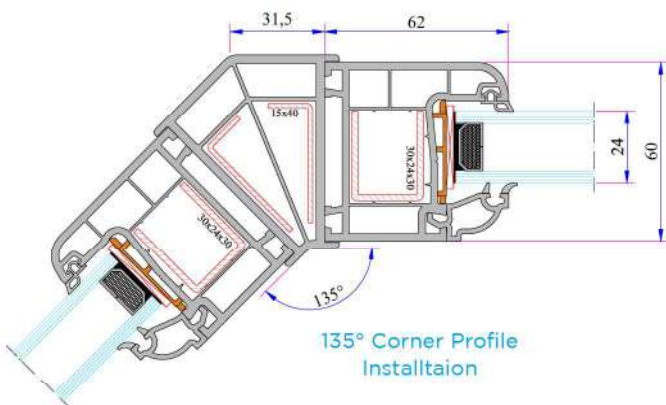
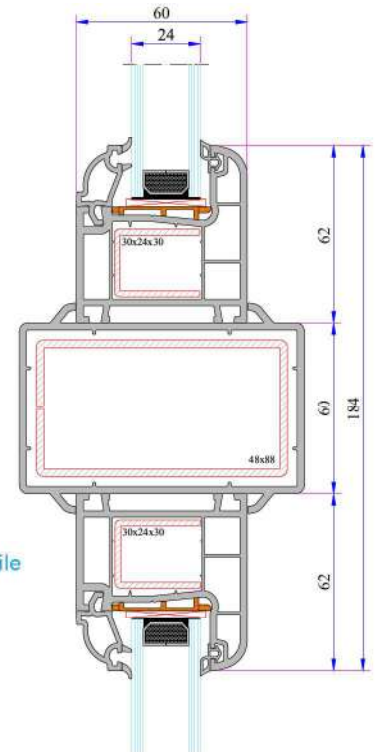


With Aluminium Threshold
Frame Door Sash
Installation

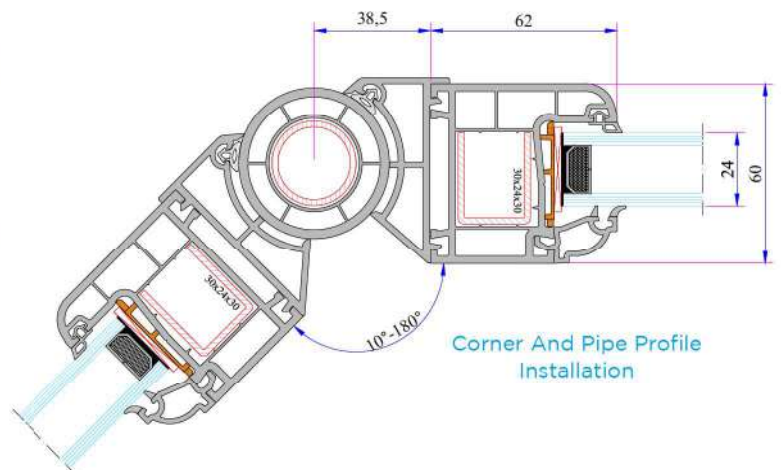


90° Corner
Profile Installation

60x100 Box Profile
Installation

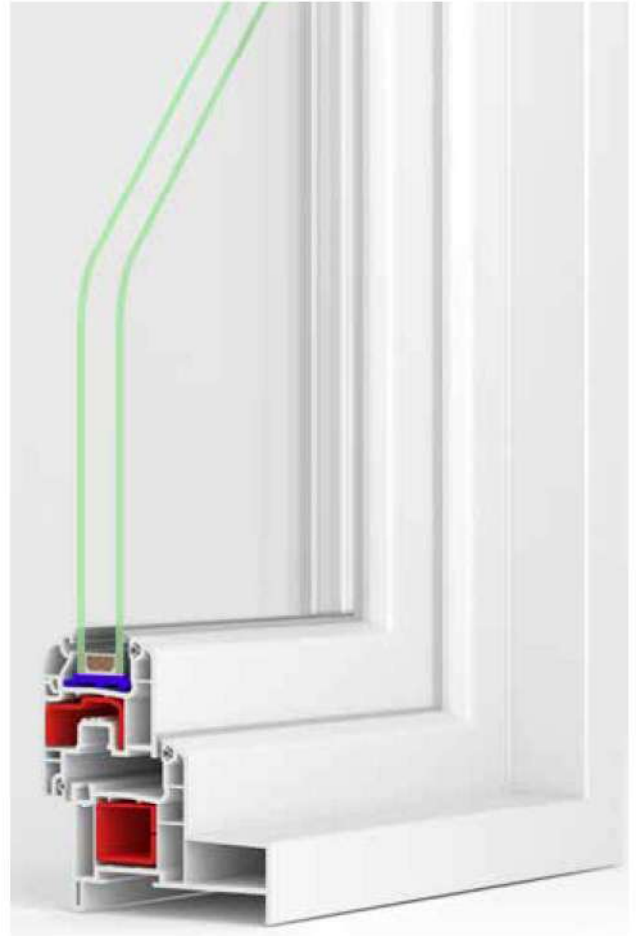
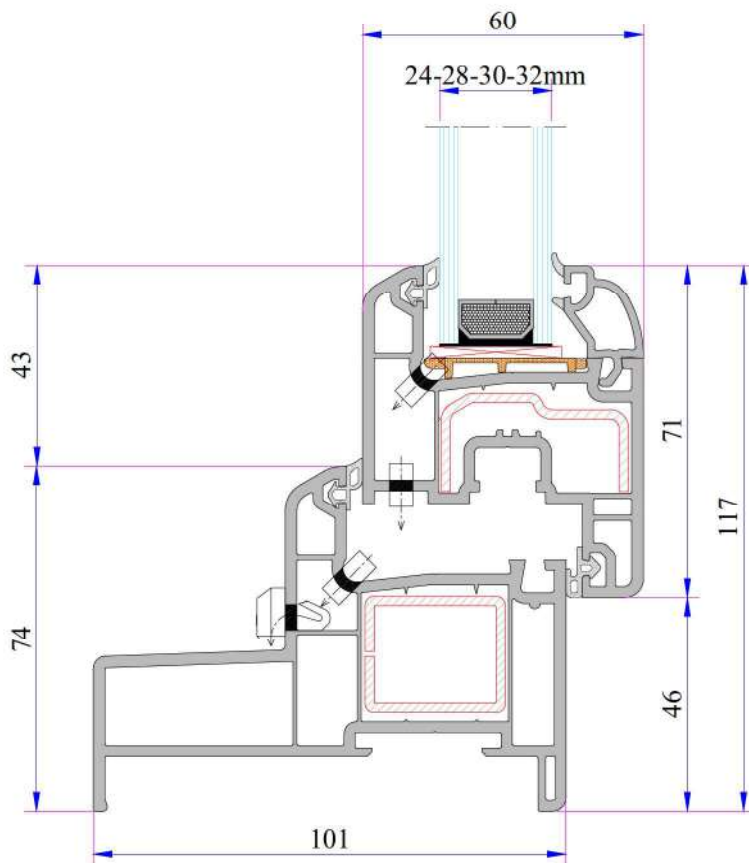


135° Corner Profile
Installation



Corner And Pipe Profile
Installation





TECHNICAL

W FR 60 SERIES

Profile Width: 60 mm

Number of chambers: 3

Profile Class: B Class (TS EN 12608-1)

Seal Type: External / Internal double seal system

Seal Type and Color: TPE - Grey /Black

Glass Thickness (mm): 24, 28, 30, 32 mm

W FR 70 SERIES

Profile Width: 70 mm

Number of chambers: 5

Profile Class: B Class (TS EN 12608-1)

Seal Type: External / Internal double seal system

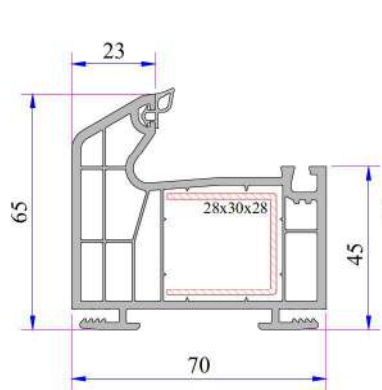
Seal Type and Color: TPE - Grey /Black

Glass Thickness (mm): 24, 28, 30, 32 mm

INSTRUCTION

- The profiles have 60 mm width.
- Because of the elastic grey and black seal which does not leave any stain on profiles will be provided maximum air, water, dust and sound isolation.
- Due to the 3 chambers profiles, it has maximum performance for thermal, sound and water isolation.
- It is a series of profiles with very special design that provides maximum wind resistance on high rise buildings.
- Excluding normal sash profile there is also chance to have a choice for offset type sash profile.
- In addition to white profile a different laminated color range is available.
- Application of 24, 28, 30, 32 mm glazing beads give us alternatives of using double, triple glazing and panels.
- It provides the visual integrity in the inner surface and the frame-wall connections due to integrated frame with sill profile.

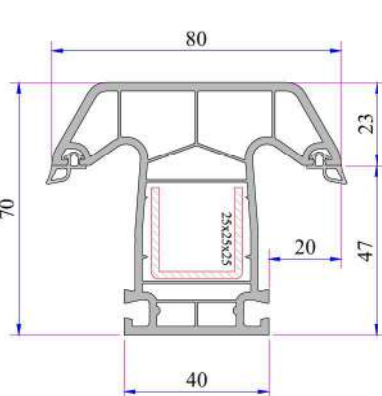
FR 70 Serie Profiles



Dormant de base de 70mm largeur

Code:

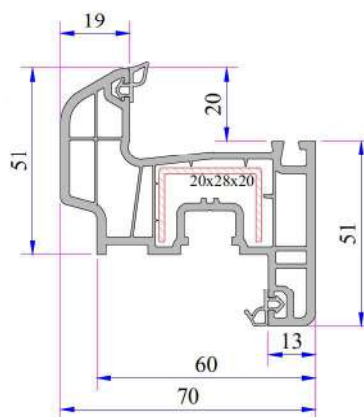
P.A.706.1008.600.0.BC.03



Traverse

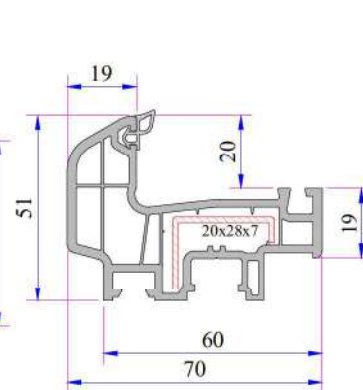
Code:

P.A.706.3000.600.0.BC.03



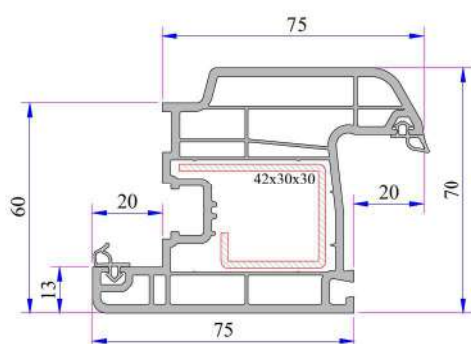
WF-OU-70L051 Ouvrant de 70 mm pour fenêtre

Code: P.A.900.2200.600.0.BC.03



WF-BA-70L051 Battement intégré de 70 pour ouvrant de fenêtre

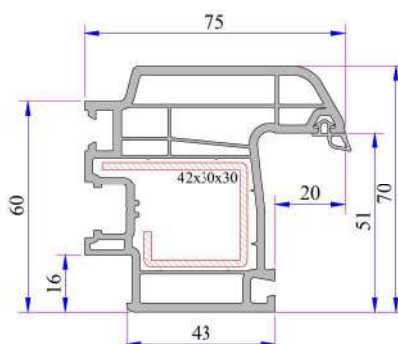
Code: P.A.900.2202.600.0.BC.03



WF-OU-70L075

Ouvrant de 70mm pour porte fenêtre

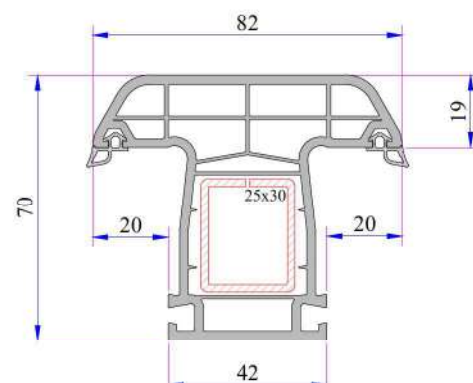
Code: P.A.900.2009.600.0.BC.03



WF-BA-70L075

Battement intégré de 70 pour ouvrant de porte fenêtre

Code: P.A.900.2010.600.0.BC.03

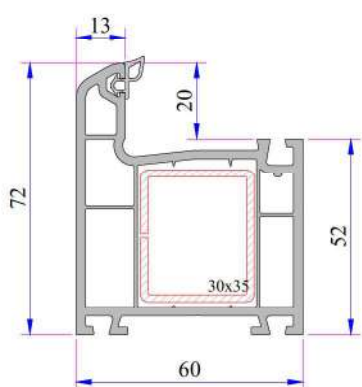


WF-TR-70L082

Traverse de 70 largeur 82 mm

Code: P.A.900.3004.600.0.BC.03

FR 60 Serie Profiles

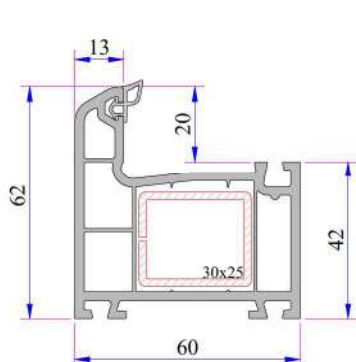


WF-DB-LAR072

Dormant de base de 60mm largeur

Code:

P.A.900.1001.600.0.BC.03

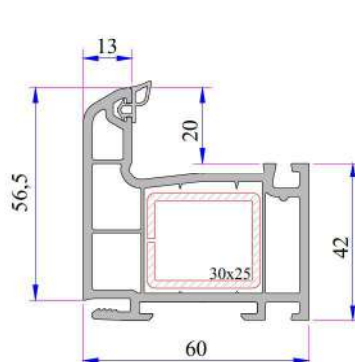


WF-DB-LAR062

Dormant de base de 60mm largeur 62mm

Code:

P.A.900.1000.600.0.BC.03

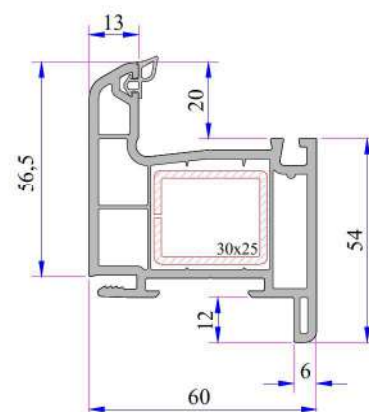


WF-DB-VRIDM

Dormant de base pour dormant monobloc avec volet roulant

Code:

P.A.900.1006.600.0.BC.03

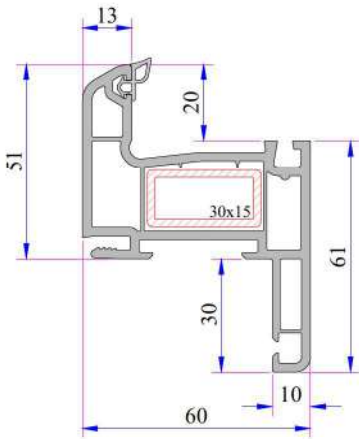


WF-DB-VRTDM

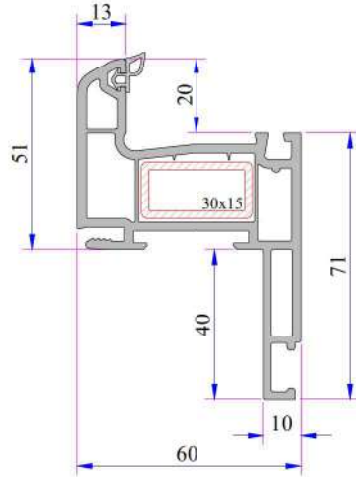
Dormant de base pour dormant monobloc sous coffre tunnel

Code:

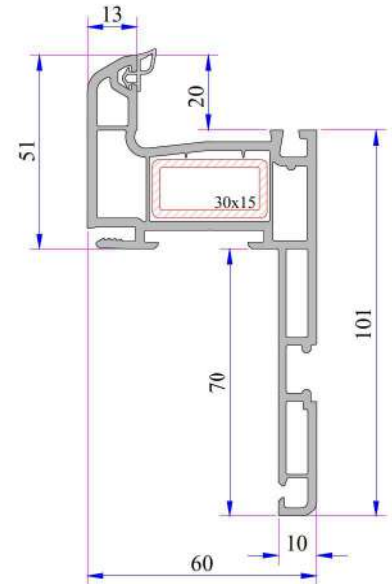
P.A.900.1005.600.0.BC.03



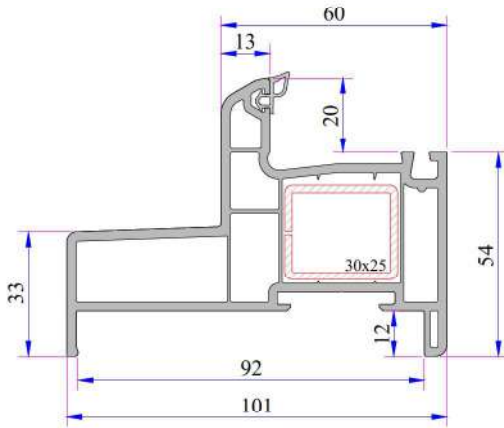
WF-DR-AILE30
Dormant rénovation aile de 30mm
Code: P.A.900.1203.600.0.BC.03



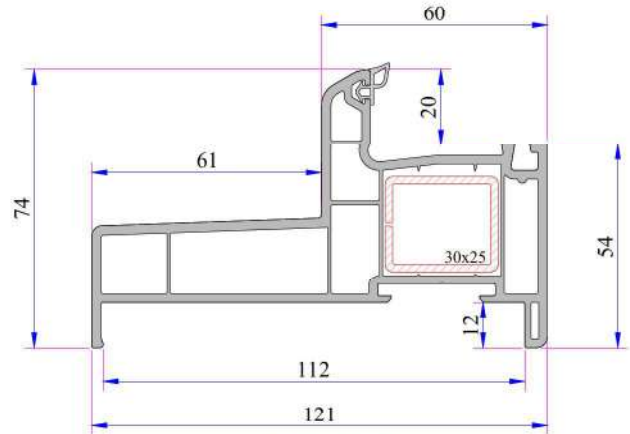
WF-DR-AILE40
Dormant rénovation aile de 40mm
Code: P.A.900.1204.600.0.BC.03



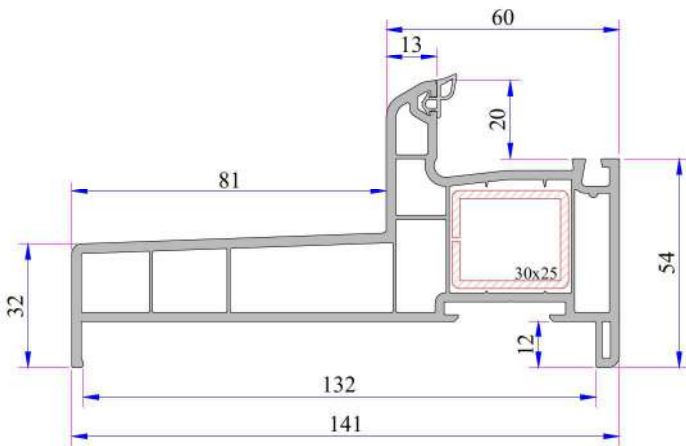
WF-DR-AILE70
Dormant rénovation aile de 70mm
Code: P.A.900.1205.600.0.BC.03



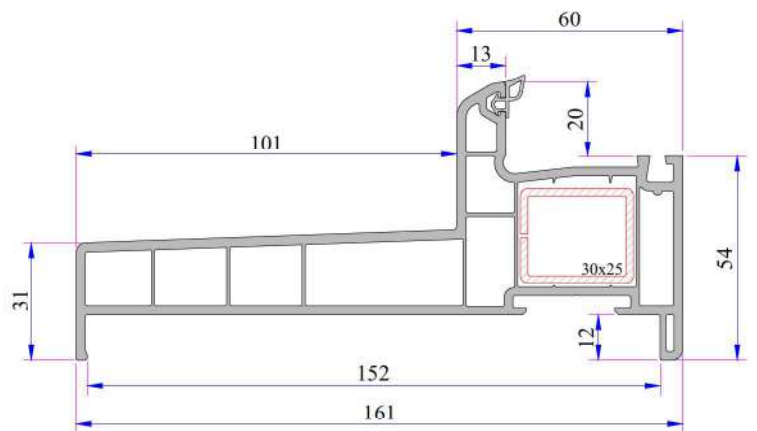
WF-DM-IsO100
Dormant Monobloc pour isolation de 100mm
Code: P.A.900.1300.600.0.BC.03



WF-DM-IsO120
Dormant Monobloc pour isolation de 120mm
Code: P.A.900.1301.600.0.BC.03

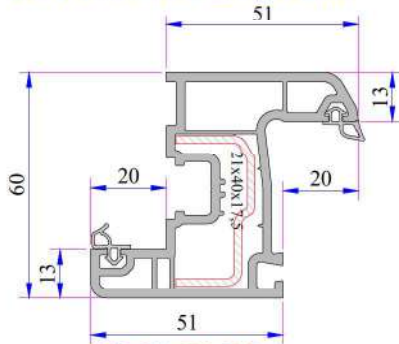


WF-DM-IsO140
Dormant Monobloc pour isolation de 140mm
Code: P.A.900.1302.600.0.BC.03

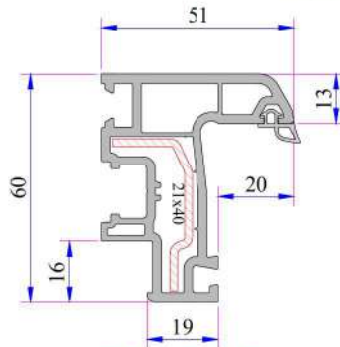


WF-DM-IsO160
Dormant Monobloc pour isolation de 160mm
Code: P.A.900.1303.600.0.BC.03

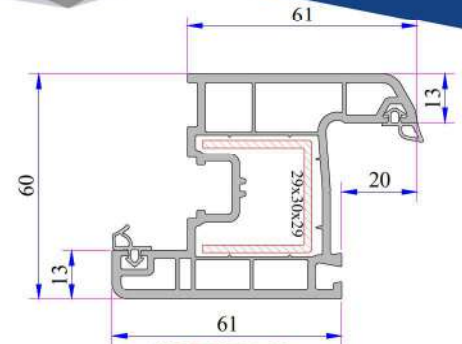
W FR 60 - 70 SERIES PVC PROFILE SYSTEM



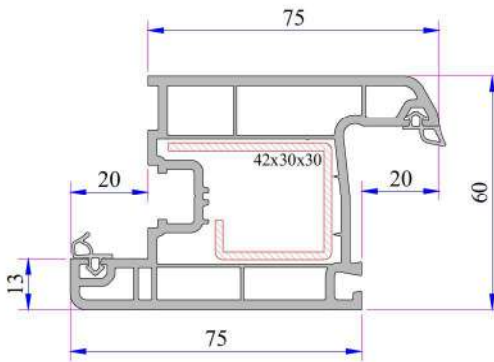
WF-OU-60L051
Ouvrant de 60 mm pour fenêtre
Code: P.A.900.2005.600.0.BC.03



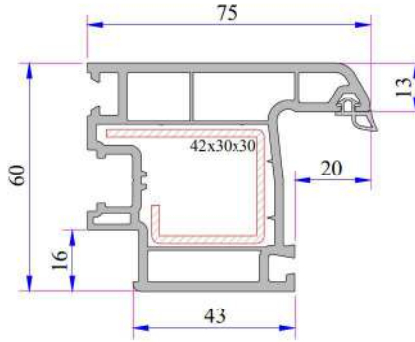
WF-BA-60L051
Battement intégré de 60 pour ouvrant de fenêtre
Code: P.A.900.2006.600.0.BC.03



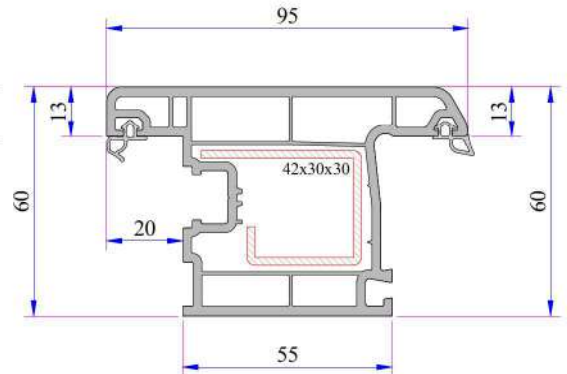
WF-SASH 61mm
Code: P.A.632.2000.600.0.BC.03



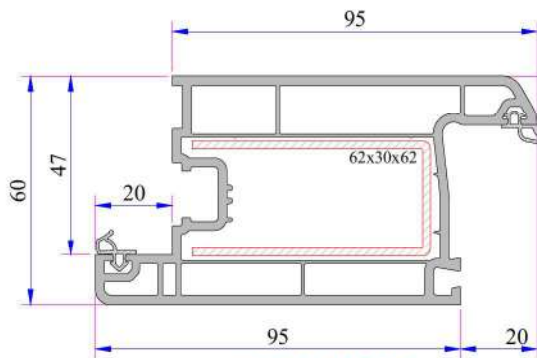
WF-OU-60L075
Code: P.A.900.2007.600.0.BC.03



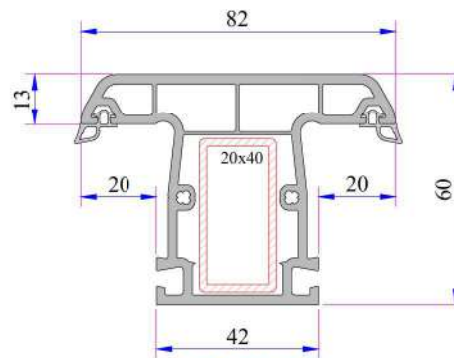
WF-BA-60L075
Battement intégré de 60 pour ouvrant de porte fenêtre
Code: P.A.900.2008.600.0.BC.03



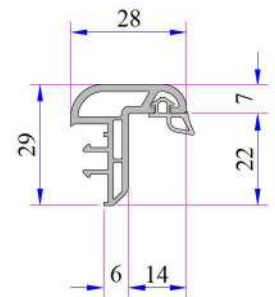
WF-OU-60EX95
Code: P.A.900.2101.600.0.BC.03



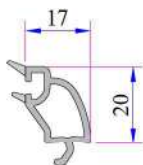
WF-OU-60L095
Ouvrant de 60mm pour porte d'entree
Code: P.A.900.2100.600.0.BC.03



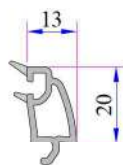
WF-TR-60L082
Traverse de 60 largeur 82 mm
Code: P.A.900.3003.600.0.BC.03



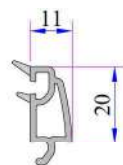
WF-BA-RAP028
Battement extérieur de 28 mm
Code: P.A.900.3100.600.0.00.19



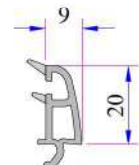
WF-PA-24ARC
Parclose arc pour vitrage de 24 mm
Code: P.A.900.4206.600.0.BC.03



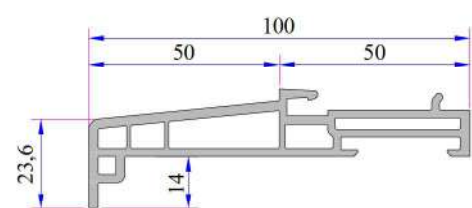
WF-PA-28ARC
Parclose arc pour vitrage de 28 mm
Code: P.A.900.4306.600.0.BC.03



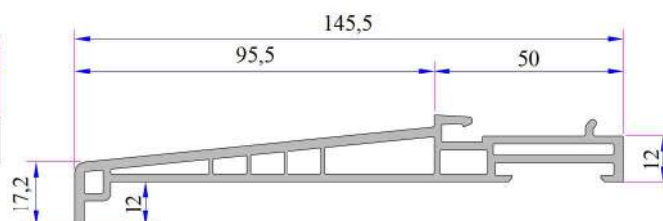
WF-PA-30ARC
Parclose arc pour vitrage de 30 mm
Code: P.A.900.6404.600.0.BC.03



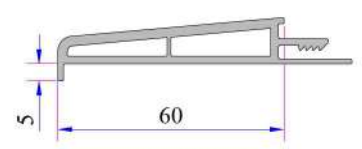
WF-PA-32ARC
Parclose arc pour vitrage de 32 mm
Code: P.A.900.4505.600.0.BC.03



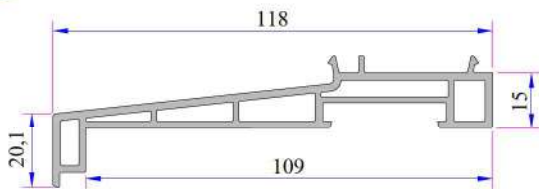
WF-AP-DEB050
Pièce d'appui avec débord de 50 mm
Code: P.A.900.6301.600.0.BC.03



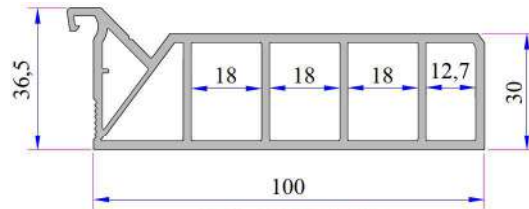
WF-AP-DEB095
Pièce d'appui avec débord de 95 mm
Code: P.A.900.6300.600.0.BC.03



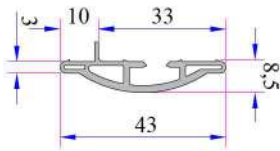
Sill Profile Under Frame (60mm)
Code: P.A.706.5528.600.0.BC.03



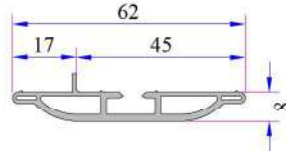
Pièce d'appui avec débord
Code: P.A.058.5504.600.0.00.19



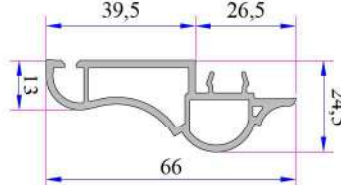
WF - FOUR \ 100
Code: P.A.900.6308.600.0.00.19



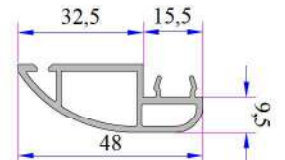
WF-BA-INTO43
Battue intérieure de 43 mm
Code: P.A.900.6303.600.0.BC.03



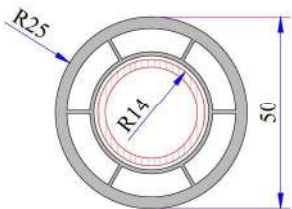
WF-BA-INTO62
Battue intérieure de 62 mm pour poignée centrée
Code: P.A.900.6302.600.0.BC.03



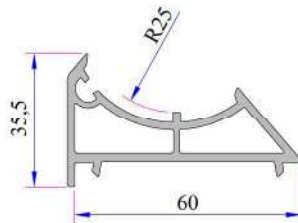
WF-HA-CLAP66
Habillage à clipper 66 mm sur l'aile de 40 mm du dormant
Code: P.A.900.6305.600.0.BC.03



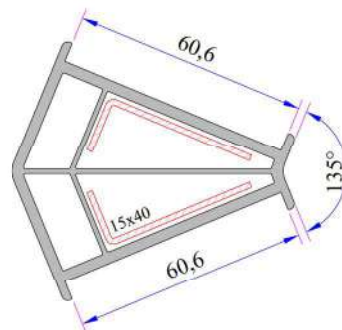
WF-HA-CLAP48
Habillage à clipper 48 mm sur l'aile de 40 mm du dormant
Code: P.A.900.6304.600.0.BC.03



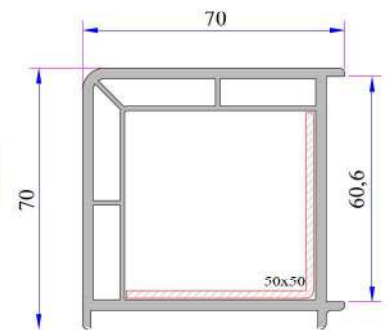
Tuyau Cintre
Code: P.A.050.5106.600



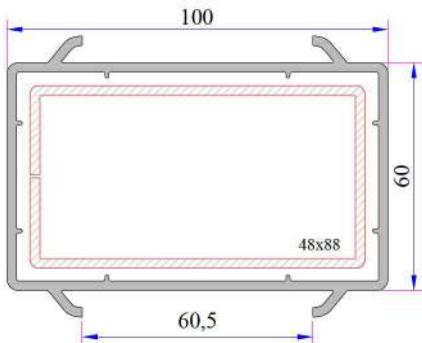
Adapteur Tuyau Cintre
Code: P.A.060.5104.600.0.00.19



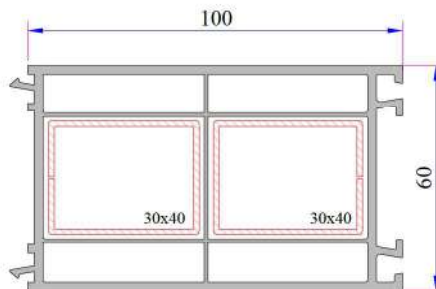
135° Corner Profile
Code: P.A.060.5102.600.0.00.19



90° Corner Profile
Code: P.A.060.5100.600.0.00.19



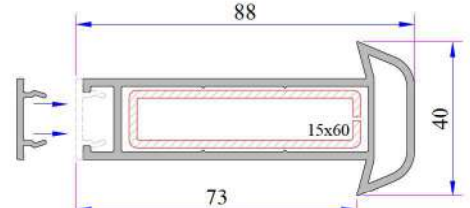
60x100 Profile Boite
Code: P.A.060.5203.600.0.00



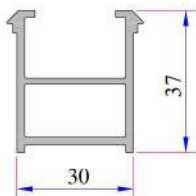
WF-RA-ELA100
Elargisseur de 100 mm
Code: P.A.900.5303.600.0.00.19



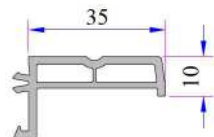
Uni. Large Coupling Cover Profile
Code: P.A.058.5707.600.0.00.19



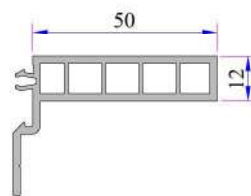
Universal Large Coupling Profile
Code: P.A.058.5000.600.0.00.19



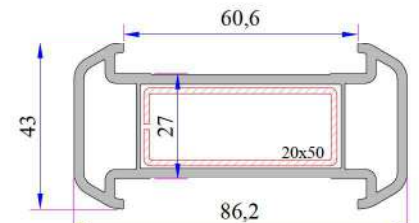
Frame Montage Profile
Code: P.A.060.5301.600.0.00.19



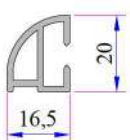
WF-HA-CLAP35
Habillage à clipper Sur dormant
Code: P.A.099.5523.600



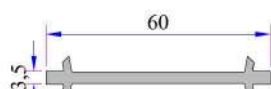
WF-HA-CLAP50
Habillage à clipper Sur dormant
Code: P.A.099.5524.600



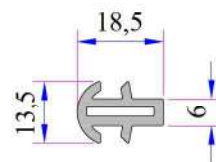
Gros Profile d'accouplement
Code: P.A.060.5000.600.0.00.19



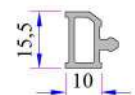
WF-HA-REJO20
Rejet d'eau quart de rond de 20 mm
Code: P.A.900.6307.600



Petit Profile d'accouplement
Code: P.A.060.5001.600

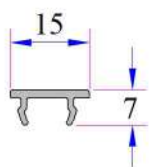


WF-RA-ACCOU6 Accouplement
Code: P.A.099.5003.600



WF-HA-EPA110
Habillage d'épaisseur 10 mm à clipper derrière l'aile rênô
Code: P.A.900.6306.600.0.00.19

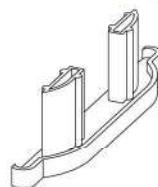
W FR 60 - 70 SERIES PVC PROFILE SYSTEM



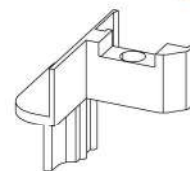
WF-HA-DR4070
Habillage pour aile de 40 ou 70 mm
Code: P.A.900.5705.600.0.00.19



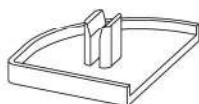
WF-BO-INT043
Bouchon pour battue intérieure de 43mm
Code: 34012-10170



WF-BO-INT043
Bouchon pour battue intérieure de 43mm
Code: 34012-10180



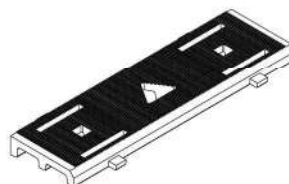
WF-BO-INT043
Bouchon pour battue intérieure de 43mm
Code: 34012-10160



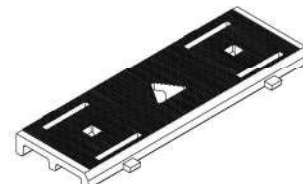
WF-BO-REJ020
Bouchon pour rejet d'eau de 20mm
Code: 34026-14090



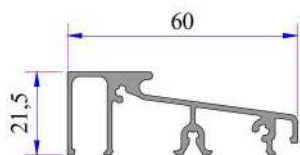
WF-BO-BATINT
Bouchon pour battement intégré d'ouvrant
Code: 34012-10190



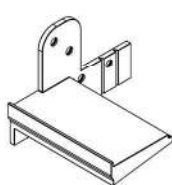
WF-CA-VITR60
Cale de vitrage de 60
Code: 34014-13070



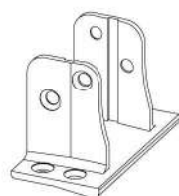
WF-CA-VITR70
Cale de vitrage de 70
Code: 34014-13080



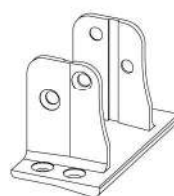
Seuiller Aluminium
Code: AD16-001



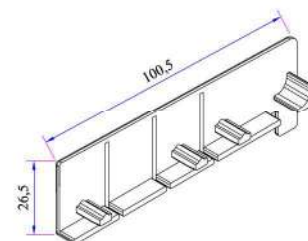
Connecteur Seuiller Aluminium
Code: 34007-15010



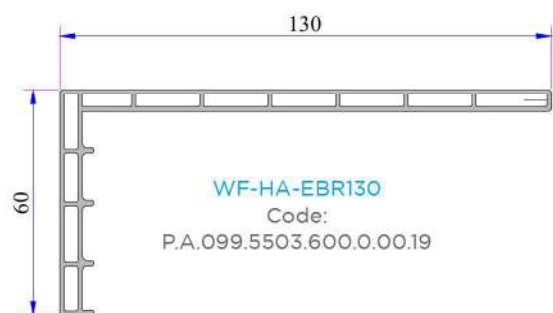
WF-AC-70L082
Etrier métallique de 70
Code: 34007-11150



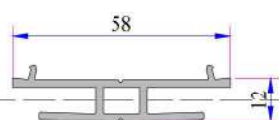
WF-AC-60L082
Etrier métallique de 60
Code: 34007-11140



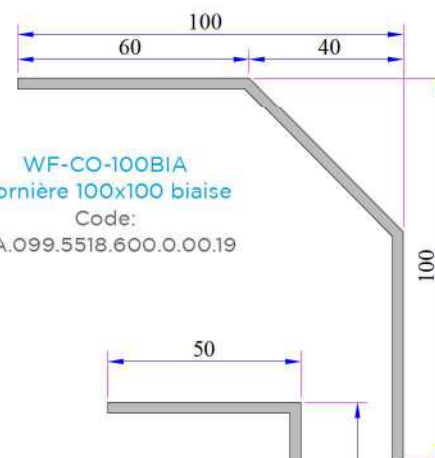
WF-BO-DMIs0160
Bouchon pour dormant monobloc



WF-HA-EBR130
Code: P.A.099.5503.600.0.00.19



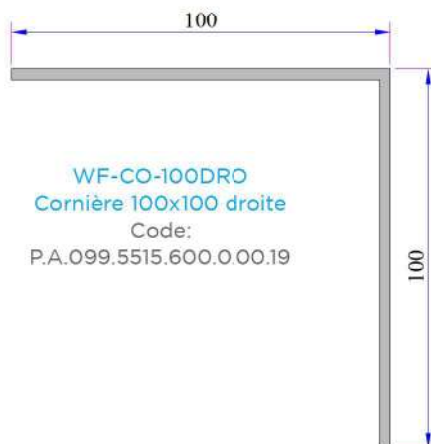
WF-RA-EBRAS1
Code: P.A.099.5520.600.0



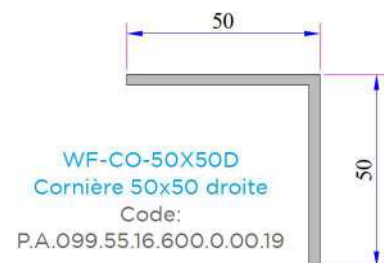
WF-CO-100BIA
Cornière 100x100 biaisée
Code: P.A.099.5518.600.0.00.19



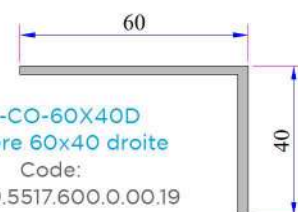
WF-CO-100X60
Cornière 100x60 droite
Code: P.A.5514.600.0.00.19



WF-CO-100DRO
Cornière 100x100 droite
Code: P.A.099.5515.600.0.00.19



WF-CO-50X50D
Cornière 50x50 droite
Code: P.A.099.5516.600.0.00.19



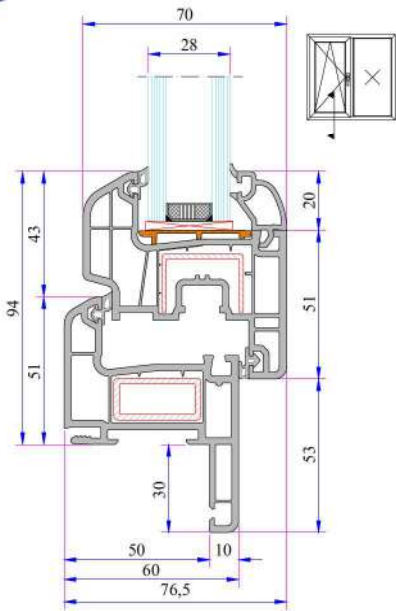
WF-CO-60X40D
Cornière 60x40 droite
Code: P.A.099.5517.600.0.00.19

FR 60 Re-Inforcement Profiles

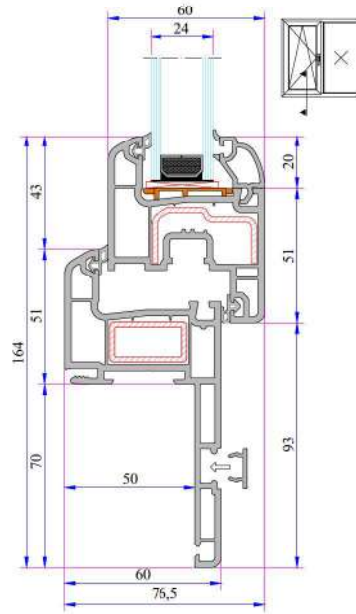
Profile	Reinforcement	Alternative Reinforcement
WF-DB-LAR072	 Code: 34022-12128	 Code: 34022-12037
WF-DB-LAR062 WF-DB-VRIDM WF-DB-VRTDM WF-DM-IsO100 WF-DM-IsO120 WF-DM-IsO140 WF-DM-IsO160	 Code: 34022-12119	 Code: 34022-12004
WF-DR-AILE30 WF-DR-AILE40 WF-DR-AILE70	 Code: 34022-12125	 Code: 34022-12034
WF-OU-60L051 WF-OU-70L051	Code: 34022-12038	 Code: 34022-12038
WF-BA-60L051 WF-BA-70L051	Code: 34022-12307	 Code: 34022-12307
WF-OU-60L075 WF-OU-60EX95 WF-BA-60L075 WF-OU-70L075 WF-BA-70L075	Code: 34022-12039	 Code: 34022-12039
WF-OU-60L095	Code: 34022-12029	 Code: 34022-12029
WF-TR-60L082	Code: 34022-12114	 Code: 34022-12114
WF-TR-70L082	Code: 34022-12119	 Code: 34022-12119
WF-BA-70L051	Code: 34022-12040	 Code: 34022-12040
135° Corner Profile Reinforcement	Code: 34022-12302	 Code: 34022-12302

Profile	Reinforcement
FR70 Frame Profile Reinforcement	Code: 34022-12041 Code: 34022-12041
Mullion Profile Reinforcement	Code: 34022-12003 Code: 34022-12003
WF-OU-70L051	Code: 34022-12042 Code: 34022-12042
Lap Joint Profile Reinforcement	Code: 34022-12118 Code: 34022-12118
Large Couple Profile Reinforcement	Code: 34022-12105 Code: 34022-12105
Universal Large Coupling Profile Reinforcement	Code: 34022-12123 Code: 34022-12123
60x100m Box Profile Reinforcement	Code: 34022-12102 Code: 34022-12102
WF-RA-ELA100 Reinforcement	Code: 34022-12105 Code: 34022-12105
Angle Pipe Profile Reinforcement	Code: 34022-12503 Code: 34022-12503
90° Corner Profile Reinforcement	Code: 34022-12302 Code: 34022-12302

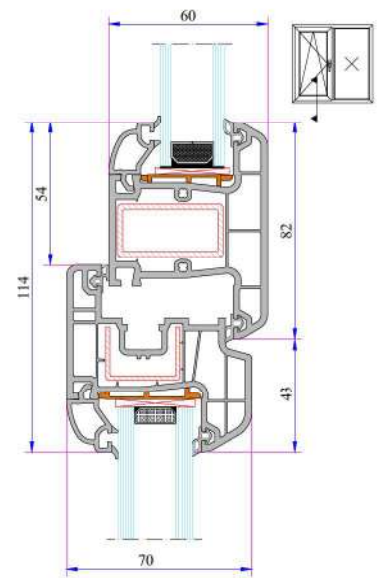
W FR 60 - 70 SERIES PVC PROFILE SYSTEM



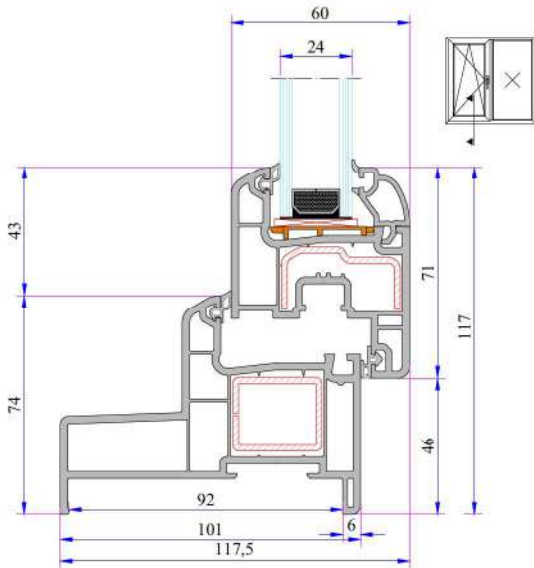
30mm Frame with Sill - Offset Type Sash Installation



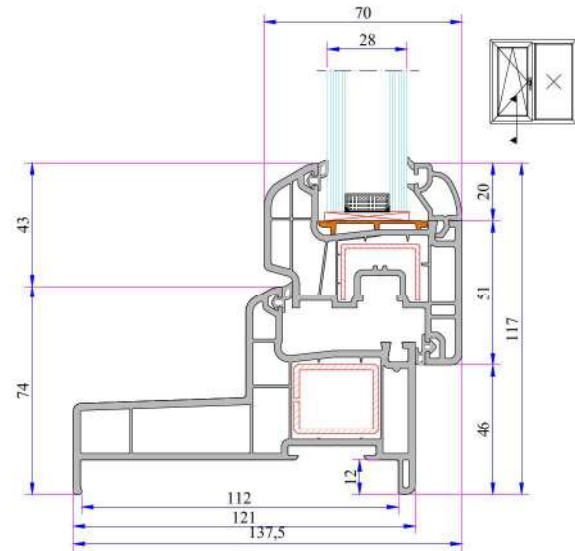
70mm Frame with Sill - Narrow Sash Installation



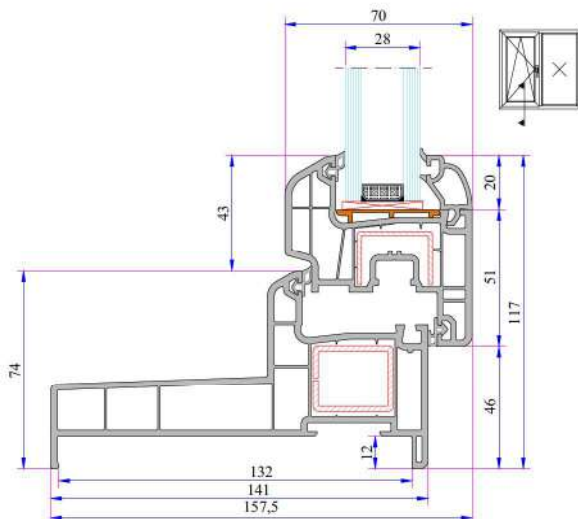
Offset Type Sash - Mullion Installation



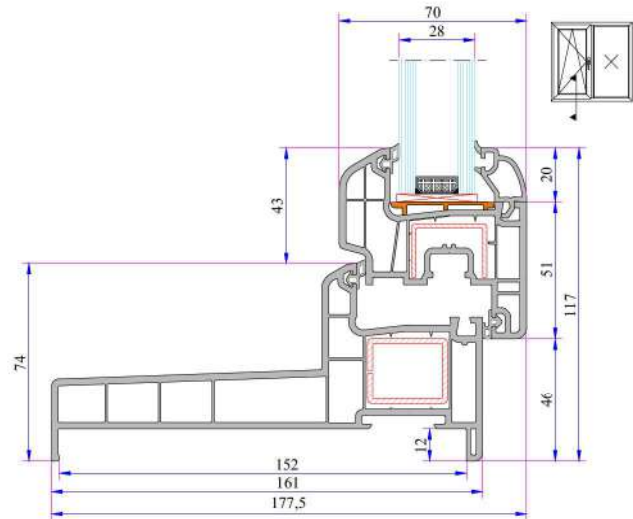
100mm Frame With Sill - Narrow Sash Installation



120mm Frame With Sill - Offset Type Sash Installation

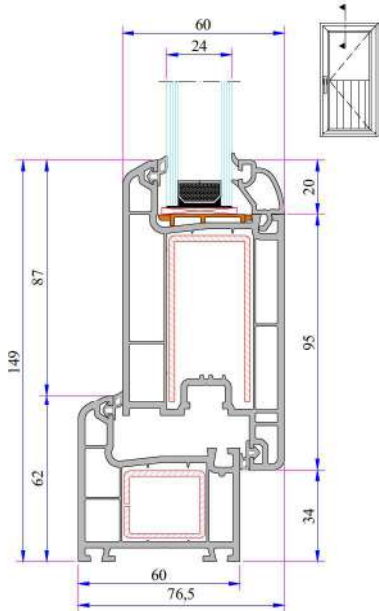


140mm Frame With Sill - Offset Type Sash Installation

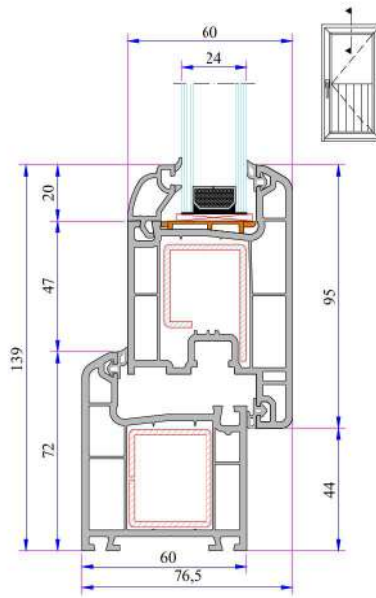


160mm Frame With Sill - Offset Type Sash Installation

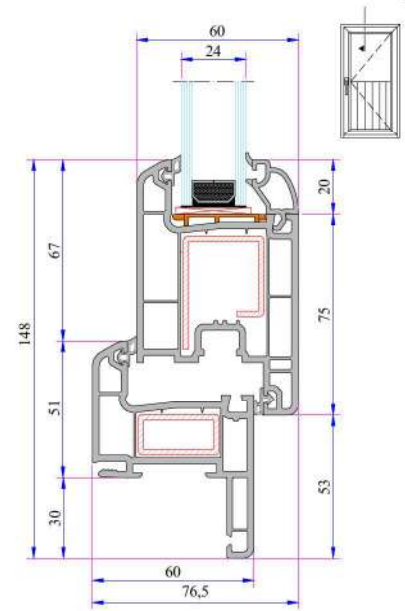
W FR 60 - 70 SERIES PVC PROFILE SYSTEM



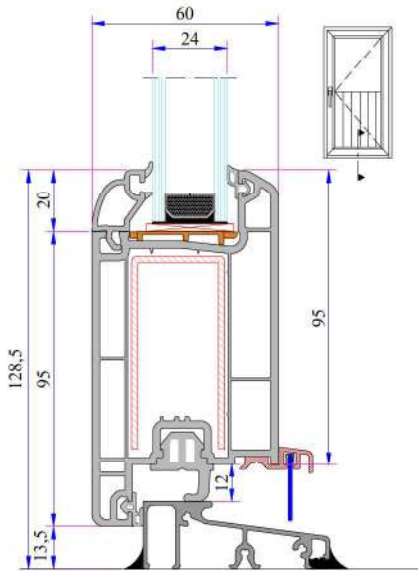
Frame - Door Sash Installation



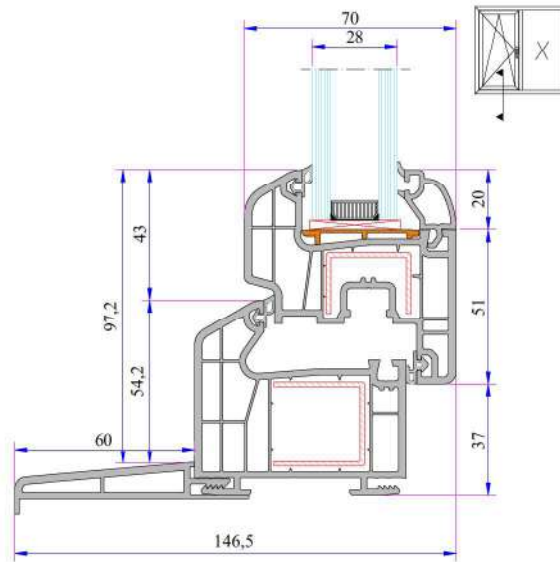
Super Frame - Outward Opening
Door Sash Installation



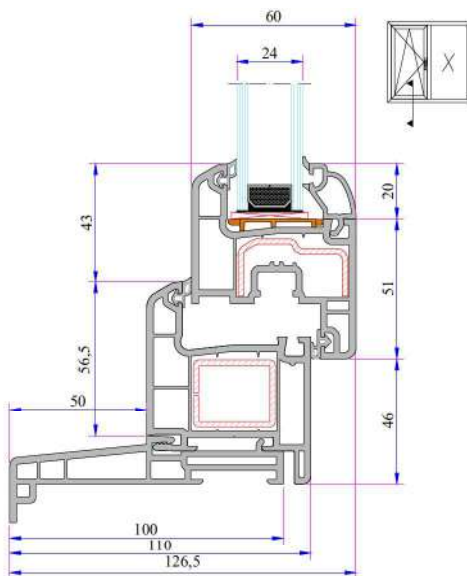
30mm Frame With Sill - Eco
Door Sash Installation



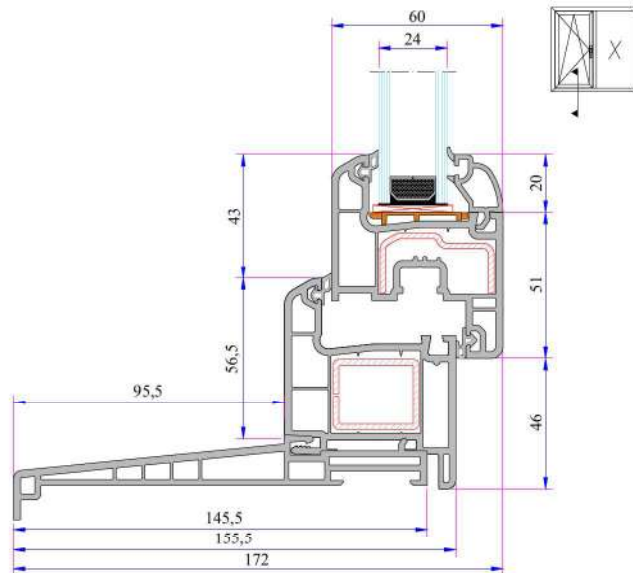
With Aluminium Threshold
Frame Door Sash Installation



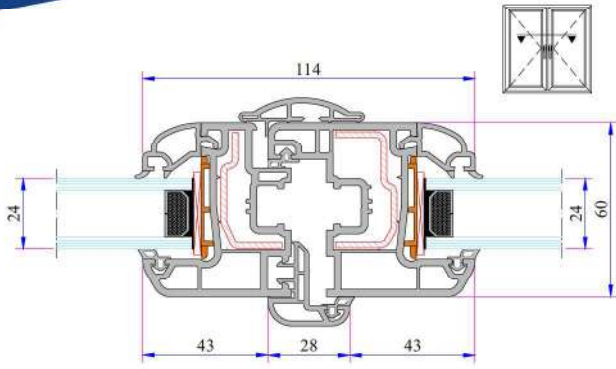
Sill Profile (60mm) Installation



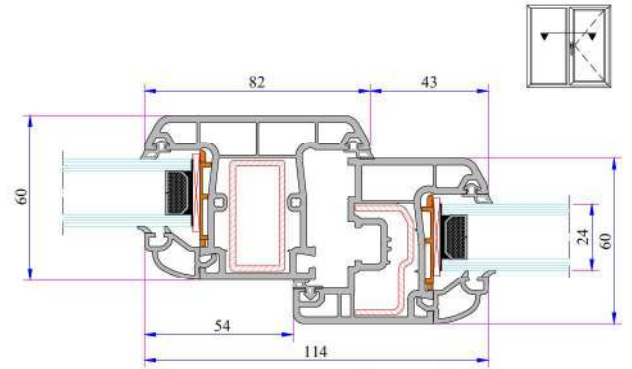
50mm Frame Sill Profile
Installation



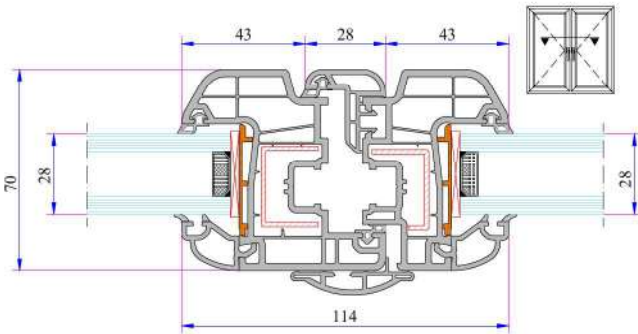
95mm Frame Sill Profile
Installation



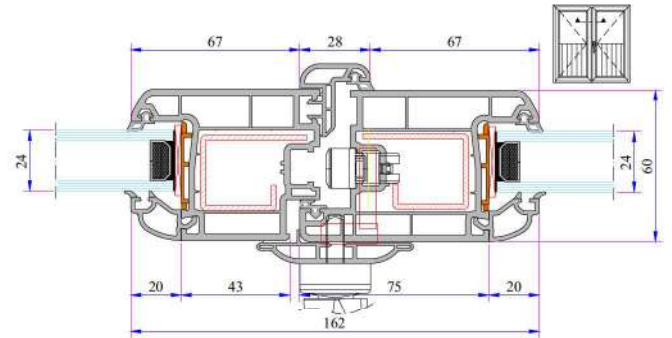
Narrow Sash - Lap Joint -
Narrow Sash Installation



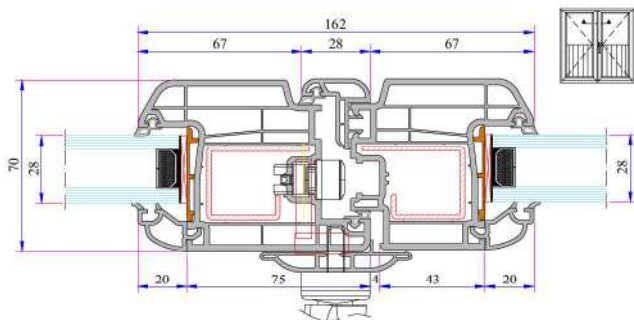
Narrow Sash - Mullion Profile
Installation



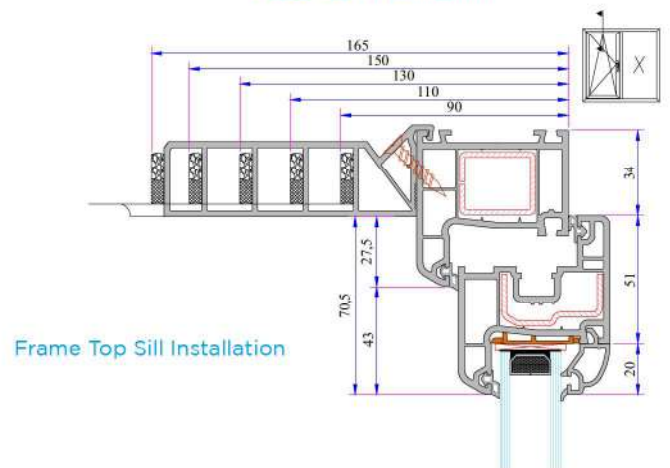
Offset Type Sash - Lap Joint -
Offset Type Sash Installation



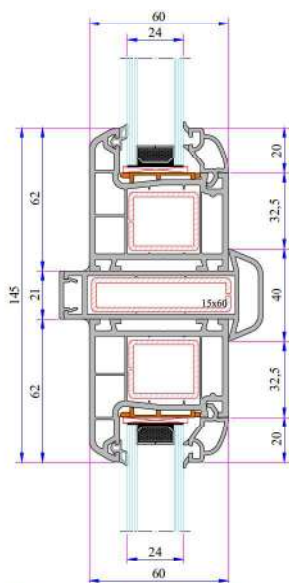
Door Sash - Lap Joint - Half
Door Sash Installation



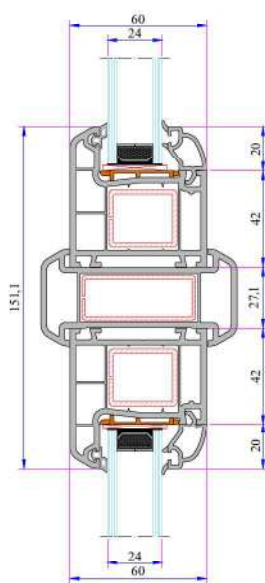
Offset Type Door Sash - Lap Joint -
Offset Type Half Door Sash Installation



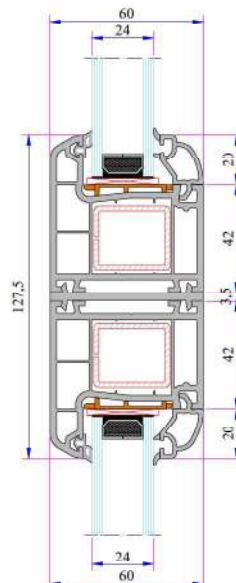
Frame Top Sill Installation



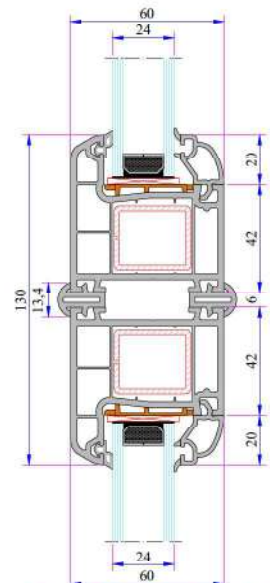
Universal Large Coupling
Profile Installation



Large Coupling Profile
Installation

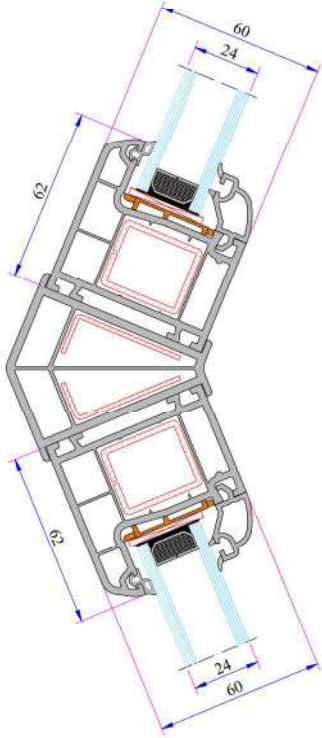


Narrow Coupling Profile
Installation

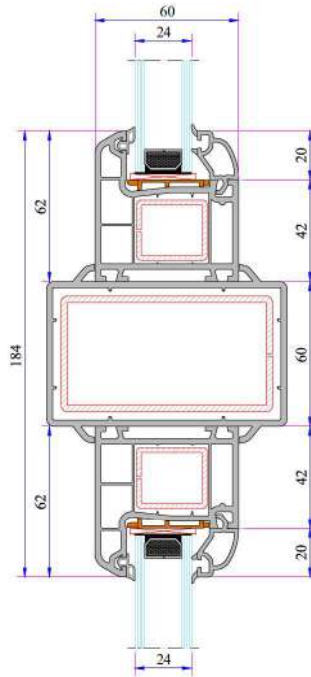


Short Coupling Profile
Installation

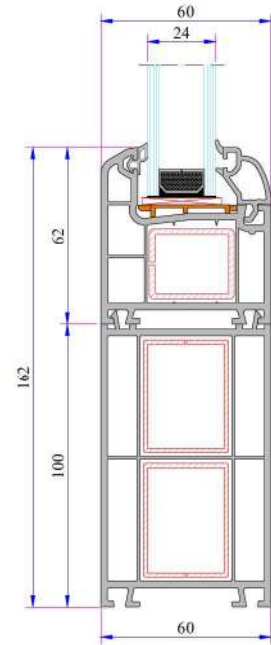
W FR 60 - 70 SERIES PVC PROFILE SYSTEM



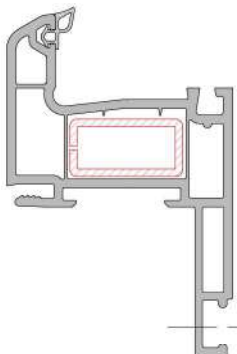
135° Corner Profile Installation



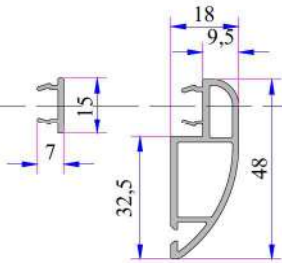
Box Profile Installation



100mm Frame Lifting Profile Installation

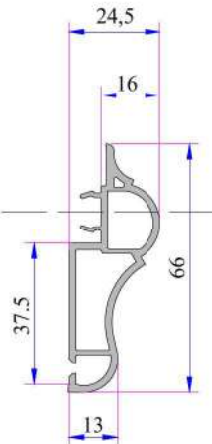


WF - HA - DR 4070

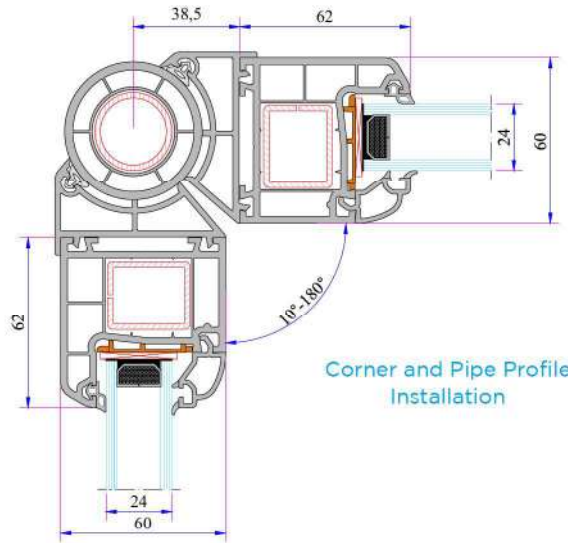


WF-HA-CACHE7

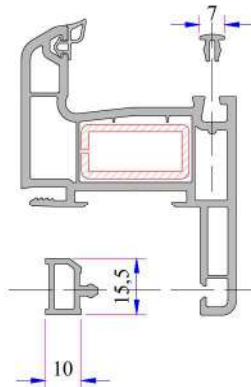
WF - HA - CLAP \ 48



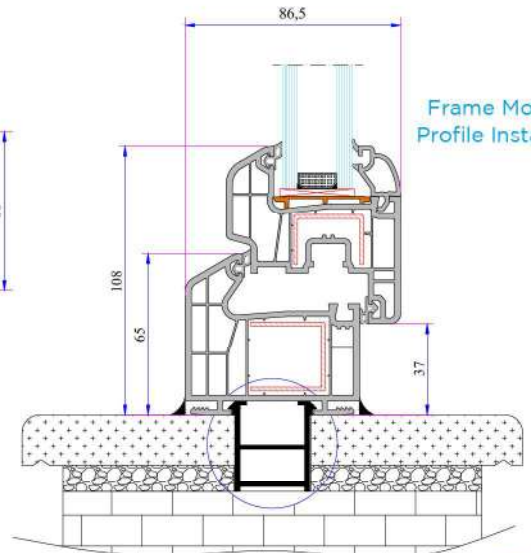
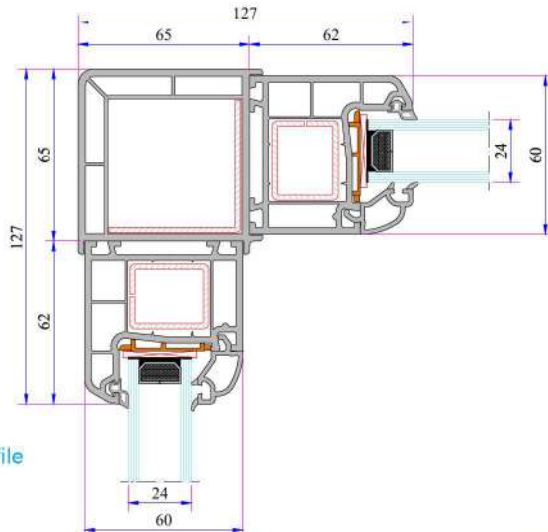
WF - HA - CLAP \ 66



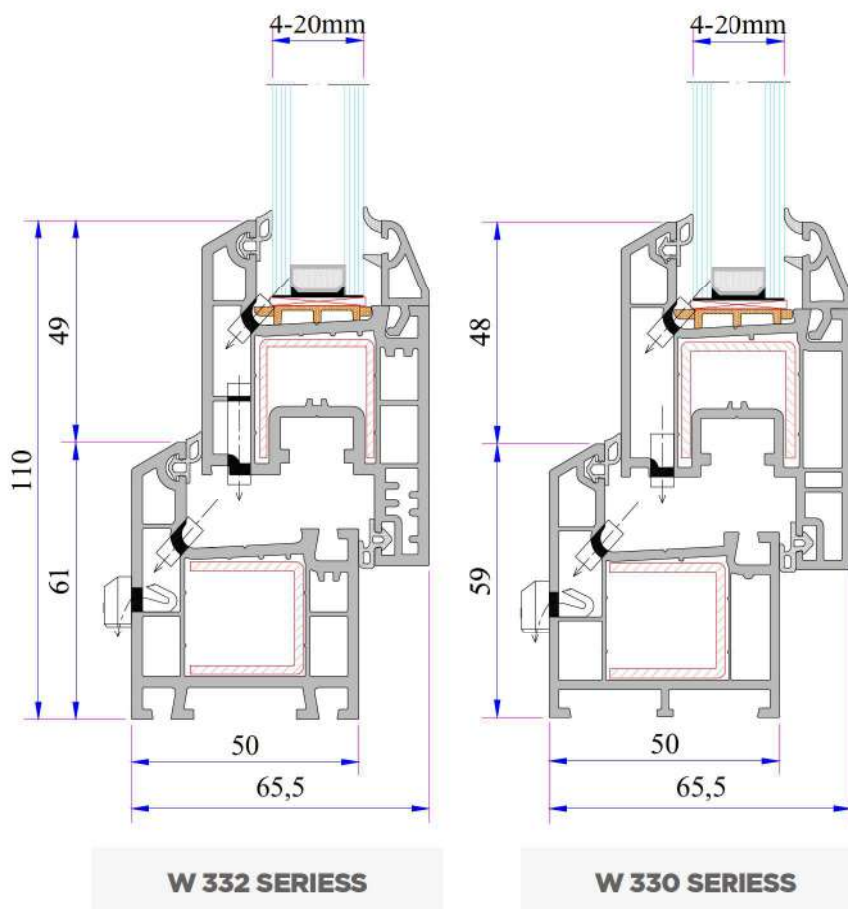
Corner and Pipe Profile Installation



90° Corner Profile Installation



Frame Montage Profile Installation



TECHNICAL

W 332 SERIES

Profile Width: 50 mm

Number of chambers: 3

Profile Class: B Class (TS EN 12608-1)

Seal Type: External / Internal double seal system

Seal Type and Color: TPE - Grey /Black

Glass Thickness (mm): 4, 20 mm

W 330 SERIES

Profile Width: 50 mm

Number of chambers: 3

Profile Class: C Class (TS EN 12608-1)

Seal Type: External / Internal double seal system

Seal Type and Color: TPE - Grey /Black

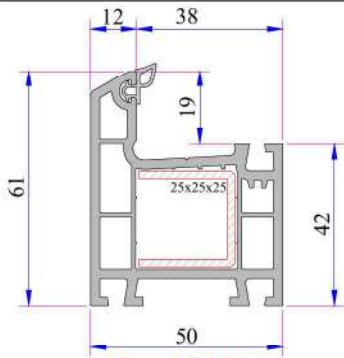
Glass Thickness (mm): 4, 20 mm

INSTRUCTION

- The main profile has 50 mm width.
- Because of the elastic grey and black seal which does not leave any stain on profiles will be provided maximum air, water, dust and sound isolation.
- Due to the 3 chambers profiles, it has maximum performance for thermal, sound and water isolation.
- In addition to white profile a different laminated color range is available.
- 4-5 mm single glazing application of 20 mm glazing bead give us alternatives of using double, triple glazing and panels.

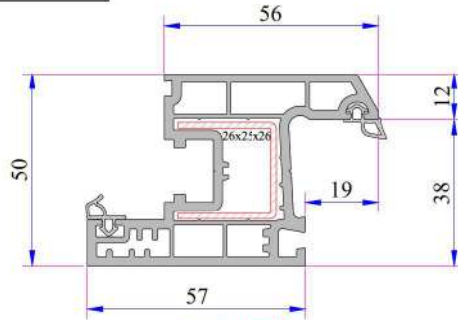
W 330 - 332 SERIES PVC PROFILE SYSTEM

W 332 Serie Profiles



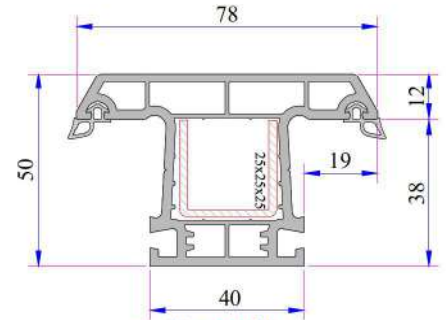
Frame Profile

Code: P.A.332.1000.600.0.BC.03



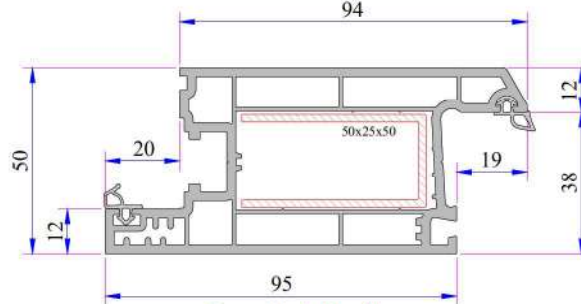
Sash Profile

Code: P.A.332.2000.600.0.BC.03



Mullion Profile

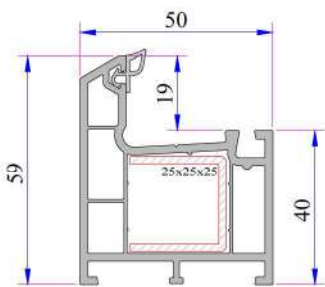
Code: P.A.332.3000.600.0.BC.03



Door Sash Profile

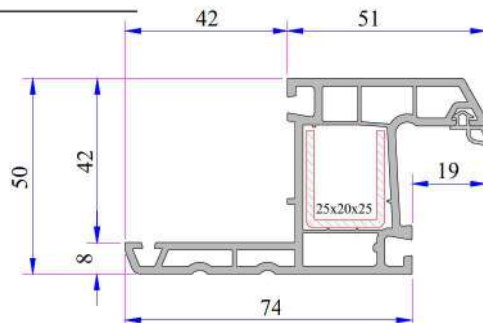
Code: P.A.332.2100.600.0.BC.03

W 330 Serie Profiles



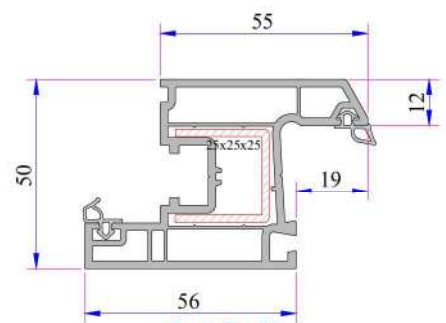
Frame Profile

Code: P.A.330.1000.600.0.BC.03



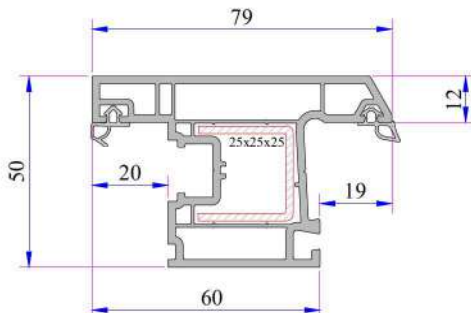
Frame Profile with Sill

Code: P.A.330.1200.600.0.BC.03



Sash Profile

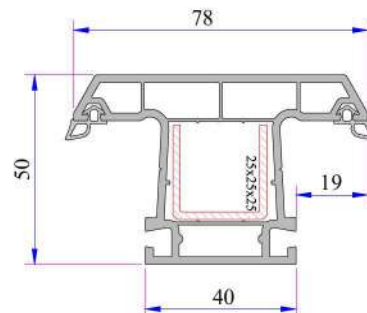
Code: P.A.330.2000.600.0.BC.03



Outward Opening Sash Profile

Code:

P.A.330.2001.600.0.BC.03

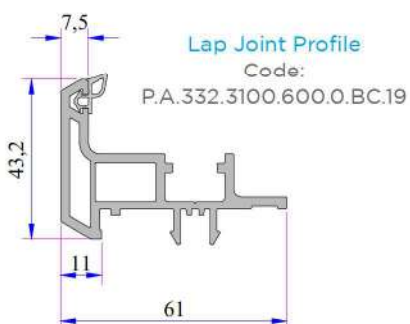


Mullion Profile

Code:

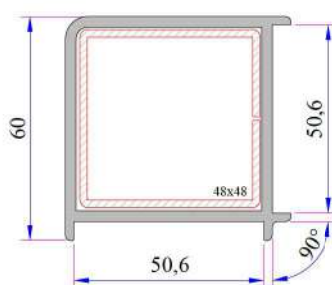
P.A.330.3000.600.0.BC.03

W 330 - W 332 Serie Profile



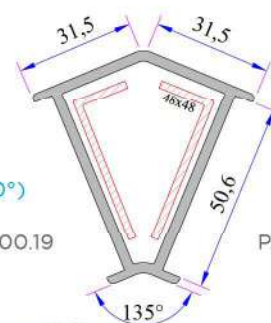
Lap Joint Profile

Code:
P.A.332.3100.600.0.BC.19



Corner Profile (90°)

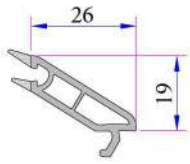
Code:
P.A.050.5100.600.0.00.19



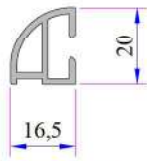
Corner Profile (135°)

Code:
P.A.050.5102.600.0.00.19

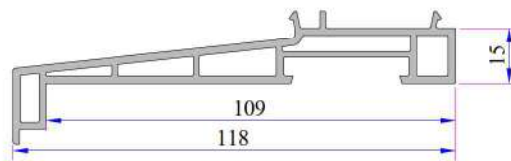
W 330 - W 332 Serie Profile



Single Glazing Bead 4mm
Code: P.A.332.4000.600.0.HC



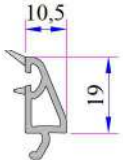
Offset Profile
Code: P.A.900.6307.600



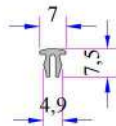
Sill Profile
Code: P.A.058.5504.600.0.00.19



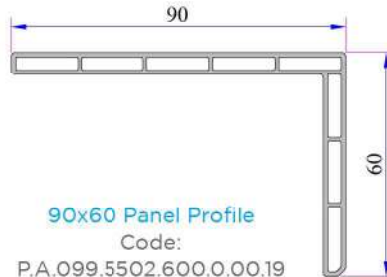
Universal Large Coupling Cover Profile
Code: P.A.058.5707.600.0.00.19



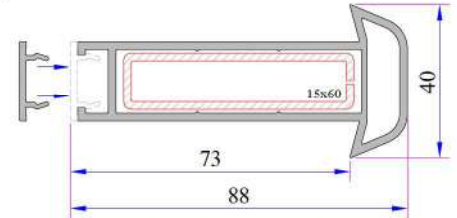
Double Glazing Bead 20mm
Code: P.A.332.4100.600.0.HC



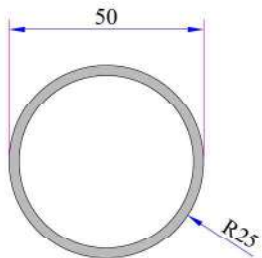
Frame Channel Cover Profile
Code: P.A.099.5703.600



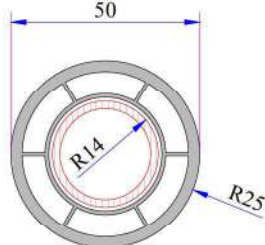
90x60 Panel Profile
Code: P.A.099.5502.600.0.00.19



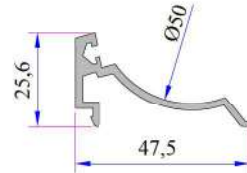
Universal Large Coupling Profile
Code: P.A.058.5000.600.0.00.19



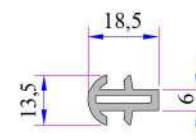
Angle Pipe Profile (Ø50)
Code: P.A.050.5105.600



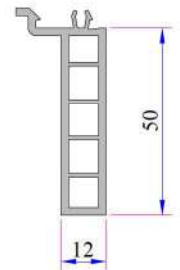
Angle Pipe Profile (Ø50)
Code: P.A.050.5106.600



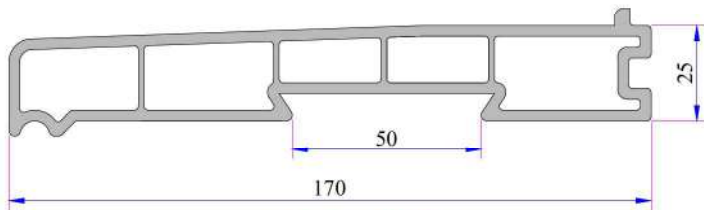
Alm. Angle Pipe Adaptor Profile (In Process)



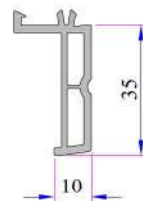
Short Coupling Profile
Code: P.A.099.5003.600



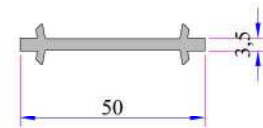
50mm Frame Sill Profile
Code: P.A.099.5524.600



Sill Profile 170mm
Code: P.A.099.5513.600.0.00.19

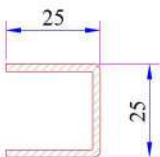


35mm Frame Sill Profile
Code: P.A.099.5523.600

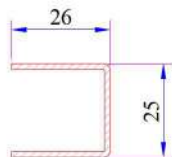


Narrow Coupling Profile 50mm
Code: P.A.050.5001.600

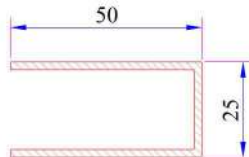
W 332 - W 330 Re-Inforcement Profiles



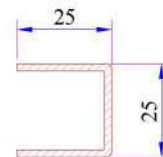
332 Frame - Mullion Profile Reinforcement
Code: 34022-12003



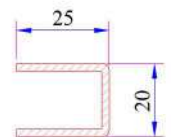
332 Sash Profile Reinforcement
Code: 34022-12003



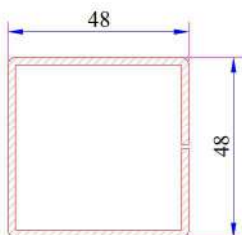
332 Door Sash Profile Reinforcement
Code: 34022-12012



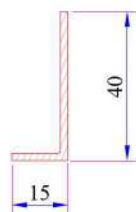
330 Frame - Sash - Mullion - Outward Opening Sash Profile Reinforcement
Code: 34022-12003



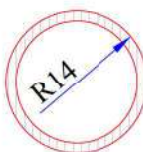
330 Frame With Sill Profile Reinforcement
Code: 34022-12021



90° Corner Profile Reinforcement
Code: 34022-12102



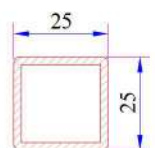
135° Corner Profile Reinforcement
Code: 34022-12301



Pipe Profile Reinforcement
Code: 34022-12503



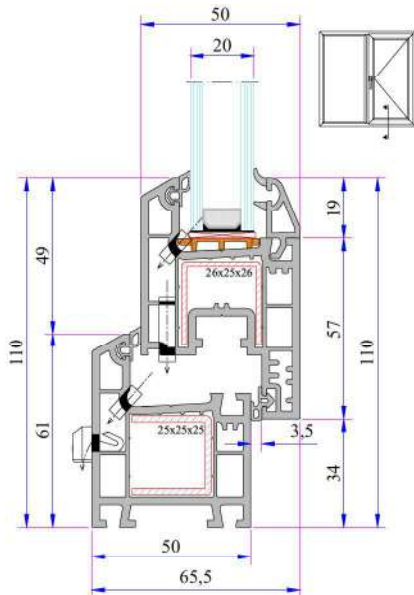
Universal Large Coupling Profile Reinforcement
Code: 34022-12123



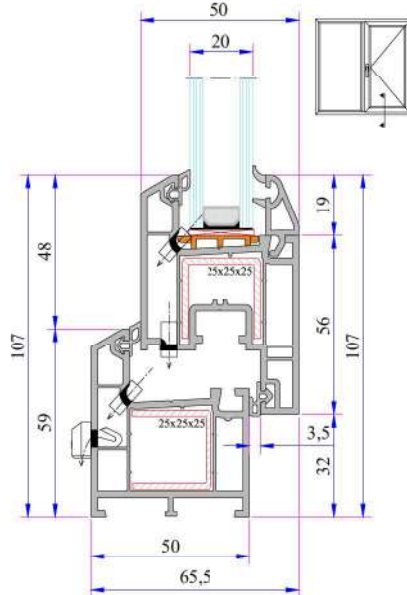
Mullion Profile Static Reinforcement
Code: 34022-12122

W 330 - 332 SERIES PVC PROFILE SYSTEM

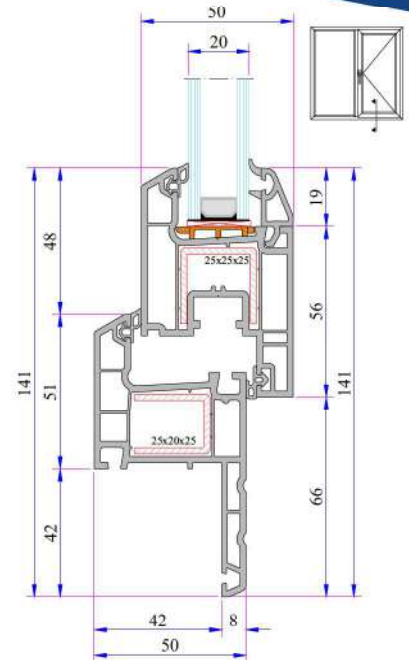
W 332 - W 330 Installation



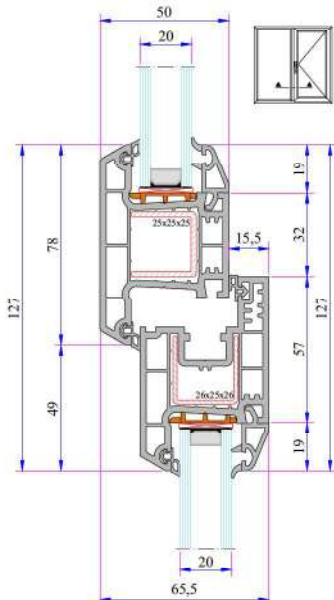
332 Frame - Sash Installation



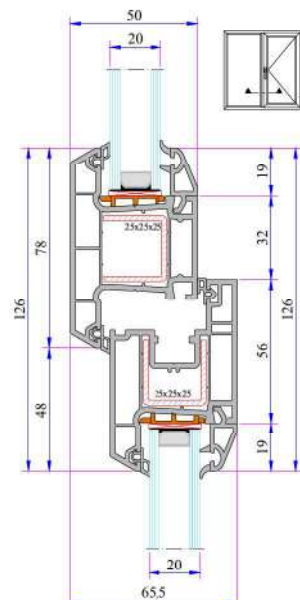
330 Frame - Sash Installation



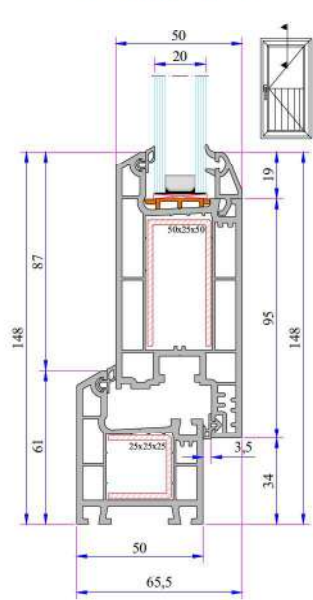
330 Frame Profile with Sill - Sash Installation



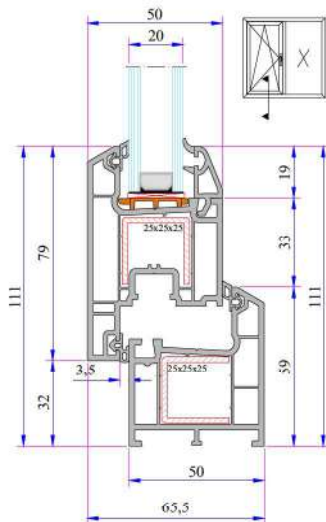
332 Mullion - Sash Installation



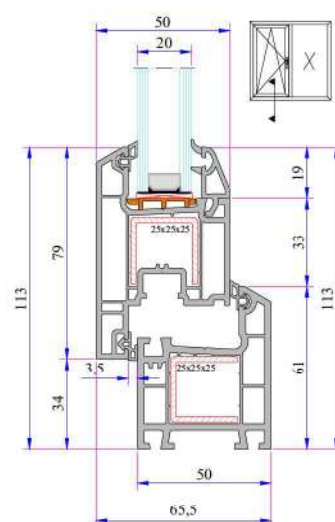
330 Mullion - Sash Installation



332 Frame - Door Sash Installation

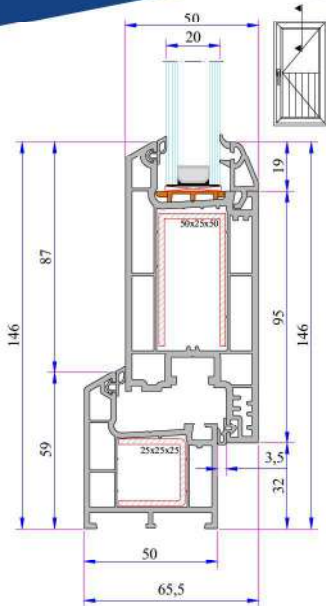


330 Frame - Outward Opening Sash Installation

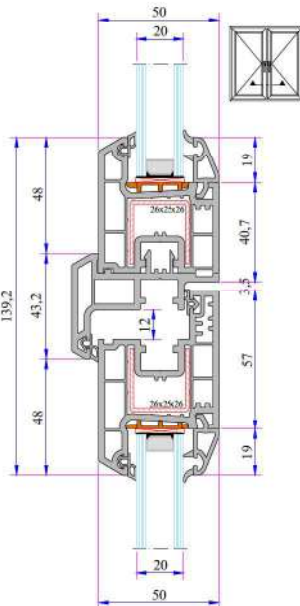


332 Frame - Outward Opening Sash Installation

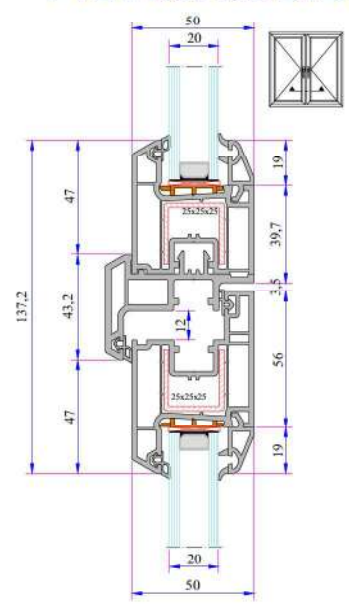
W 330 - 332 SERIES PVC PROFILE SYSTEM



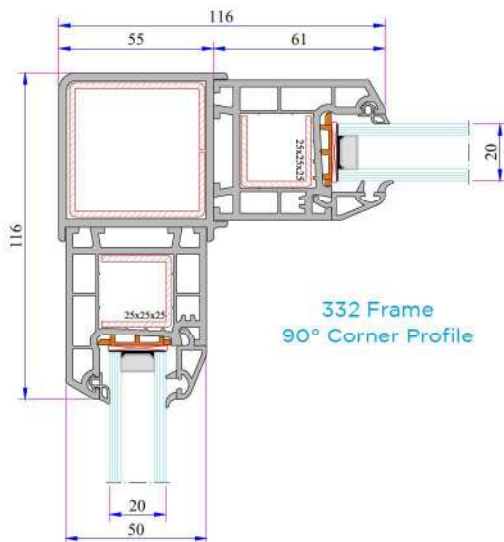
330 Frame - Door Sash Installation



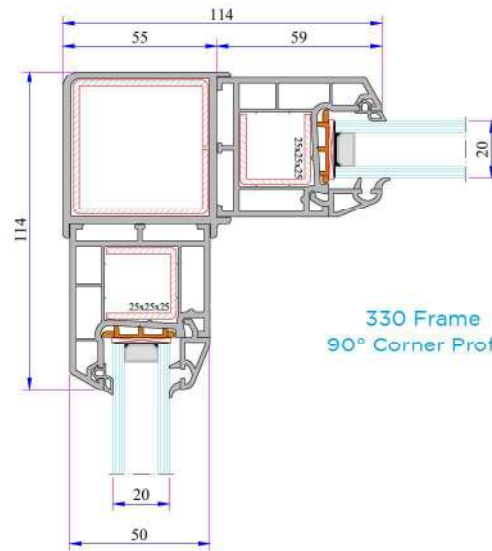
332 Sash - Lap Joint - Sash Installation



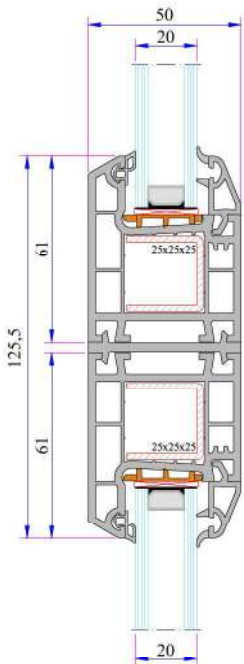
330 Sash - Lap Joint - Sash Installation



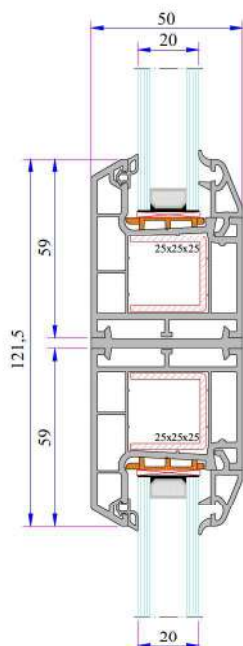
332 Frame 90° Corner Profile



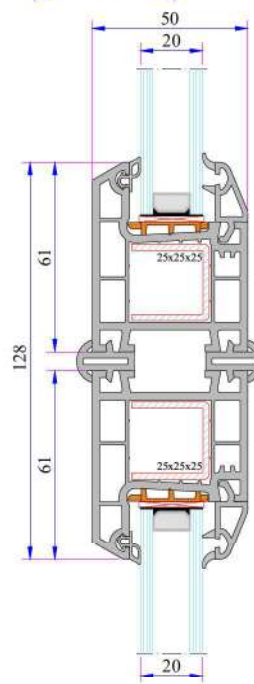
330 Frame 90° Corner Profile



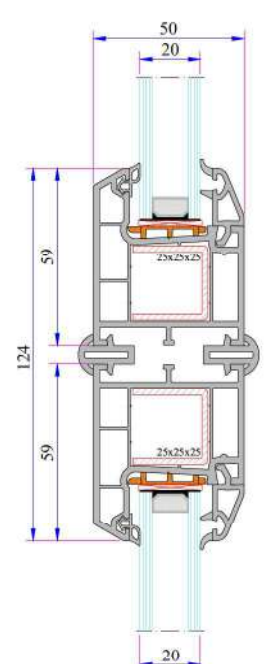
332 Frame - Narrow Coupling Profile



330 Frame - Narrow Coupling Profile

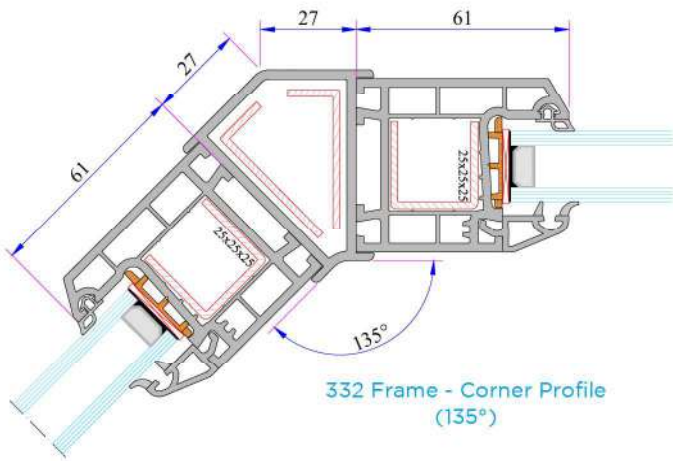


332 Frame - Short Coupling Profile

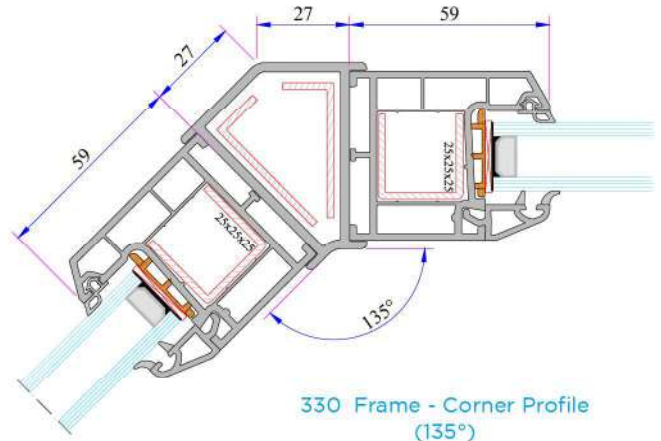


330 Frame - Short Coupling Profile

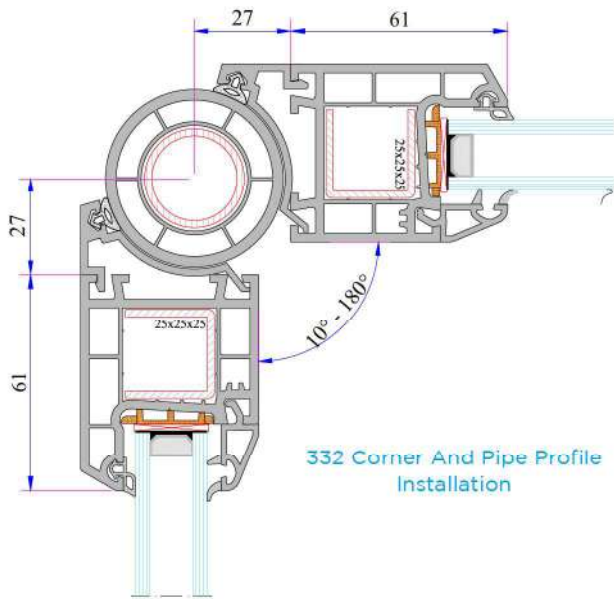
**W 330 - 332 SERIES
PVC PROFILE SYSTEM**



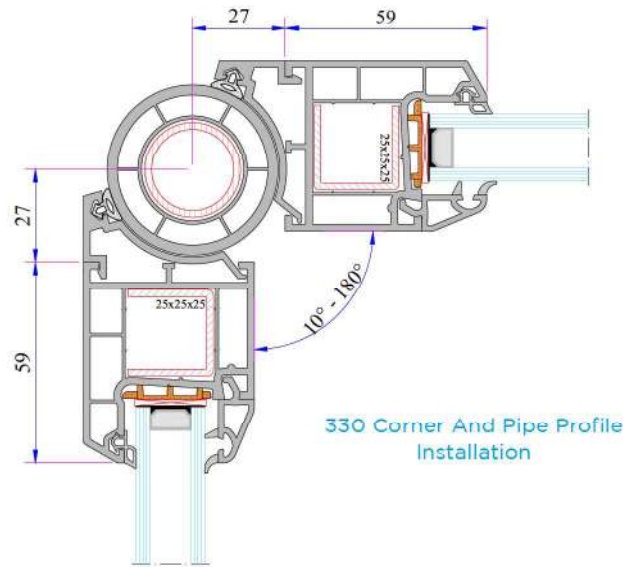
**332 Frame - Corner Profile
(135°)**



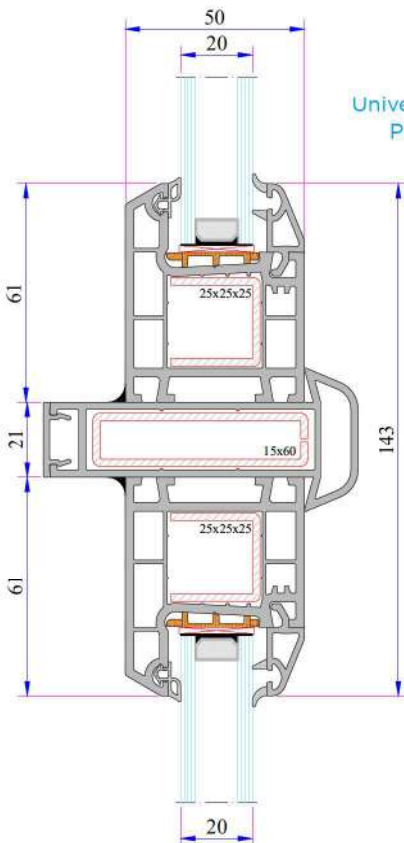
**330 Frame - Corner Profile
(135°)**



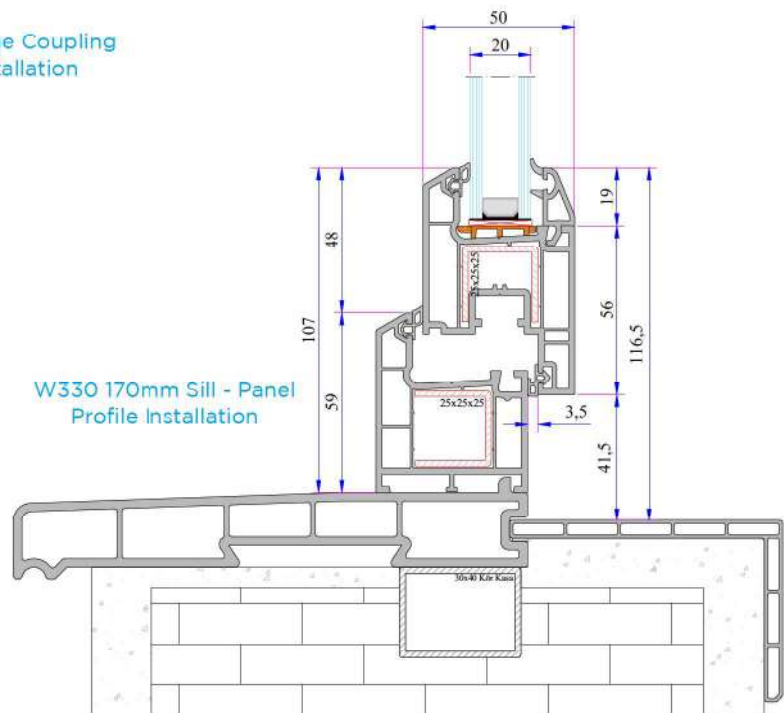
**332 Corner And Pipe Profile
Installation**



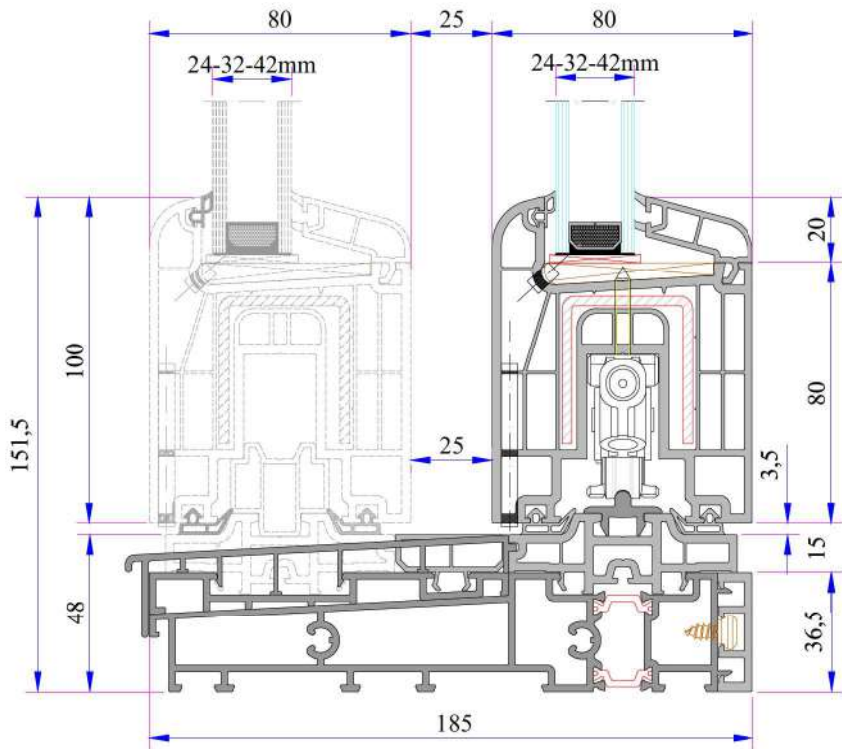
**330 Corner And Pipe Profile
Installation**



**Universal Large Coupling
Profile Installation**



**W330 170mm Sill - Panel
Profile Installation**



TECHNICAL

W 880 HEBESCHIEBE SERIES

Profile Width: 185 mm frame, 80mm sash.

Number of chambers: 5 chambers system

Profile Class: A Class (TS EN 12608-1)
RAL 716-GZ

Seal Type: External / Internal double seal system

Seal Type and Color: TPE - Grey /Black

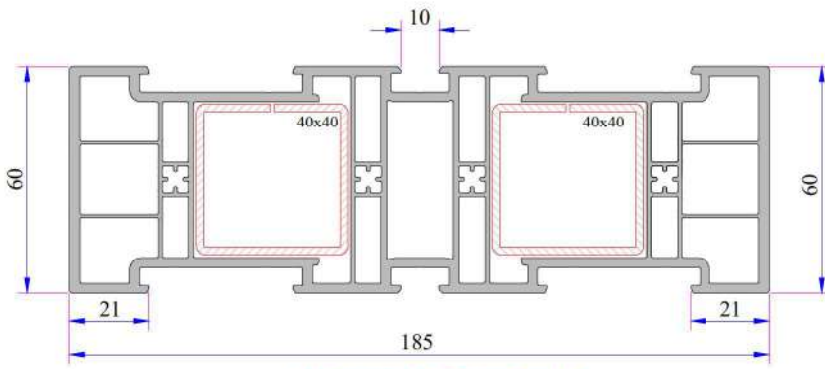
Glass Thickness (mm): 24, 32, 42 mm

The thermal insulation Uf: 1,5 W/m²K

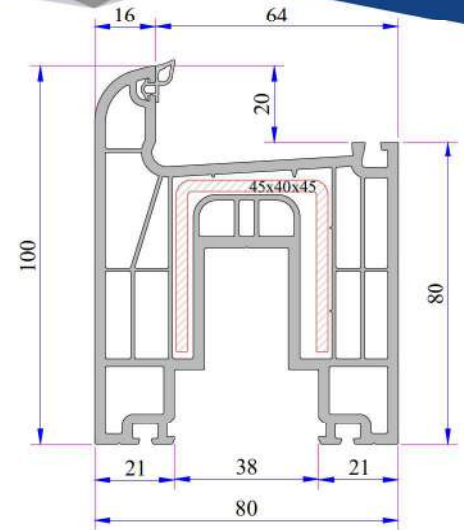
INSTRUCTION

- 185 mm Frame, 80 mm sash profile combination.
- Because of the elastic grey and black seal which does not leave any stain on profiles will be provided maximum air, water, dust and sound isolation.
- Color range for laminated products.

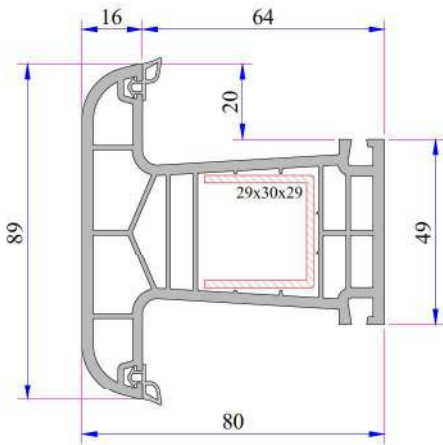
W 880 HEBESCHIEBE SERIES PVC PROFILE SYSTEM



Hebeschiebe Frame Profile
Code: P.A.930.1000.600.0.00.BC.03

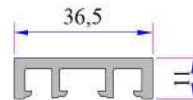
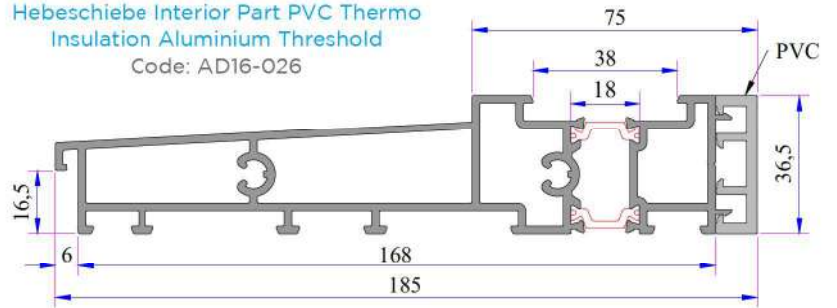


Hebeschiebe Sash Profile
Code: P.A.930.2301.600.0.00.BC.03

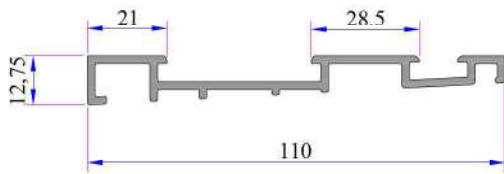


800 Series Mullion Profile
Code: P.A.860.3000.600.0.BC.03

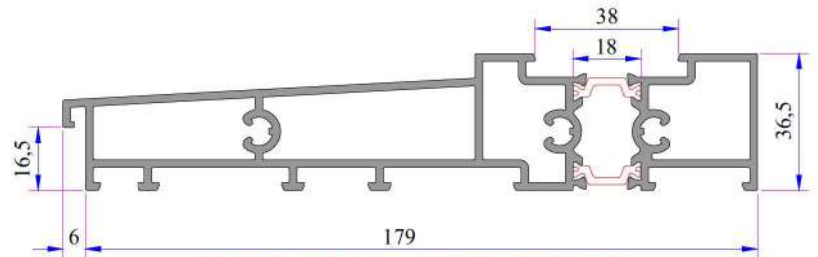
Hebeschiebe Interior Part PVC Thermo Insulation Aluminium Threshold
Code: AD16-026



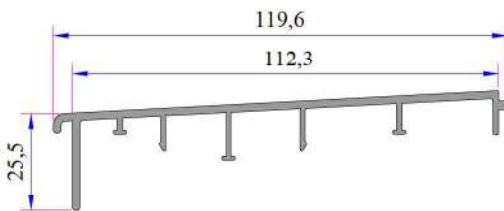
Aluminium Threshold Back Cover (PVC)
Code: P.A.930.6502.600.0.00.19



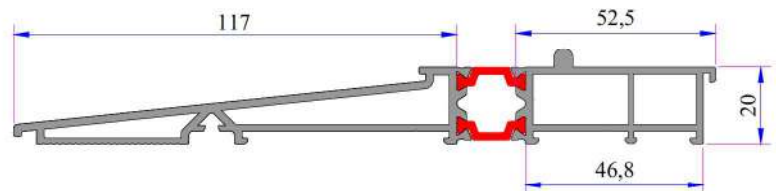
Aluminium Threshold Second Sash Rail
Code: AD16-025



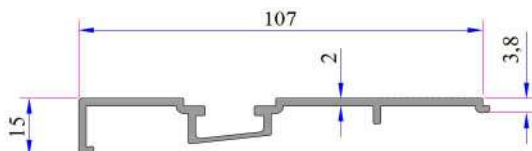
Hebeschiebe Aluminium Threshold with Thermo Insulation
Code: AD16-027



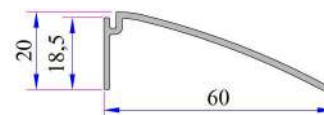
Aluminium Threshold Cover
Code: AD16-024



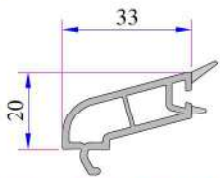
Hebeschiebe Aluminium Threshold with Thermo Insulation 20mm (In Process)



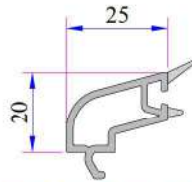
Aluminium Threshold Second Sash Rail (In Process)



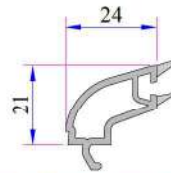
20mm Threshold Inner Profile (In Process)



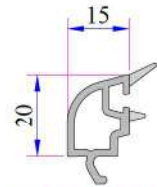
Double Glazing Bead (24mm)
Code: P.A.800.4200.600.0.HC



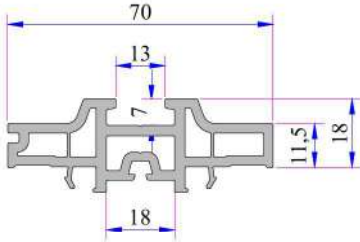
Triple Glazing Bead (32mm)
Code: P.A.800.4500.600.0.HC



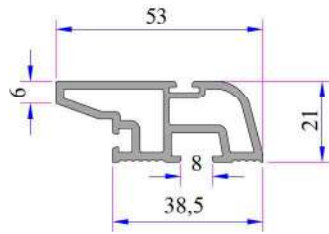
Triple Glazing Bead (32mm)
Code: P.A.750.4204.600.0.HC



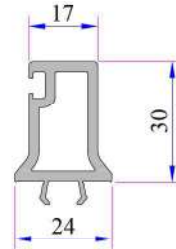
Triple Glazing Bead (42mm)
Code: P.A.800.4600.600.0.HC



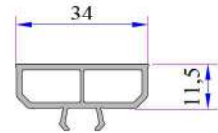
Hebeschiebe Sash and Rail Adaptor
Code: P.A.930.6500.600



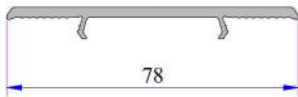
Hebeschiebe Sash Lap Strip Profile
Code: P.A.930.6504.600



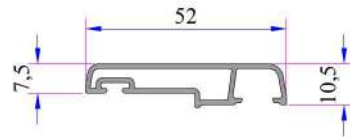
Hebeschiebe Frame Middle Adaptor
Code: P.A.900.6503.600



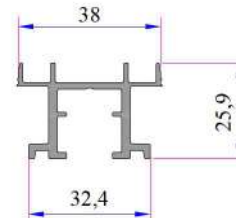
Hebeschiebe Sash Frame Middle Channel Cover
Code: P.A.930.6505.600



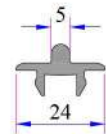
Hebeschiebe Sash Back & Frame Channel Cover
Code: P.A.930.6506.600



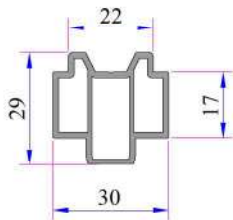
Frame Out Cornice Alm.
Code: AD16-022



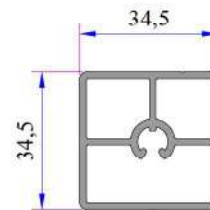
Frame Top Rail Aluminium
Code: AD16-019



Sash Lower Rail Aluminium
Code: AD16-020

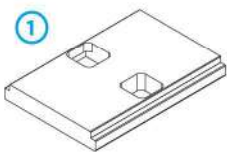


Stable Guide For Sash Aluminium
Code: AD16-021

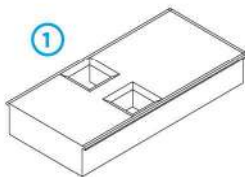


Frame Internal Puller Aluminium (8cm)
Code: AD16-023

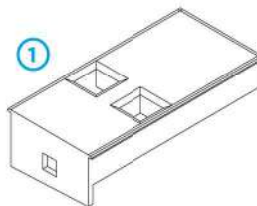
Hebeschiebe Set Accessories



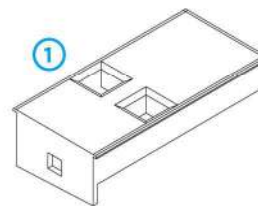
PVC Ve Alm. Lower Frame Corner Connection



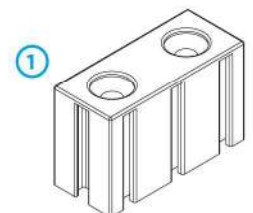
Multi Sash Below Part Impermeability



Double Sash Lower Middle Right Part Impermeability



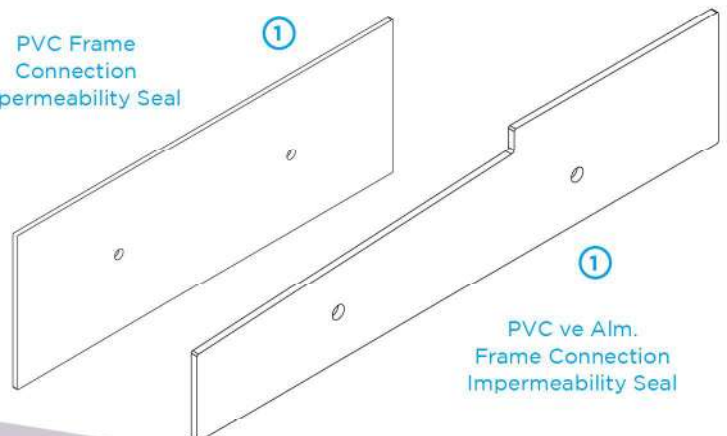
Double Sash Lower Middle Part Impermeability



Frame - Sash Upper Middle Impermeability

- ① 34068-20110 ALUMINIUM FRAME SET RIGHT WHITE
- ① 34068-20111 ALUMINIUM FRAME SET RIGHT BLACK
- ① 34068-20120 ALUMINIUM FRAME SET LEFT WHITE
- ① 34068-20121 ALUMINIUM FRAME SET LEFT BLACK
- ① 34068-20130 PVC FRAME SET WHITE
- ① 34068-20131 PVC FRAME SET BLACK

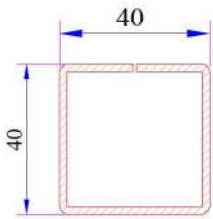
PVC Frame Connection Impermeability Seal



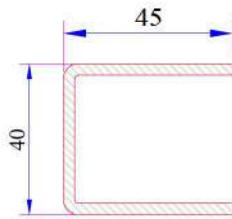
PVC ve Alm. Frame Connection Impermeability Seal

W 880 HEBESCHIEBE SERIES PVC PROFILE SYSTEM

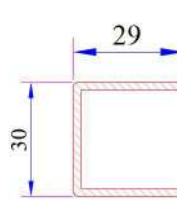
W 880 Hebeschiebe Re-Inforcement Profiles



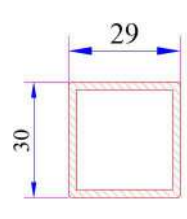
Hebeschiebe Frame Profile Reinforcement
Code: 34022-20110



Hebeschiebe Sash Profile Reinforcement
Code: 34022-25001

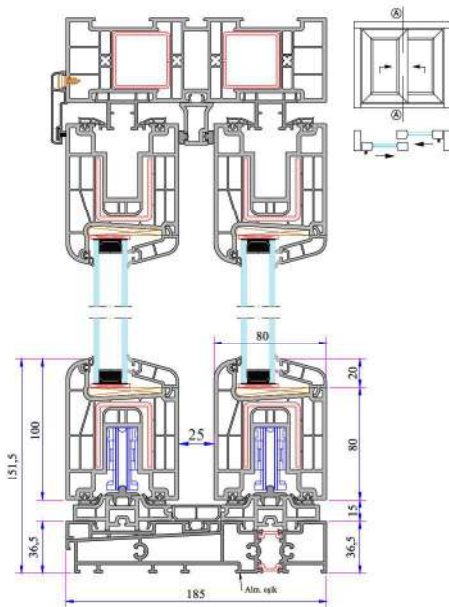


Mullion Profile Reinforcement
Code: 34022-15002

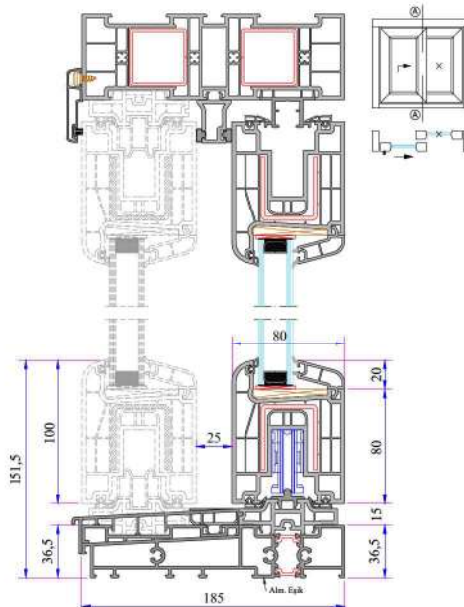


Mullion Profile Static Reinforcement
Code: 34022-15129

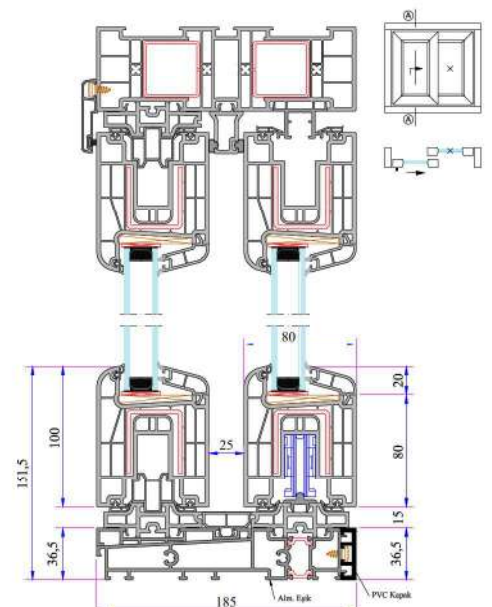
W 880 Hebeschiebe Installation



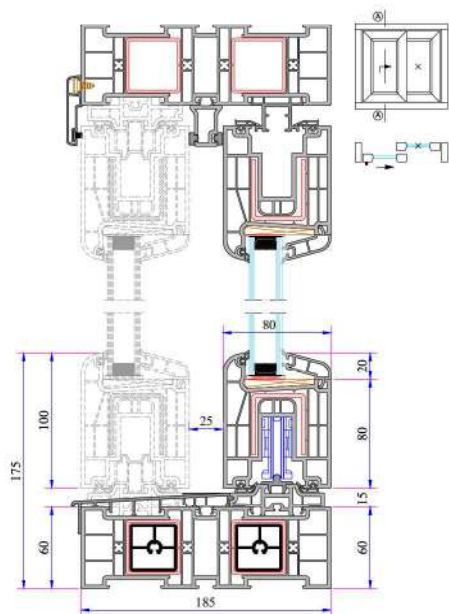
Sliding Double Sash - Aluminium Threshold Installation



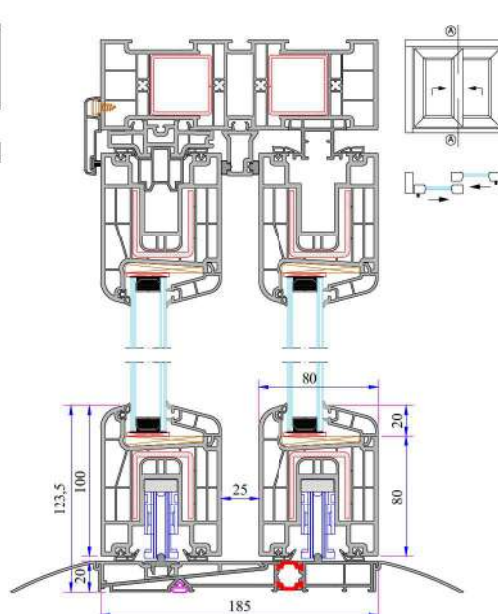
Single Sash Sliding - Lower Sill Aluminium Installation



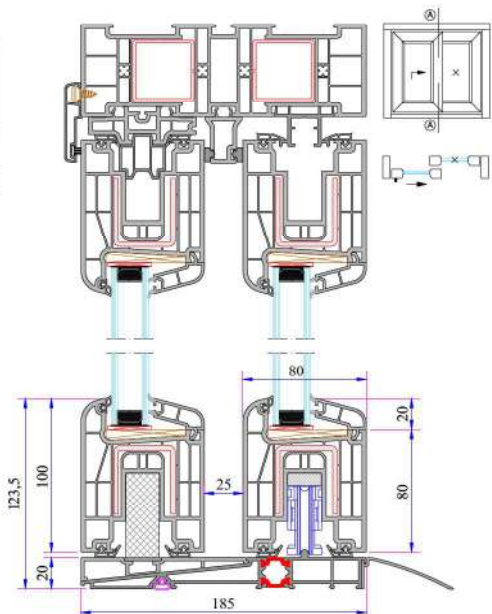
Single Sash Sliding - Lower Sill Aluminium - PVC Cover Installation



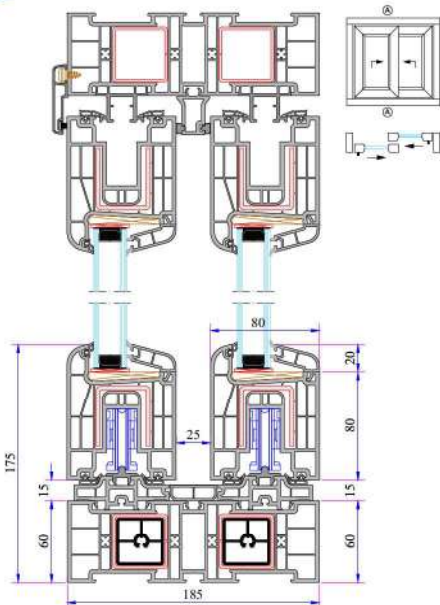
Single Sash Sliding Lower Sill PVC Installation



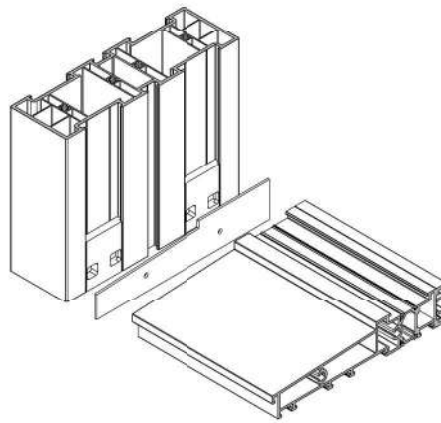
Double Sash Sliding - Lower Sill 20mm Aluminium Installation



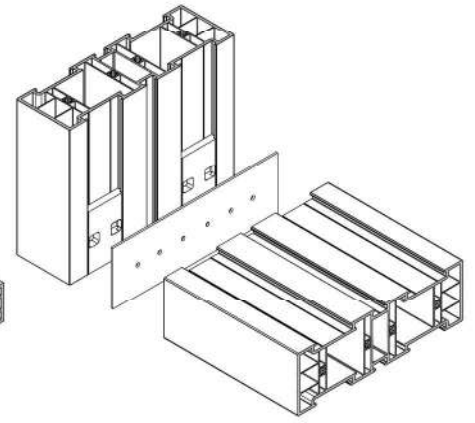
Single Sash Sliding - Lower Sill 20mm Aluminium Installation



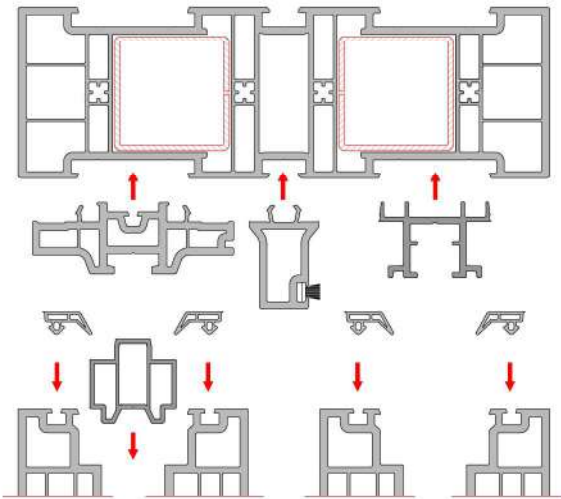
Double Sash Sliding - PVC Frame Installation



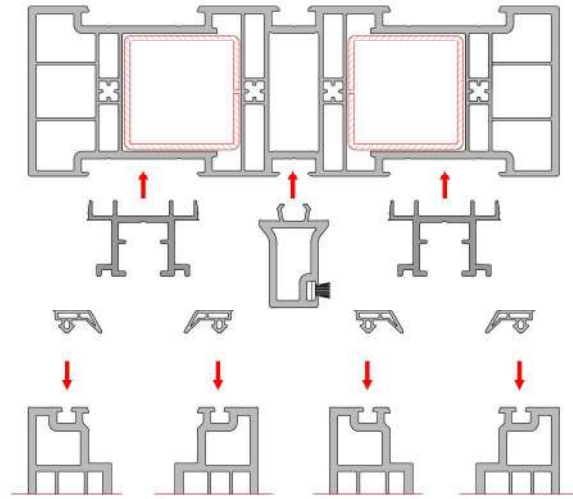
Frame - Alm. Threshold Connection Installation



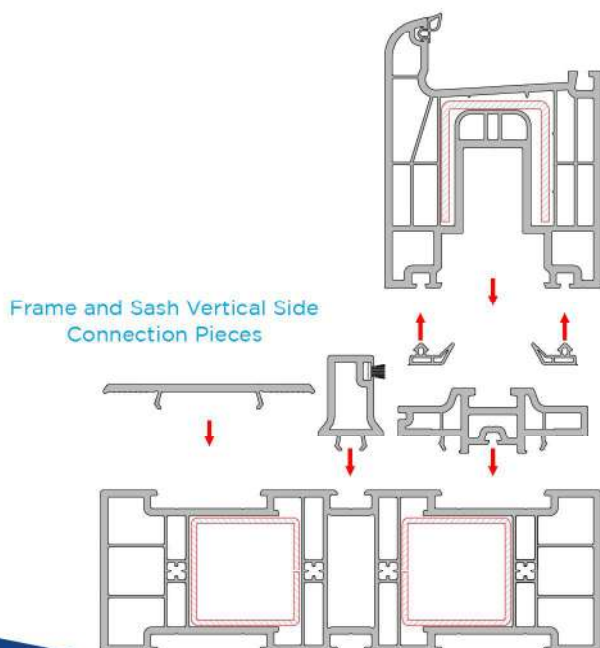
Frame Corner Connection Installation



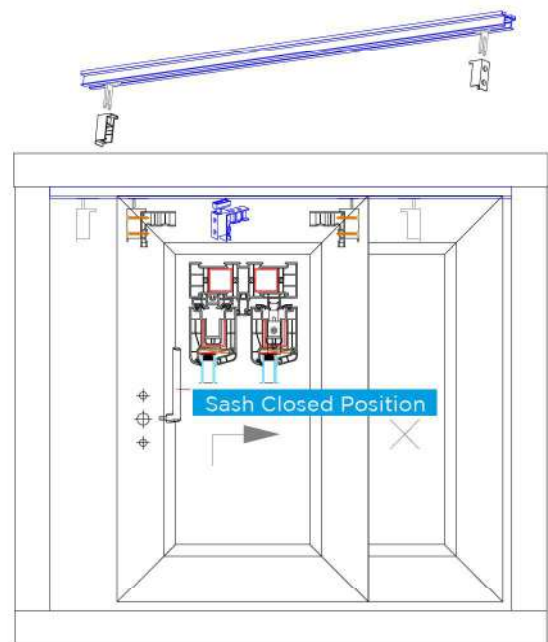
1 Sliding Sash System - Frame and Sash Installation



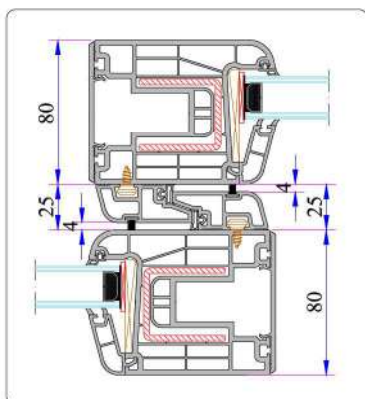
2 Sliding Sash System - Frame and Sash Installation



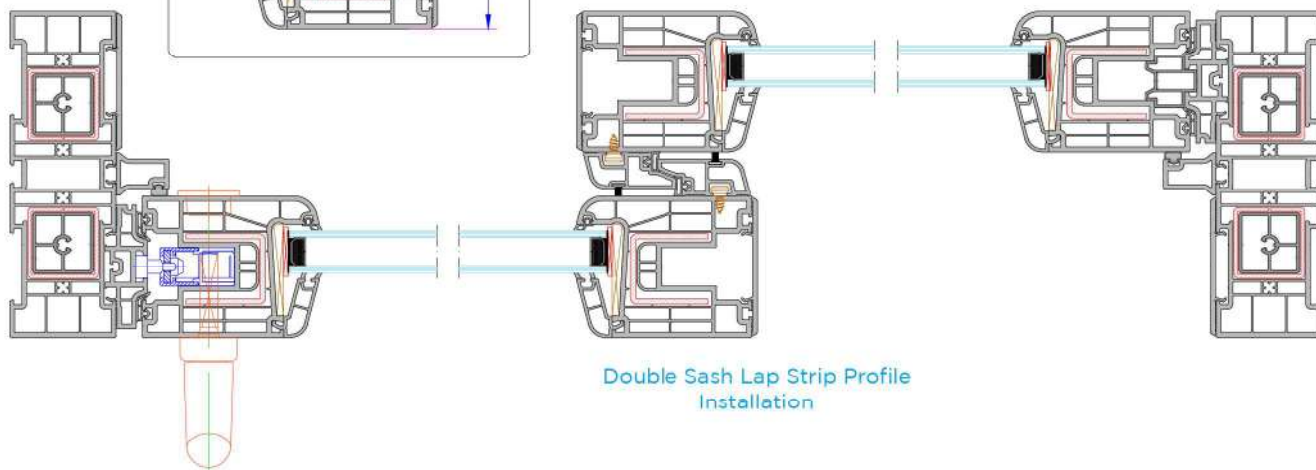
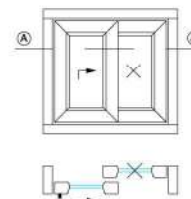
Frame and Sash Vertical Side Connection Pieces



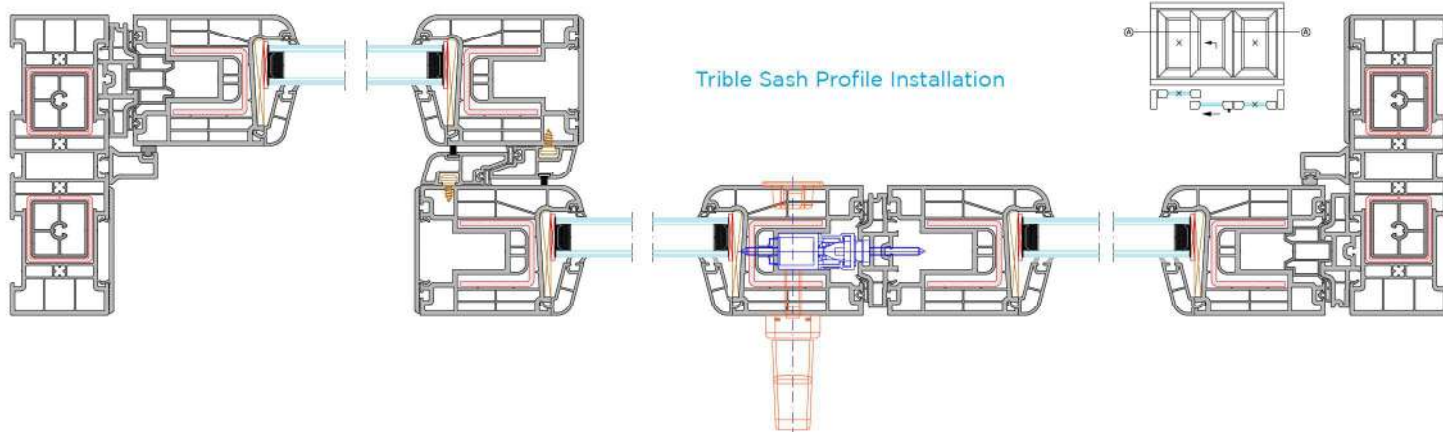
Top Rail Connection



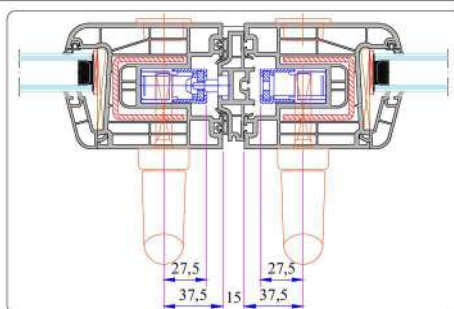
Sash Lap Strip Profile Installation



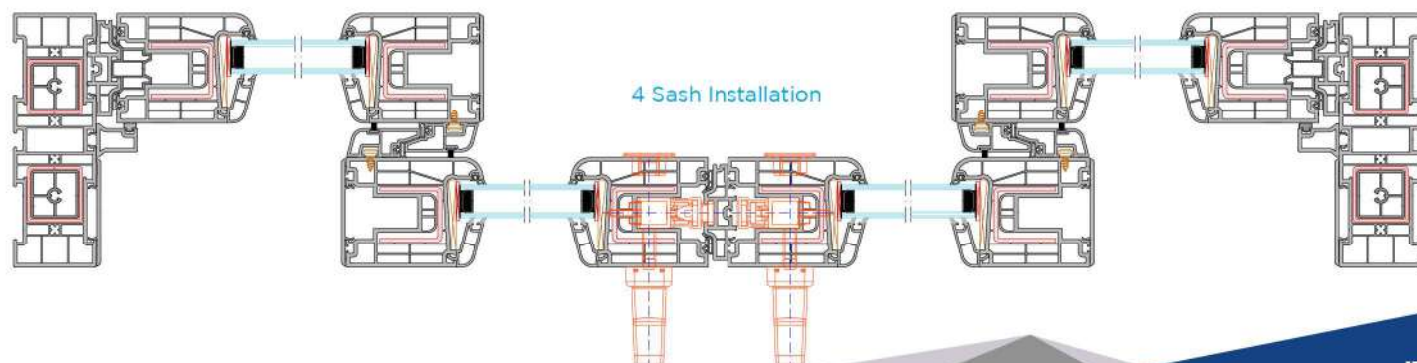
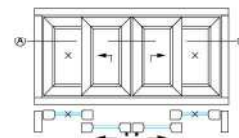
Double Sash Lap Strip Profile Installation



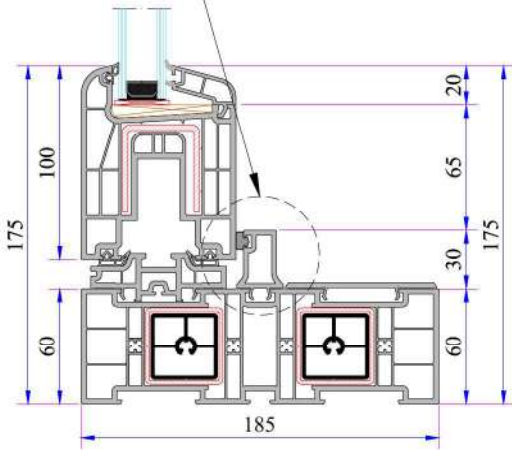
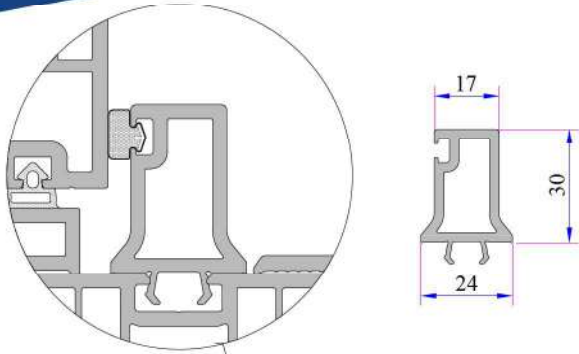
Trible Sash Profile Installation



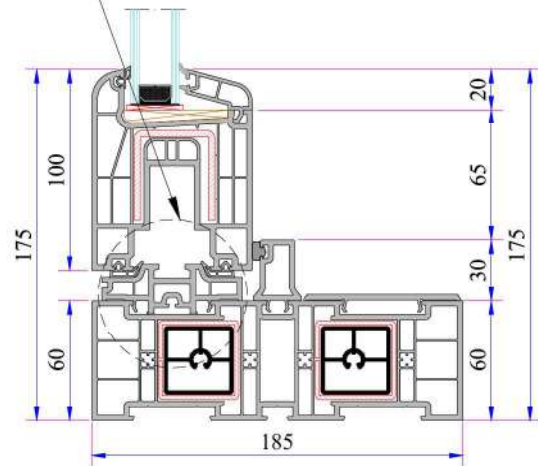
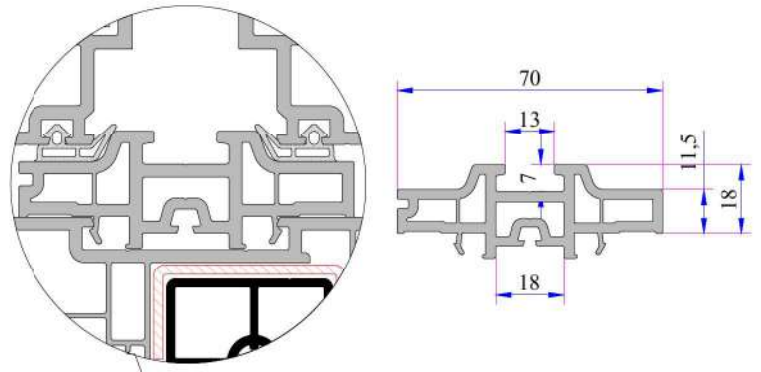
Sash and Rail Adaptor Installation



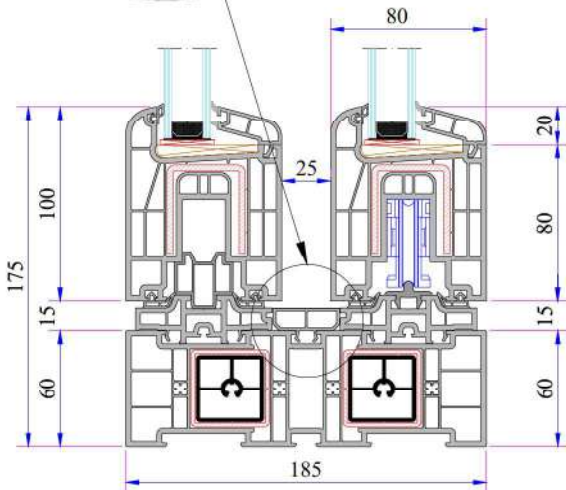
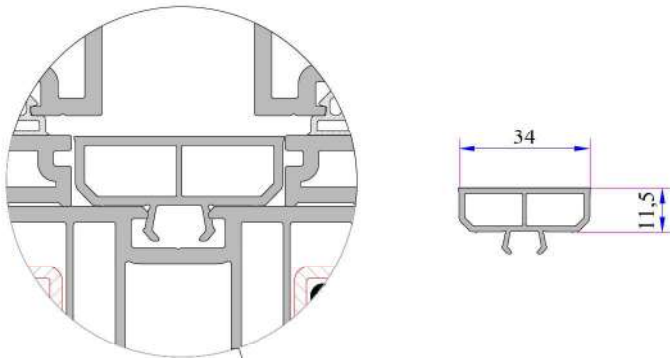
4 Sash Installation



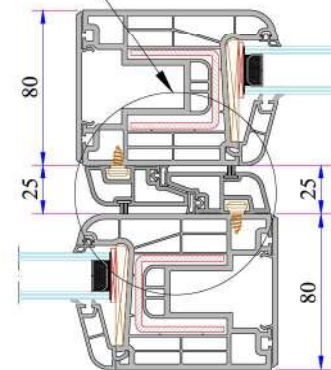
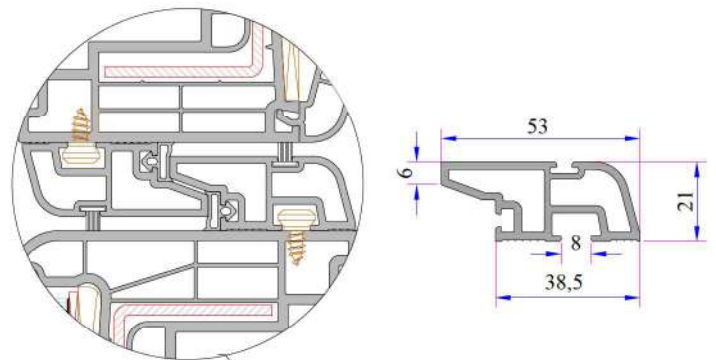
Hebeschiebe Frame Middle Adaptor Installation



Hebeschiebe Sash and Rail Adaptor Installation

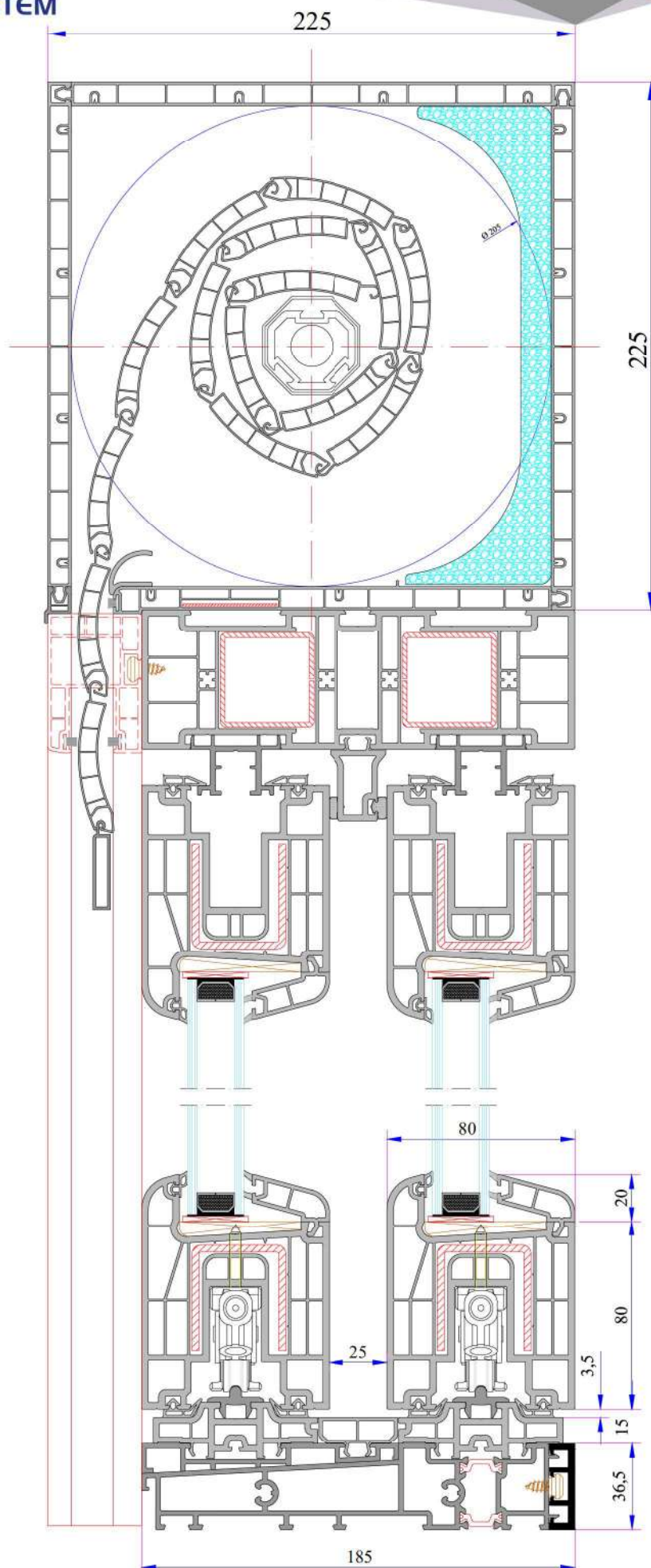


Hebeschiebe Sash Frame Middle Channel Cover Installation



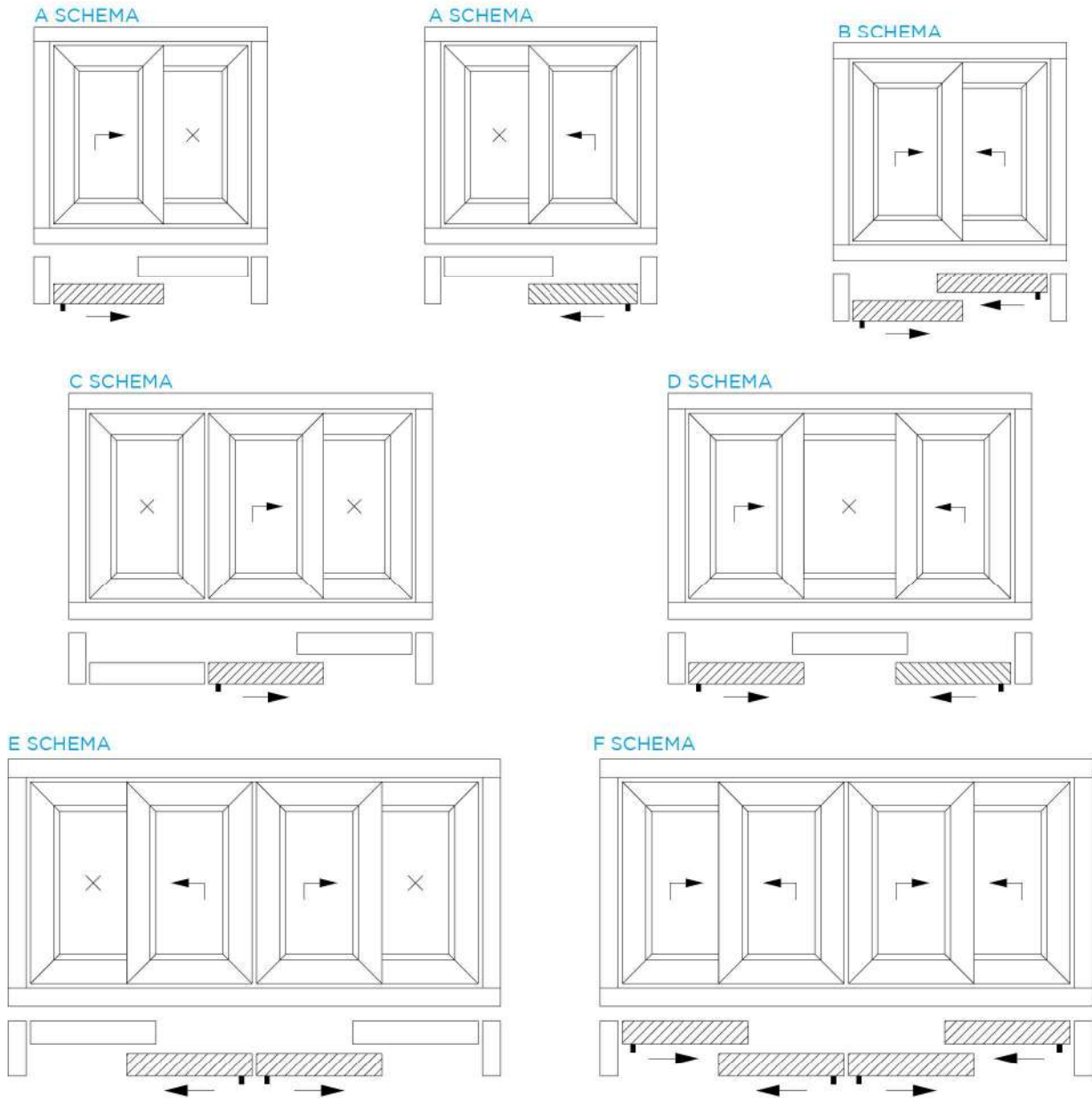
Hebeschiebe Sash Lap Strip Profile Installation

W 880 HEBESCHIEBE SERIES
PVC PROFILE SYSTEM



225x225 Roller Shutter Box Application In Hebeschiebe Sliding System
(55-37-39-40mm Slip Applicable)

THE APPLICATIONS OF HEBESCHIEBE SYSTEM



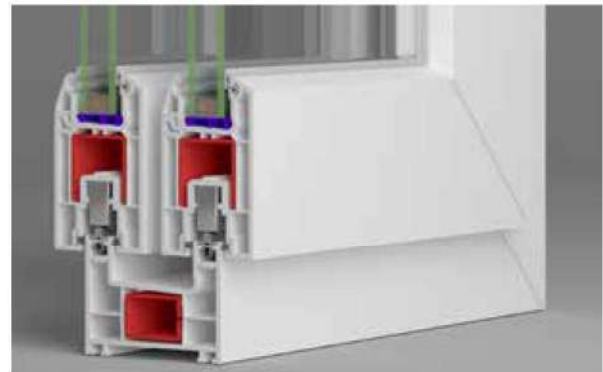
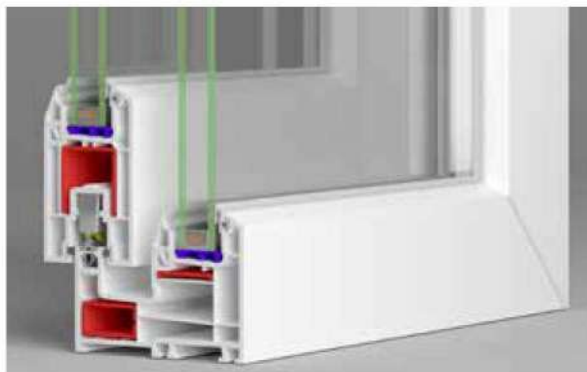
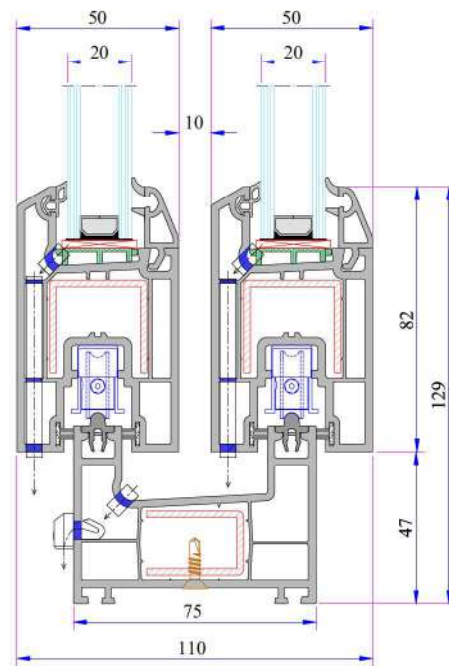
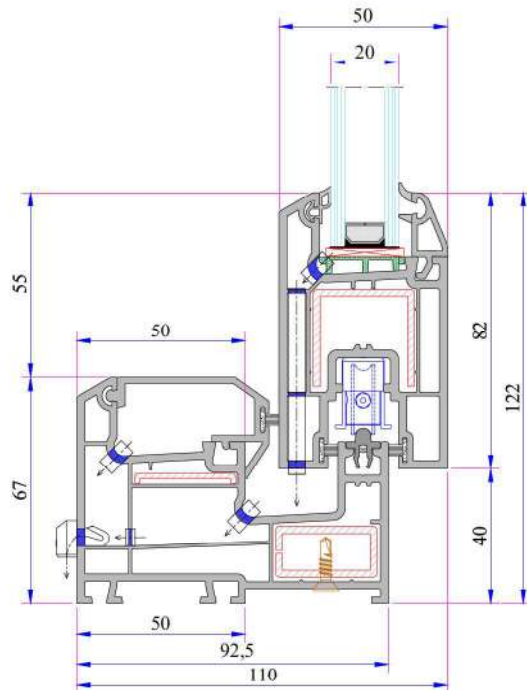
W 880 MAXIMUM MEASUREMENT

For W 880 series Windows, the maximum installation measurements (width/ height) are written on below chart. The specified measurements can not be exceeded.

Description	White Profile		Colored Profile	
	(A - B) Double Sash	(C-D-E-F) Multi Sash	(A - B) Double Sash	(C-D-E-F) Multi Sash
Width (m)	6 m	6,5 m	5 m	6,5 m
Height (m)	2.7 m	2.7 m	2.4 m	2.4 m
Space of Glass (m ²)	6.5 m ² x 2	-	5.5 m ² x 2	-
Surface Area of Window (m ²)	16.2 m ²	17,5 m ²	12 m ²	15,6 m ²

The accessories of the system can handle (include also glass) maximum 300 kg. If the sash weight is more than 400 kg it, has to be used necessary accessories for this weight.





TECHNICAL

W 232 DOUBLE AND SINGLE RAIL SLIDING SERIES

Profile Width: 75 mm double rail frame, 92,5 mm single rail frame and 50 mm sliding system sash profile.

Number of chambers: 3 chambers system

Profile Class: B Class (TS EN 12608-1)

Seal Type: The insulated bristle wick system

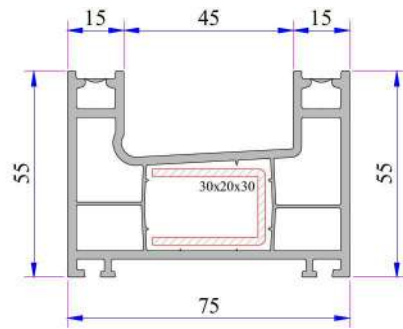
Seal Type and Color: TPE - Grey /Black

Glass Thickness (mm): 4 - 6, 20, 24 mm

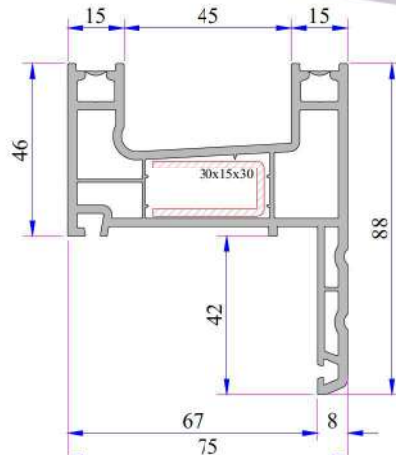
INSTRUCTION

- 75 mm profile width with double railed frame and 92,5 mm width single rail alternative frame and 50 mm width of sash profile.
- Perfect thermal, sound and water isolation because of the 3 chambers system.
- The medium locked sash with a seal system.
- Application of single glaze 4-6 mm and insulating glass 20, 24 mm by grey sealed glazing beads in different thickness.
- Application with roller shutter and without roller shutter choices.
- Wooden designed laminated applications.

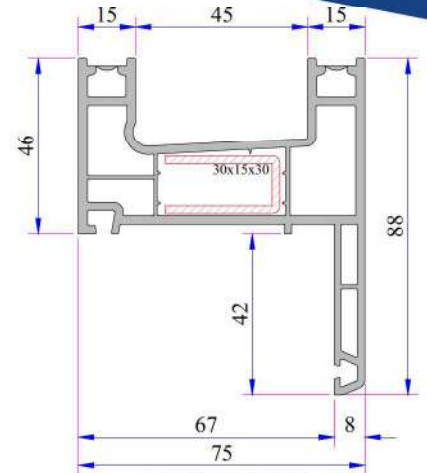
W 232 RAIL SERIES PVC PROFILE SYSTEM



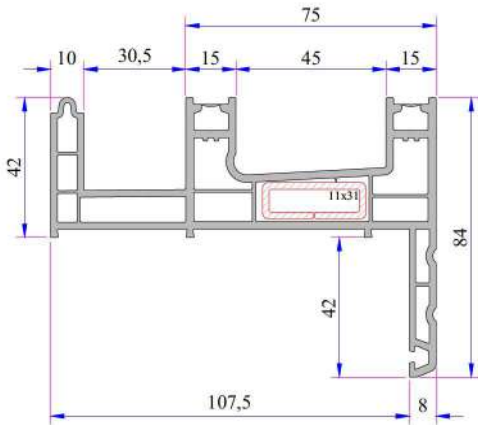
Frame Profile (Double Rail)
Code: P.A.232.1106.600.0.00.03



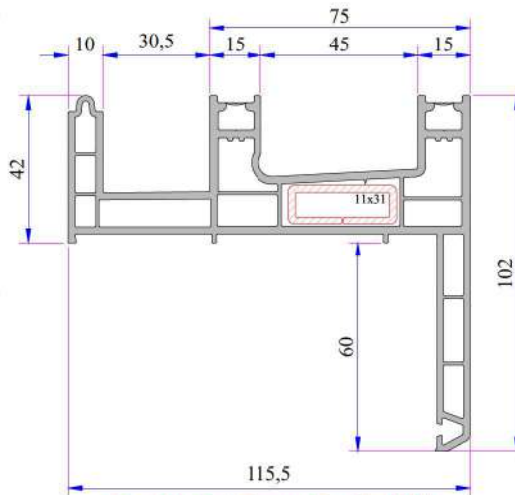
Frame Profile With Sill (Decorative)
Code: P.A.232.1107.600.0.00.03



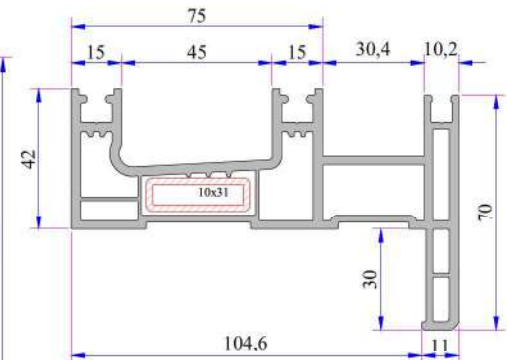
Frame Profile With Flat Sill
Code: P.A.232.1110.600.0.00.03



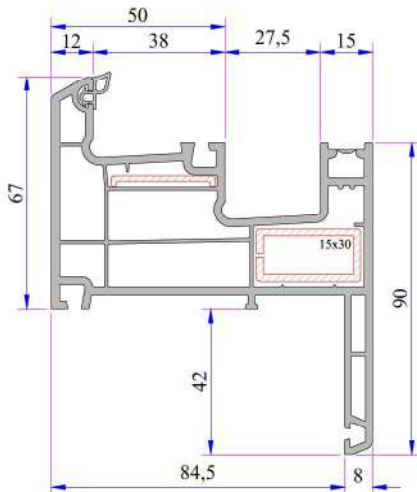
Frame Profile With Fly - Screen & Sill
Code: P.A.232.1109.600.0.00.03



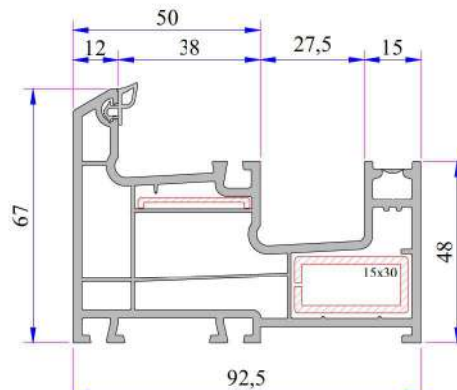
**Double Rail Frame Profile With
Fly - Screen 60 mm Sill**
Code: P.A.232.1115.600.0.BC.03



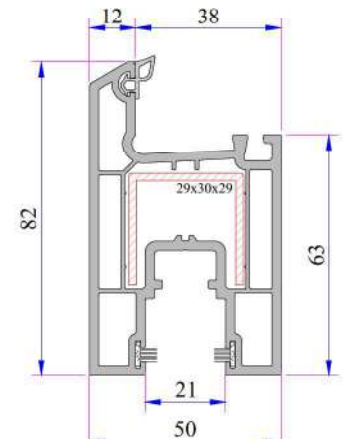
Frame Profile With Internal Fly-Screen
Code: P.A.242.1104.600.0.00.03



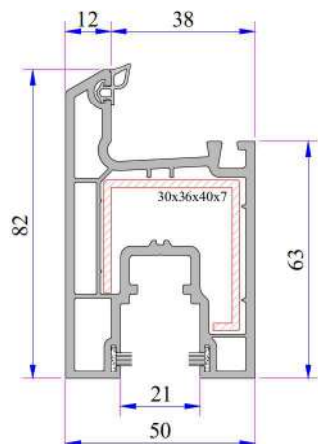
Frame Profile With Sill (Single Rail)
Code: P.A.232.1114.600.0.00.03



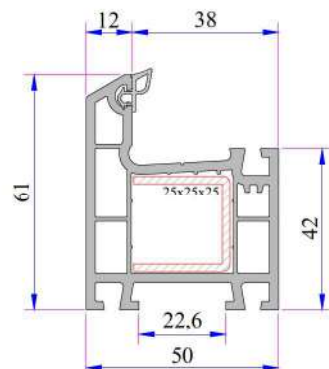
Frame Profile (Single Rail)
Code: P.A.232.1105.600.0.BC.03



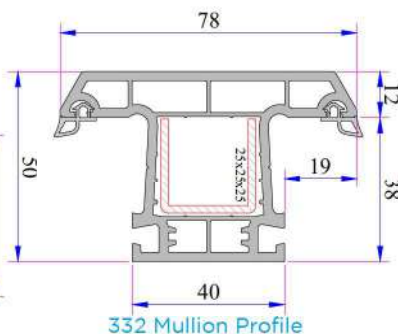
Sliding System Sash Profile
Code: P.A.232.2300.600.0.BC.03



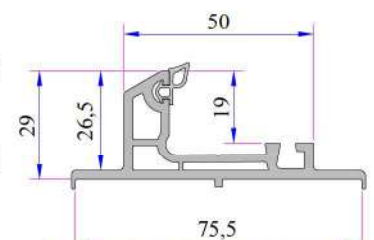
Sliding System Sash Profile (Static)
Code: P.A.232.2308.111.0.BC.01



332 Frame Profile
Code: P.A.332.1000.600.0.BC.03

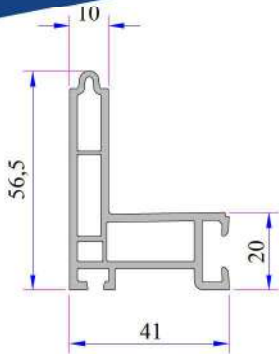


332 Mullion Profile
Code: P.A.332.3000.600.0.BC.03

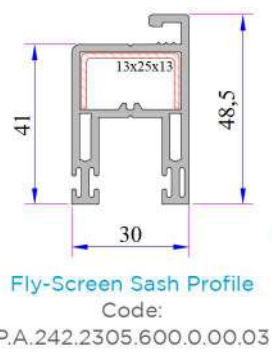


Double Rail Adaptor Profile
Code: P.A.232.5800.600.0.BC.19

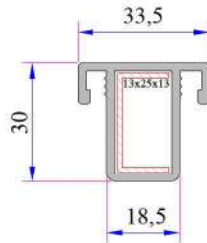
W 232 RAIL SERIES PVC PROFILE SYSTEM



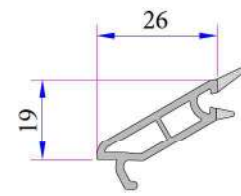
Screen Adaptör Profile
Code: P.A.232.5802.600.0.00.19



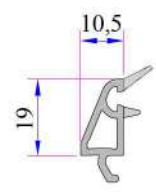
Fly-Screen Sash Profile
Code: P.A.242.2305.600.0.00.03



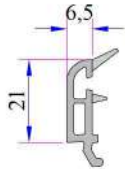
Fly-Screen Mullion Profile
Code: P.A.242.3200.600.0.00.03



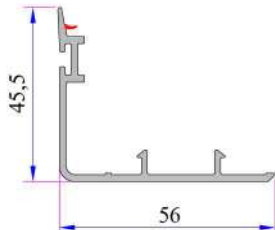
Single Glazing Bead (4mm)
Code: P.A.332.4000.600.0.HC



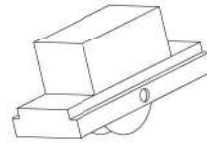
Double Glazing Bead (20mm)
Code: P.A.332.4100.600.0.HC



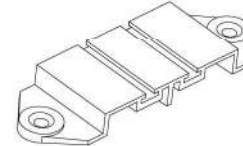
Double Glazing Bead (24mm)
Code: P.A.532.4500.600.0.HC



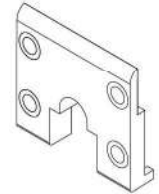
Sash Cover Profile
Code: P.A.222.8700.600



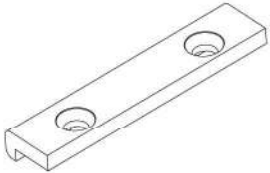
Sliding Roller Plastic
Code: 34009-17010



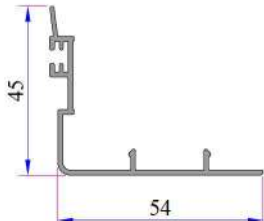
Sealing Bit Single Rail
Code: 34009-26020



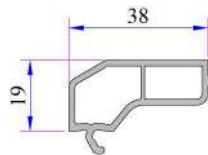
Sliding Sash End Bit
Code: 34009-46010



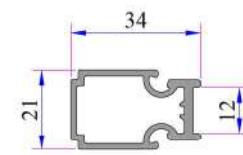
Upper bedding Piece for Sliding Rail
Code: 34009-36010



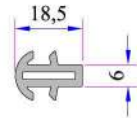
Alm. Sash Cover Profile
Code: 16051.601.5.1.1.9016



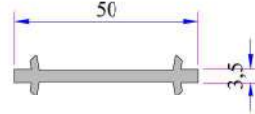
PVC Cover Profile
Code: P.A.232.5702.600



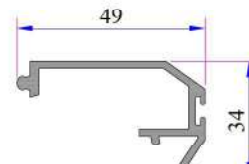
Alm. Double Rail Adaptor Profile
Code: AD16-011 (White)



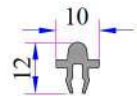
Short Coupling Profile
Code: P.A.099.5003.600



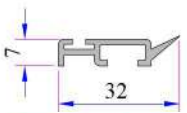
Narrow Coupling Profile
Code: P.A.050.5001.600



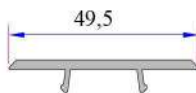
Alm. Cover Profile
Code: 16013.601.5.2.0.0000



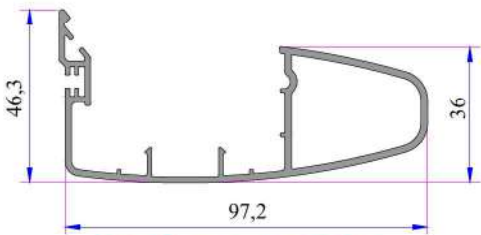
Alm. Sliding Rail Profile
Code: 16014.601.5.0.0.0000



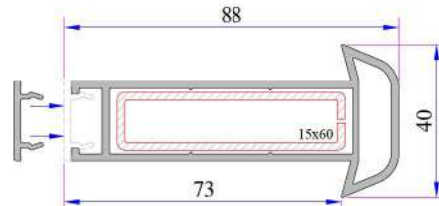
Lap Strip Profile
Code: P.A.232.5301.600



PVC Sash Cover Profile
Code: P.A.232.5704.600



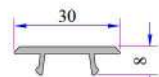
Sash Cover Grillage Profile
Code: 16028.601.5.2.0.0000



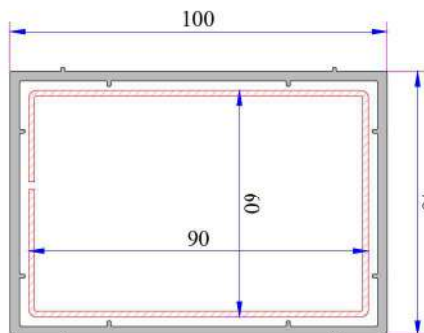
Universal Large Coupling Profile
Code: P.A.058.5000.600.0.19



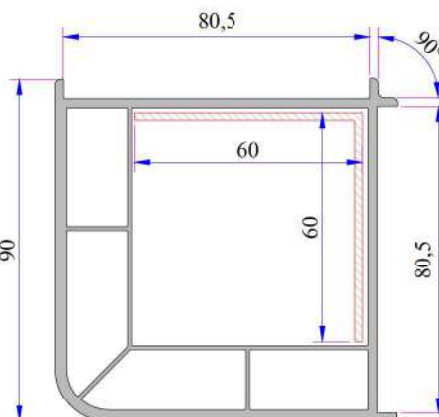
Universal Large Coupling Cover Profile
Code: P.A.058.5707.600.0.00.19



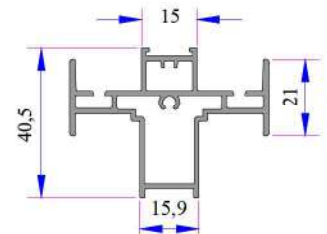
Screen Sash Cover Profile
Code: P.A.242.5701.600



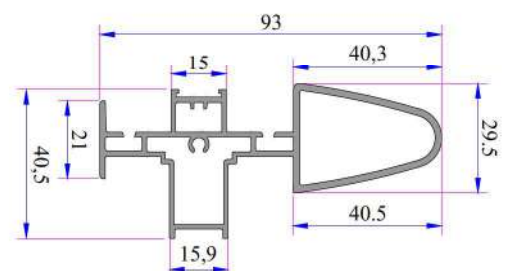
Box Profile (70x100)
Code: P.A.070.5202.600.0.00.19



90° Corner Profile
Code: P.A.080.5100.600.0.00.19 (White)



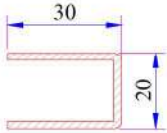
With Alum. Lug Double Sash Middle Adaptor (In Process)



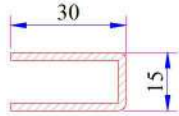
With Alum. Grillage Double Sash Middle Adaptor (In Process)

W 232 RAIL SERIES PVC PROFILE SYSTEM

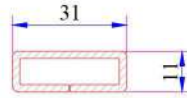
W 232 Re-Inforcement Profiles



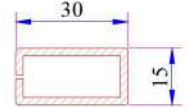
Double Rail Frame Profile Reinforcement
Code: 34022-12006



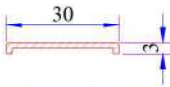
Frame Profile with Sill - Frame Profile with Flat Sill Reinforcement
Code: 34022-12034



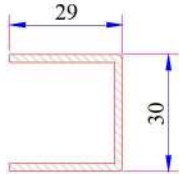
Frame With Fly-Screen & Sill Reinforcement
Code: 34022-12107



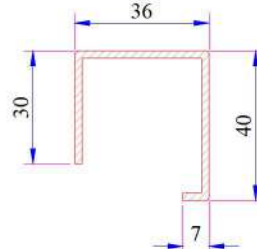
Frame Profile (Single Rail) - Frame Profile With Sill (Single Rail) Reinforcement
Code: 34022-12125



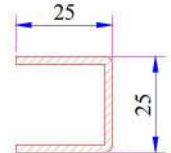
Frame Profile (Single Rail) - Frame Profile With Sill (Single Rail) Reinforcement
Code: 34022-12035



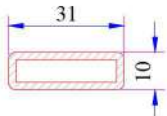
Sliding System Sash Profile Reinforcement
Code: 34022-12002



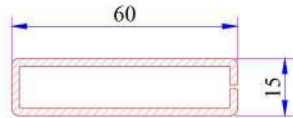
Sliding System Sash Profile (Static) Reinforcement
Code: 34022-12036



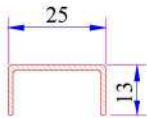
332 Frame - Mullion Profile Reinforcement
Code: 34022-12003



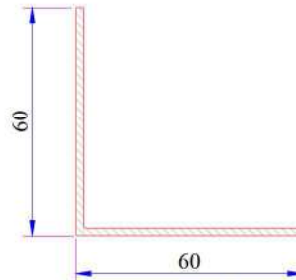
Frame With Internal Fly-Screen Reinforcement
Code: 34022-12107



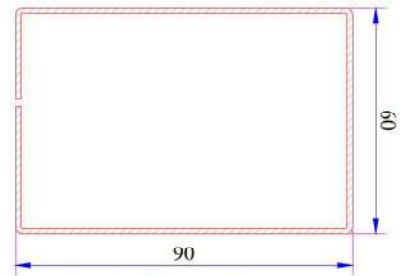
Universal Large Coupling Profile Reinforcement
Code: 34022-12123



Fly-Screen Sash - Fly-Screen Mullion Profile Reinforcement
Code: 34022-12008

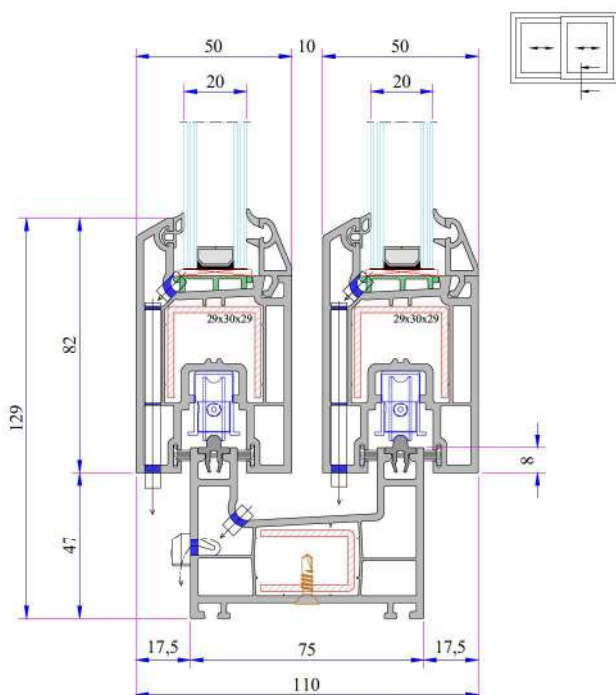


90° Corner Profile Reinforcement
Code: 34022-12306

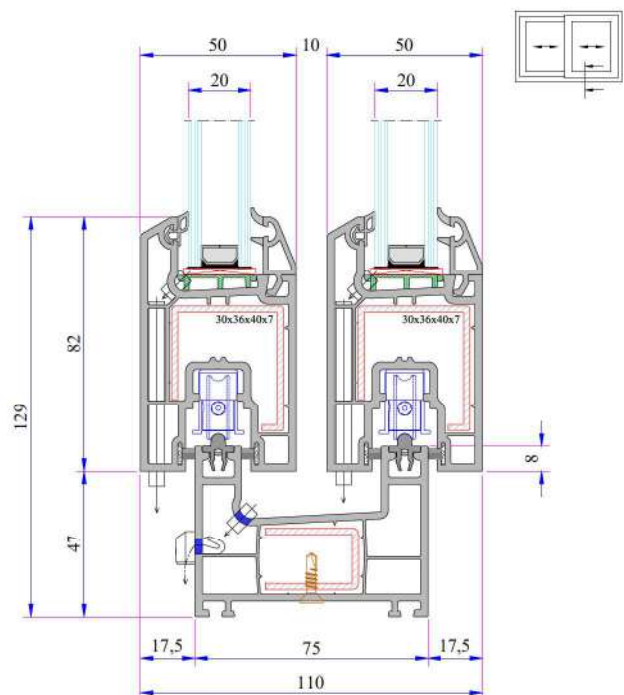


Box Profile Reinforcement
Code: 34022-12121

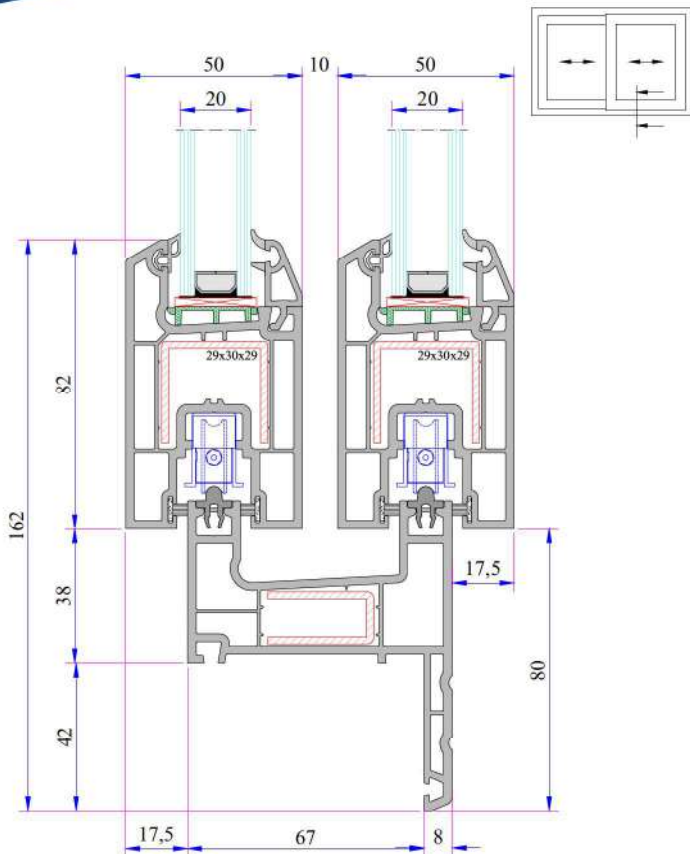
W 232 Installation



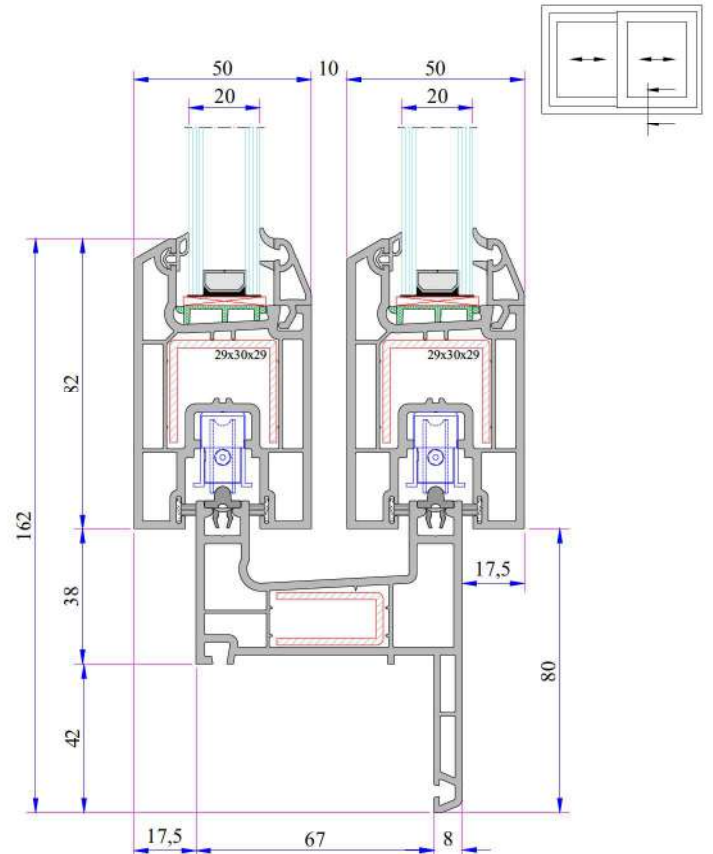
Sliding Frame Sash Double Rail Installation



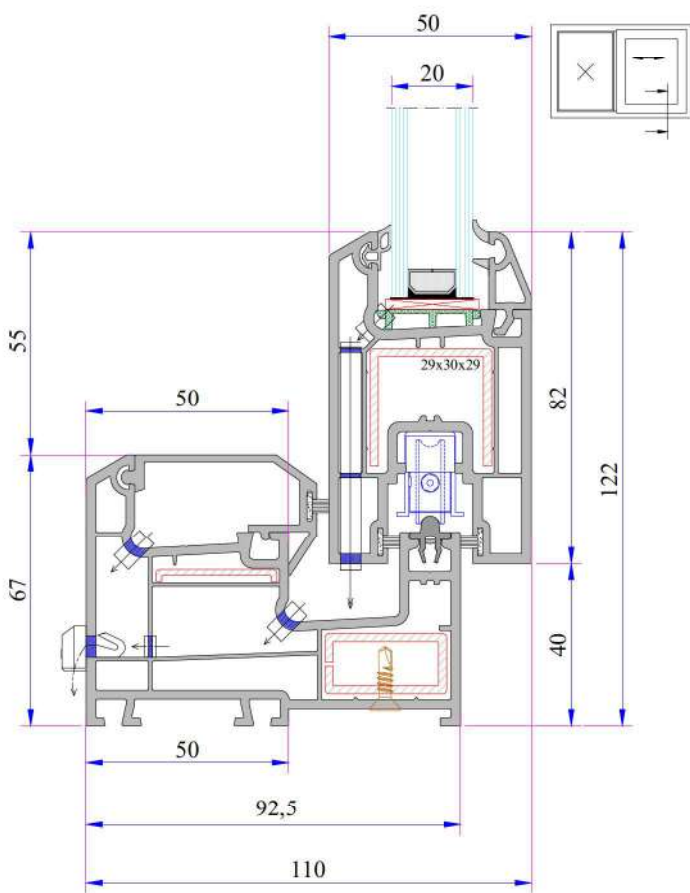
Sliding Frame Static Sash Double Rail Installation



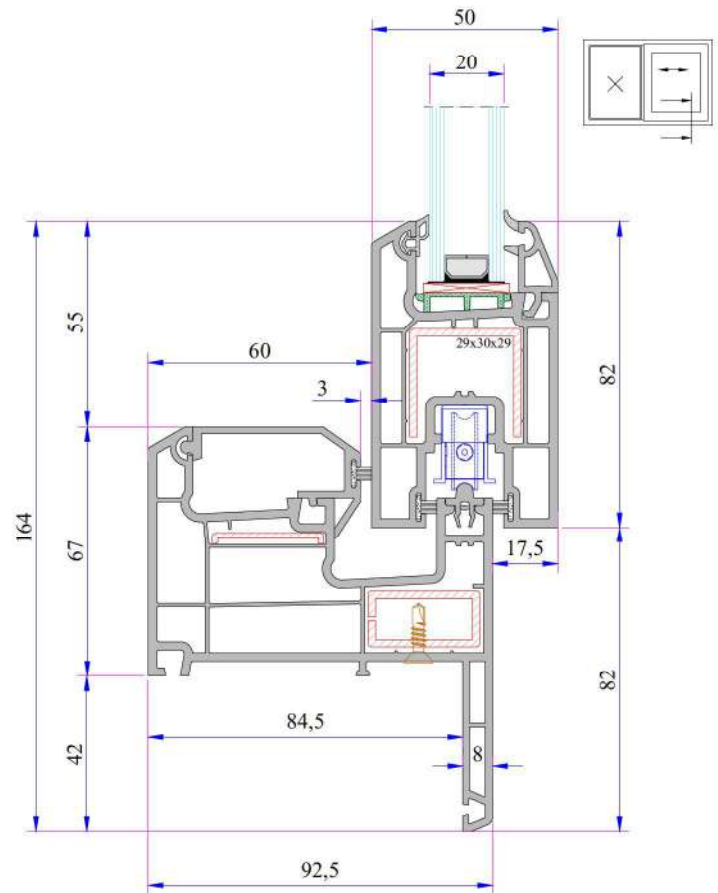
Double Sliding Frame with Sill - Sash Installation



Double Sliding Frame with Flat Sill - Sash Installation

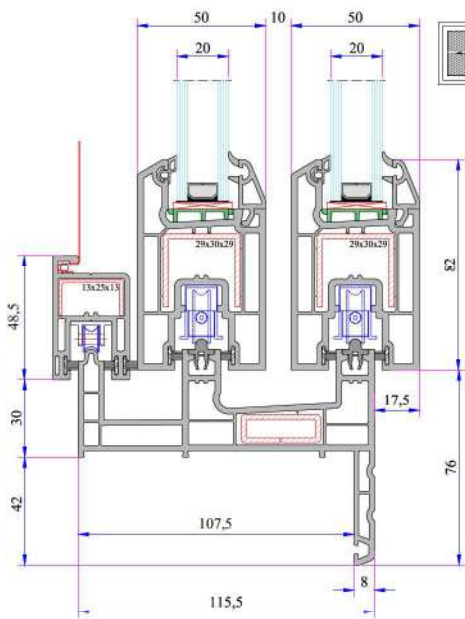


Sliding Frame Sash Single Rail Installation

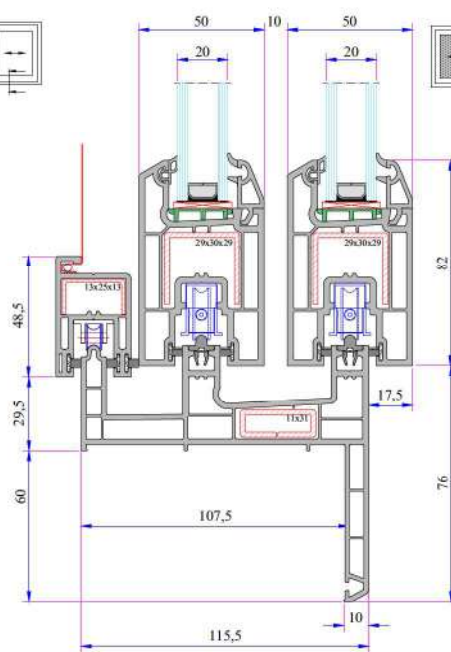


Frame Profile With Sill (Single Rail) Sash Installation

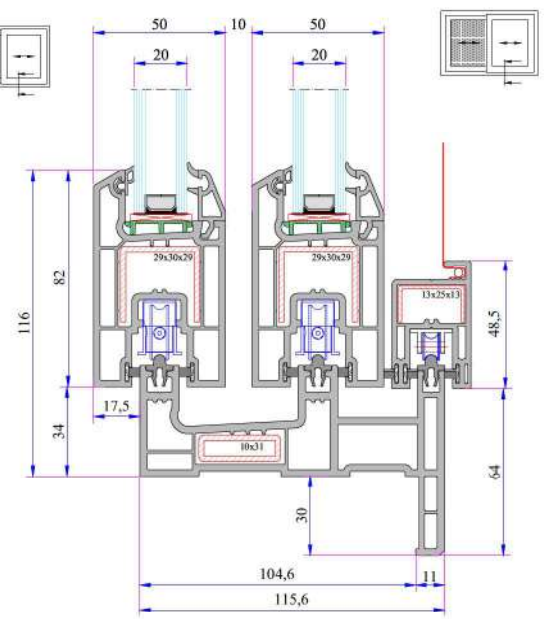
W 232 RAIL SERIES PVC PROFILE SYSTEM



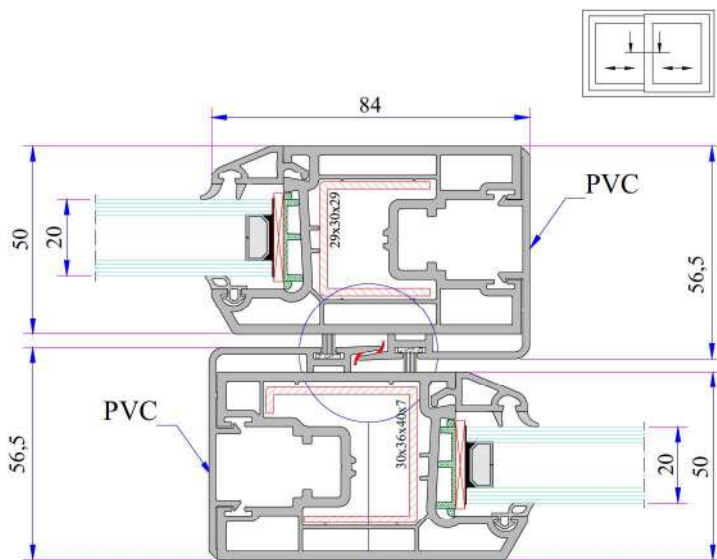
Sliding Frame - Sash - Screen -
Sash Installation



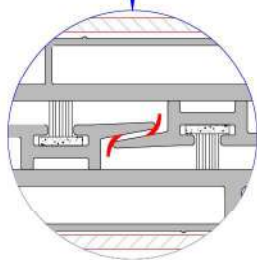
Sliding Frame - Sash - Screen -
Sash Installation



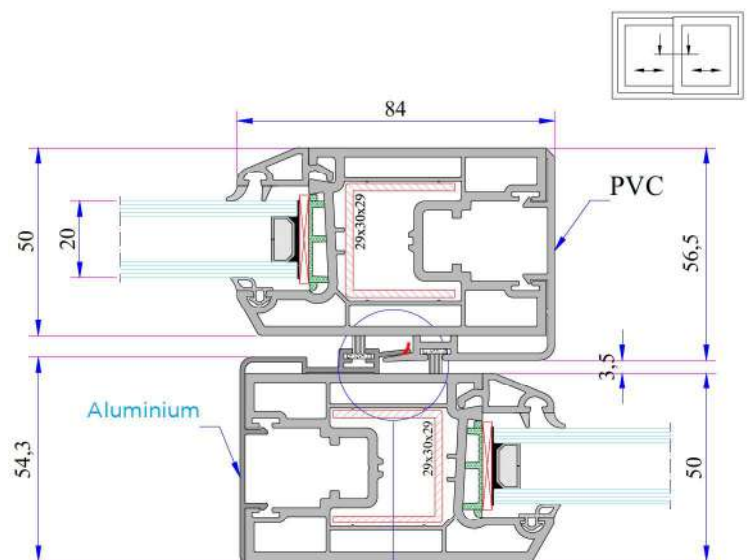
Sliding Frame - Sash - Screen -
Sash Installation



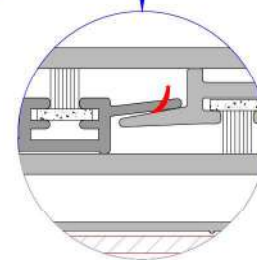
Alternative 1



PVC Sash Cover Profile Installation

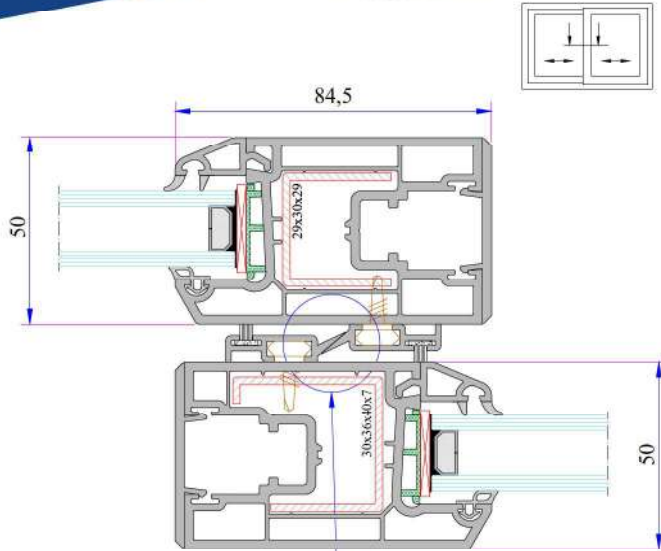


Alternative 2



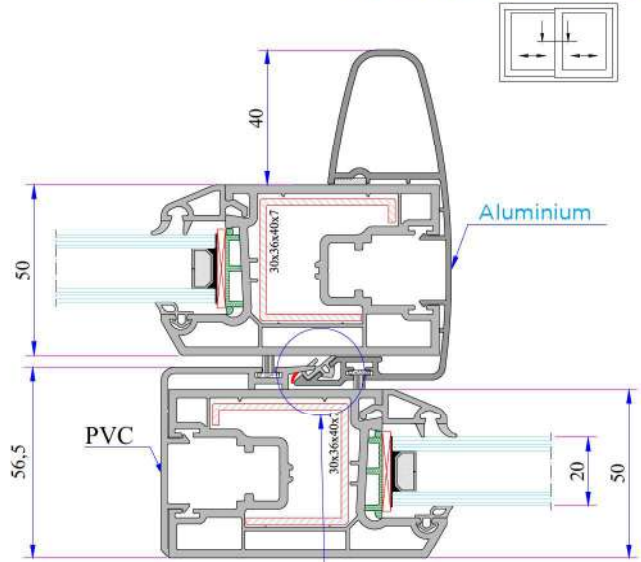
PVC vs Aluminium Sash Installation Detail

W 232 RAIL SERIES PVC PROFILE SYSTEM



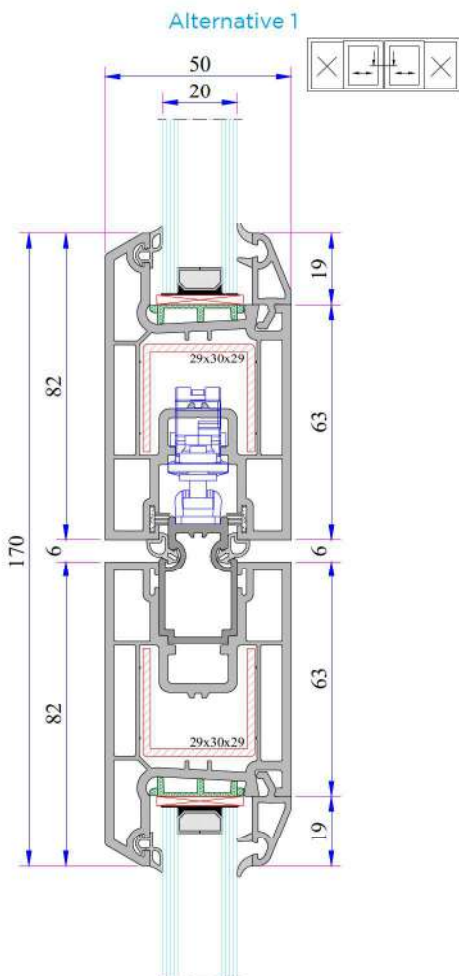
Alternative 3

PVC Sash Cover and Lap Strip Profile Installation



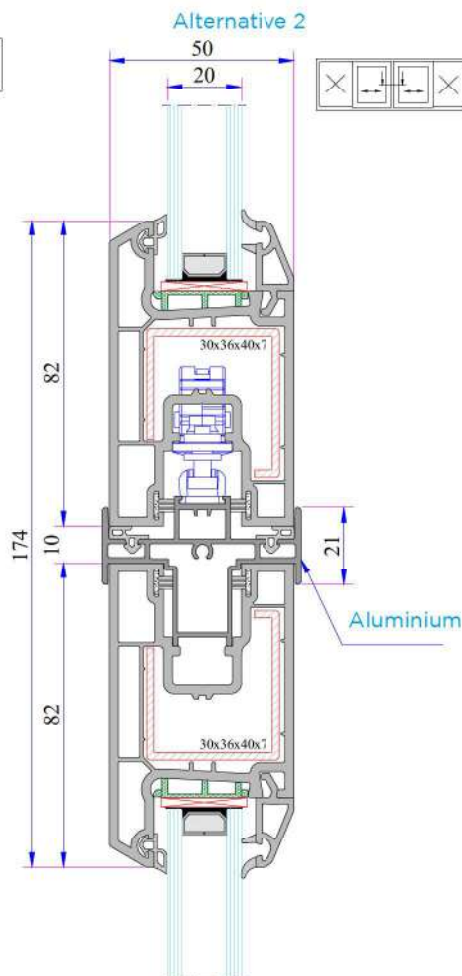
Alternative 4

Alm. Sash Cover Grillage Profile Installation



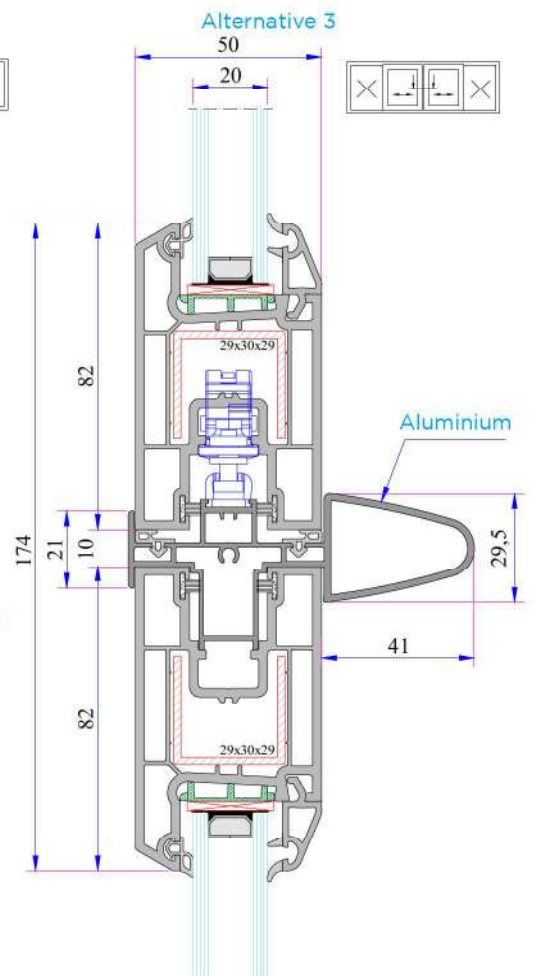
Alternative 1

Alum. Double Rail Adaptor Installation
Four Sash Middle Profile)



Alternative 2

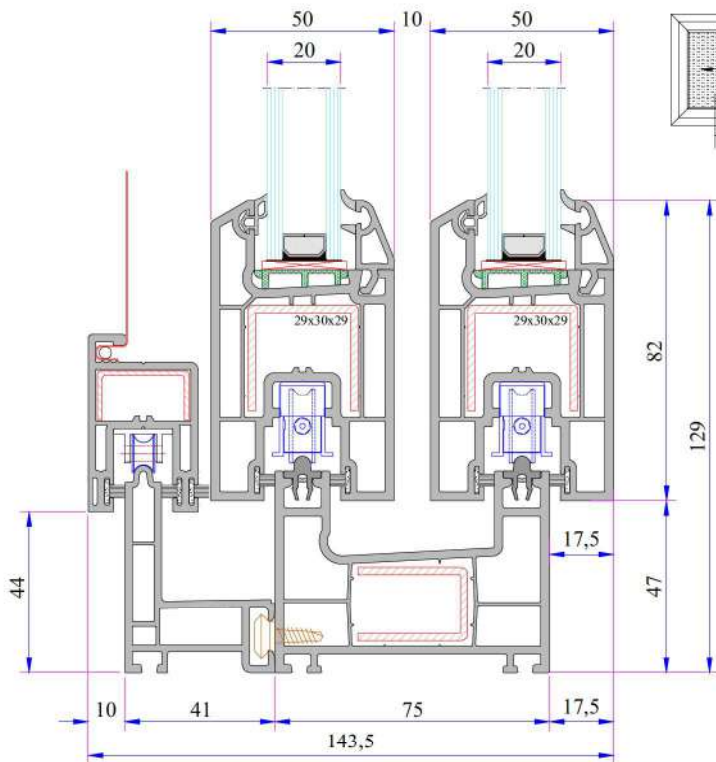
With Alum. Lug Double Sash Middle
Adaptor Installation (Four Sash Middle
Profile)



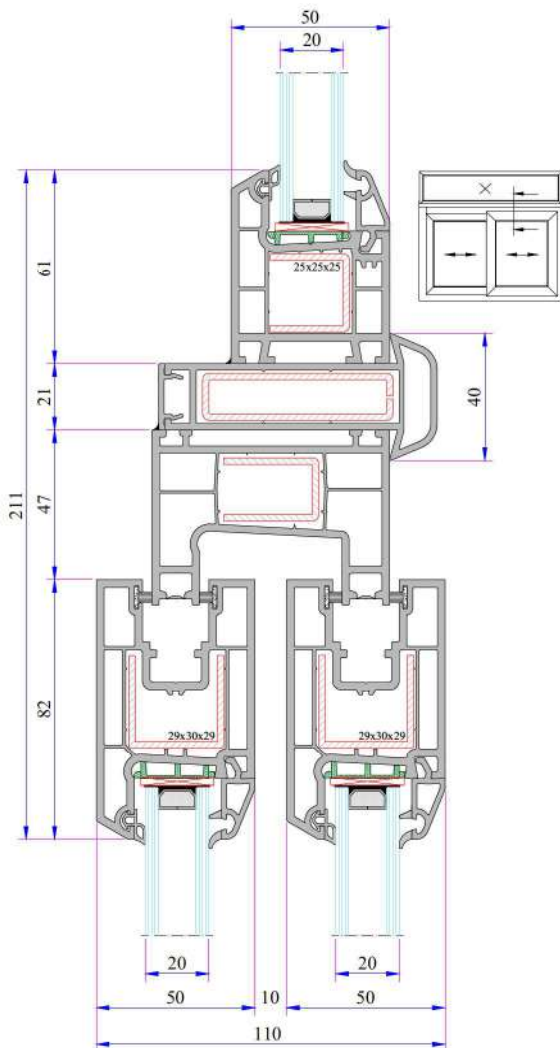
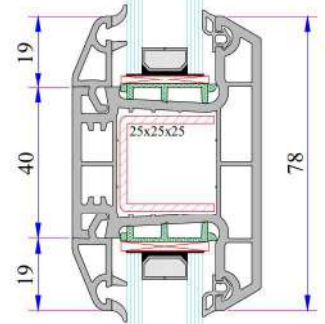
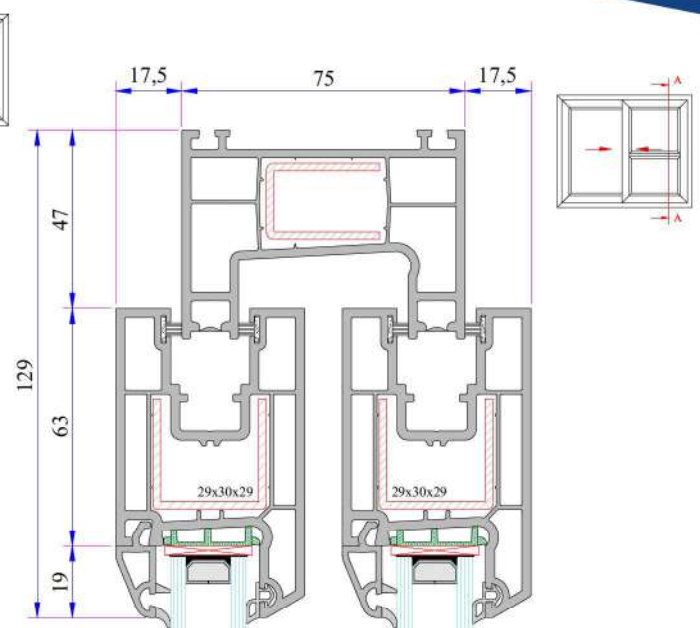
Alternative 3

With Alum. Grillage Double Sash Middle
Adaptor Installation (Four Sash Middle
Profile)

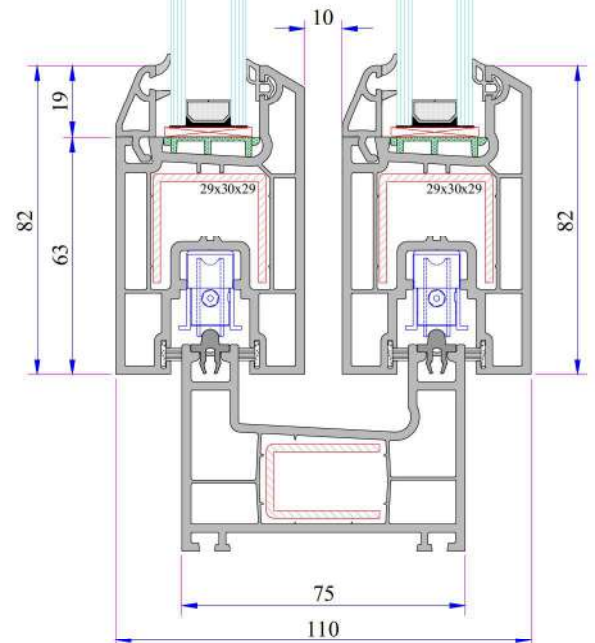
W 232 RAIL SERIES PVC PROFILE SYSTEM



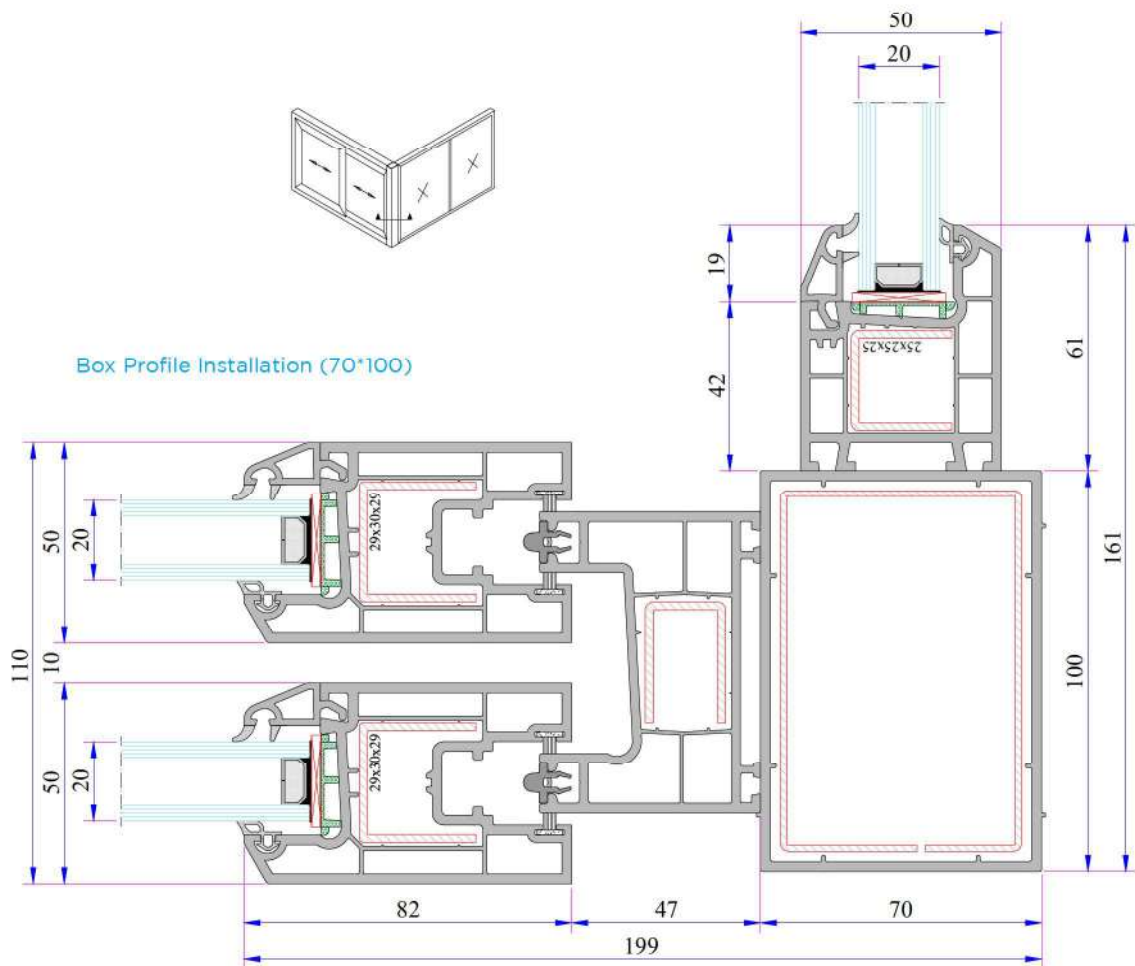
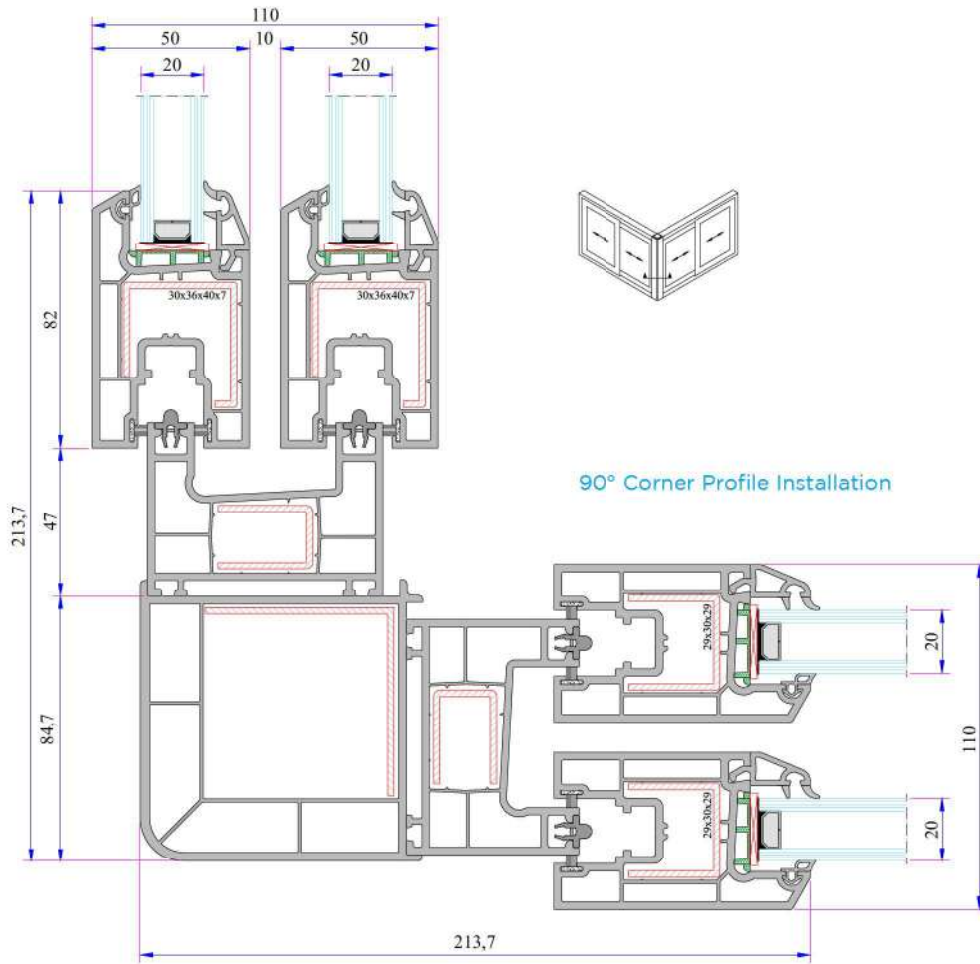
Double Railed Sliding Sash - Sliding Sash -
Screen Profile Installation



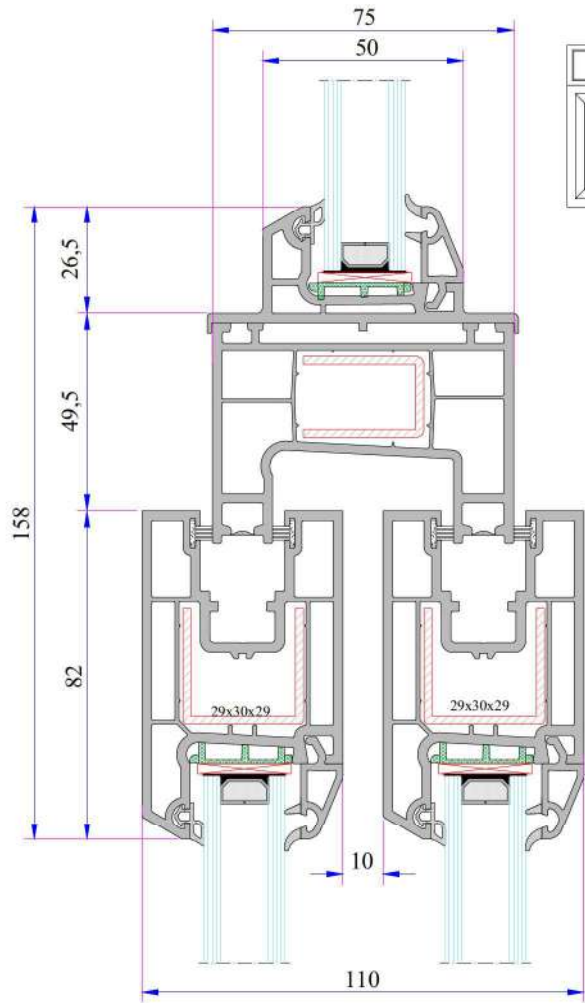
Universal Large Coupling Profile Installation



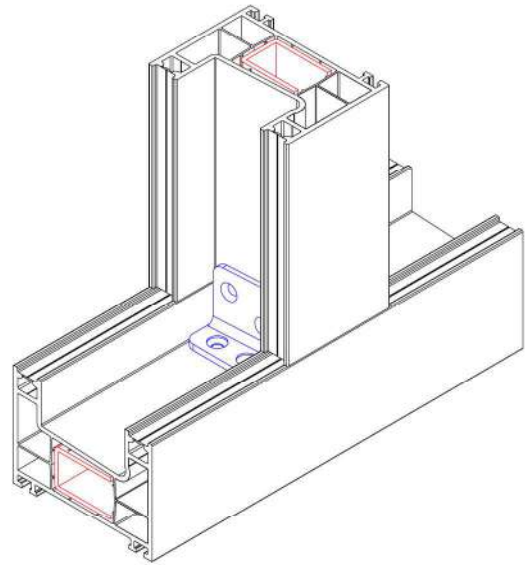
Mullion Profile Installation



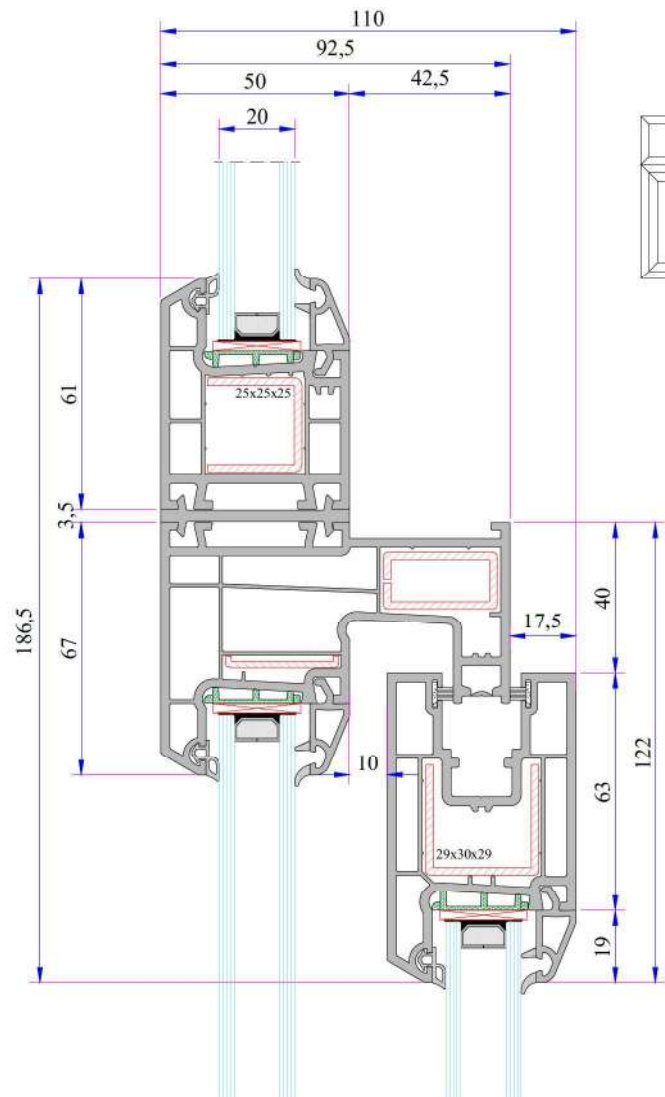
**W 232 RAIL SERIES
PVC PROFILE SYSTEM**

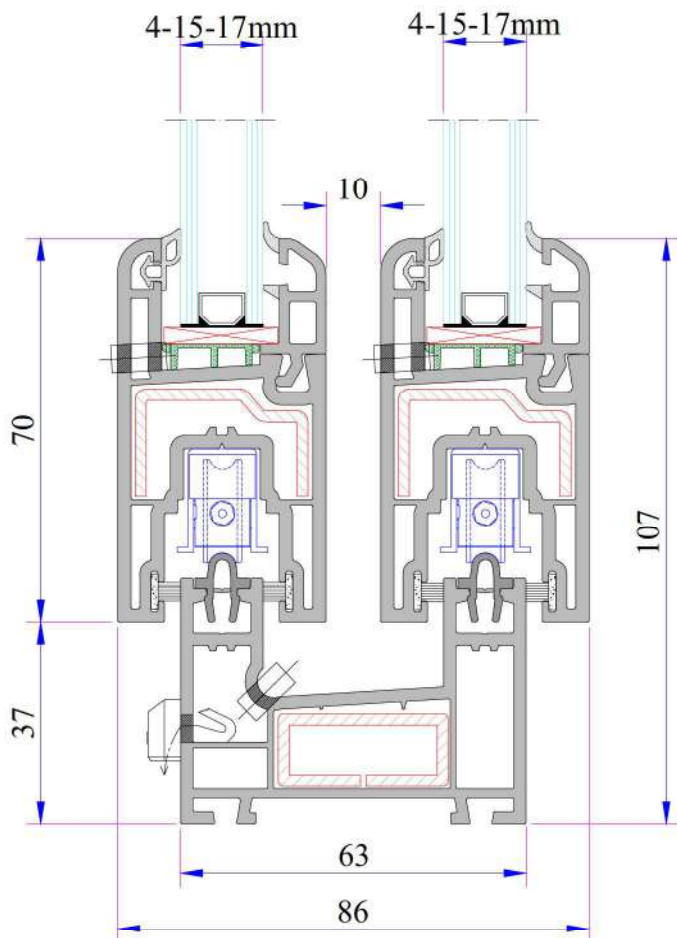


Upper Fixed Lower Part Double Railed Sliding Installation



Upper Fixed Lower Part Single Railed Sliding Installation





TECHNICAL

W 222 RAIL SERIES

Profile Width: 63 mm double rail frame, 111 mm triple rail frame and 38 mm sliding system sash profile.

Number of chambers: 3

Profile Class: B Class (TS EN 12608-1)

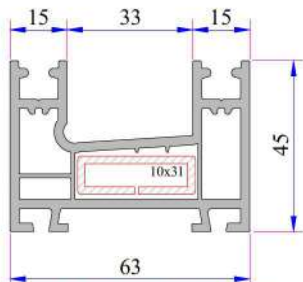
Seal Type: The installed bristle wick system

Glass Thickness (mm): 4-6, 15, 17 mm

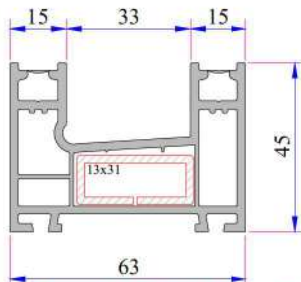
INSTRUCTION

- 63 mm double rail, 111 mm triple rail, 38 mm sliding sash profile.
- Perfect thermal, sound and water isolation because of the 3 chambers system.
- Application of single glaze 4-6 mm and installation glass 15, 17 mm by grey sealed glazing beads in different thickness.
- Application with roller shutter and without roller shutter.
- Wooden designed laminated applications.

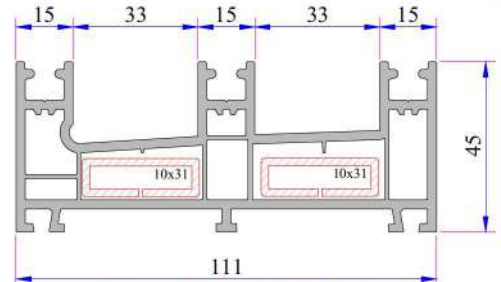
W 222 RAIL SERIES PVC PROFILE SYSTEM



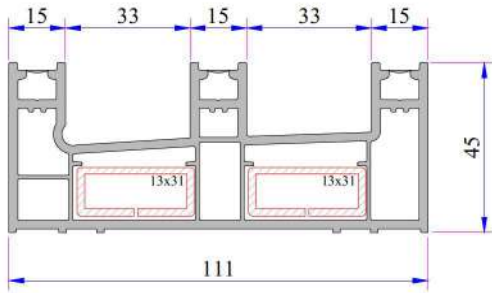
Frame Profile (Double Rail)
Code: P.A.222.1100.600.0.00.03



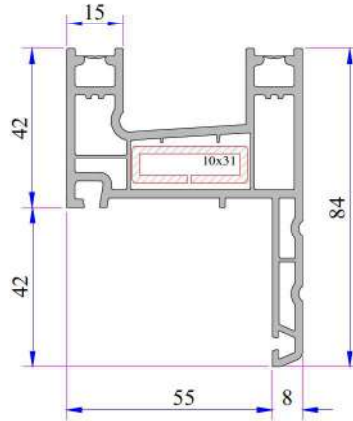
New Frame Profile (Double Rail)
Code: P.A.222.1111.600.0.00.03



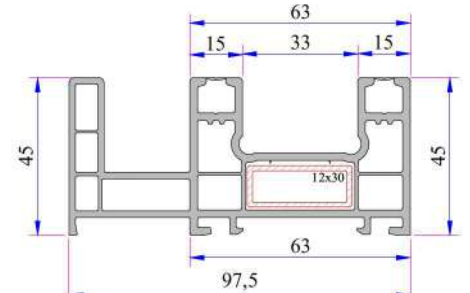
Frame Profile (Triple Rail)
Code: P.A.222.1103.600.0.00.03



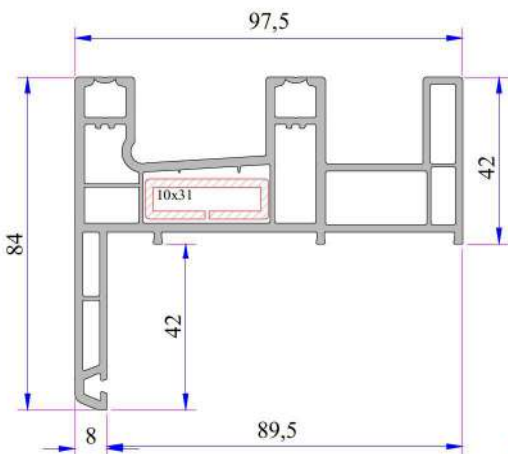
New Frame Profile (Triple Rail)
Code: P.A.222.1112.600.0.00.03



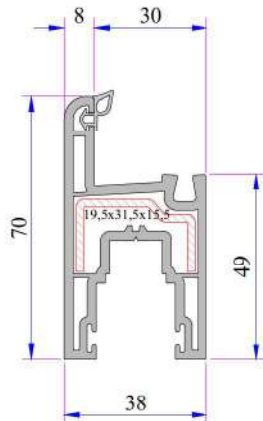
Frame With Flat-Sill Profile
Code: P.A.222.1107.600.0.00.03



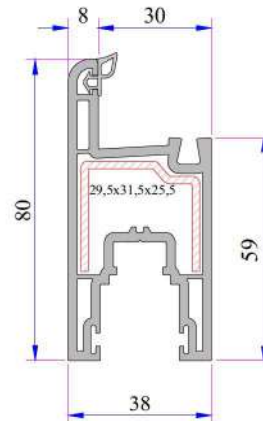
Frame With Fly-Screen
Code: ???



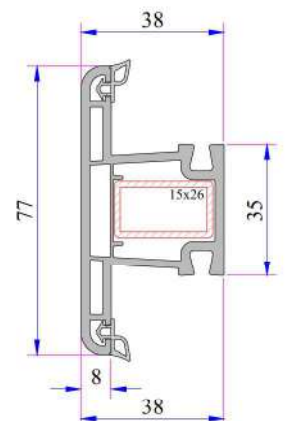
Frame With Fly-Screen&Sill
Code: P.A.222.1109.600.0.00.03



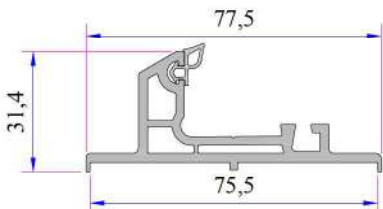
Sliding System Sash Profile
Code: P.A.222.2300.600.0.BC.03



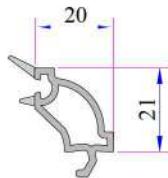
Super Sliding System Sash Profile
Code: P.A.222.2304.600.0.BC.03



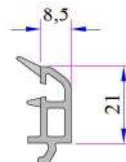
Mullion Profile for Sash Profile
Code: P.A.222.3201.600.0.BC.03



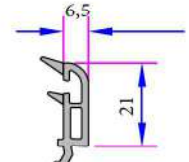
Double Rail Adaptor Profile
Code: P.A.232.5800.600.0.BC.19



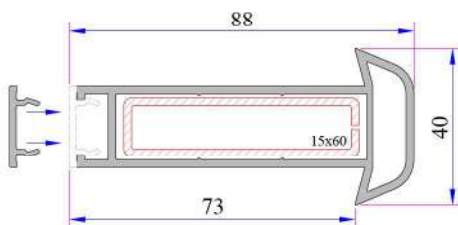
Single Glazing Bead 4-6 mm
Code: P.A.101.4102.600.0.HC



Double Glazing Bead 15 mm
Code: P.A.532.4400.600.0.HC



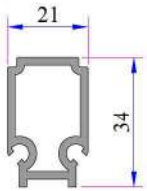
Double Glazing Bead 17 mm
Code: P.A.532.4500.600.0.HC



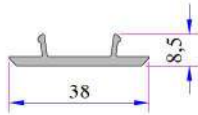
Universal Large Coupling Profile
Code: P.A.058.5000.600.0.19



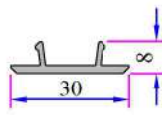
Universal Large Coupling Cover Profile
Code: P.A.900.5705.600



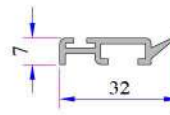
Alm. Double Sash Adaptor Profile
Code: AD16-011



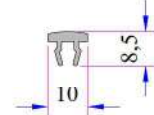
Screen Sash Cover Profile
Code: P.A.222.5704.600



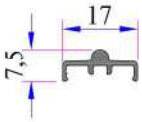
Screen Sash Cover Profile
Code: P.A.242.5701.600



Lap Strip Profile
Code: P.A.232.5801.600



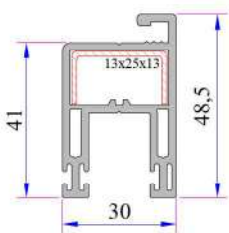
Frame Channel Cover Profile
Code: P.A.232.5703.600



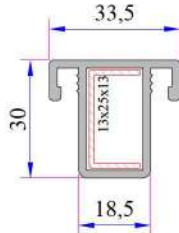
Alm. Sliding Rail Profile
Code: ???



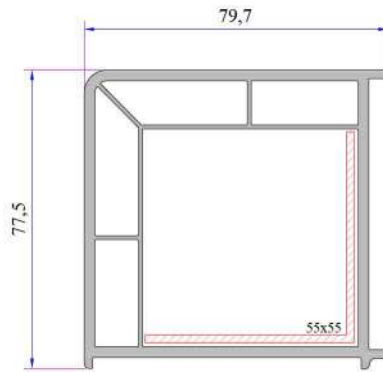
Alm. Sliding Rail Profile
Code: AD16-014



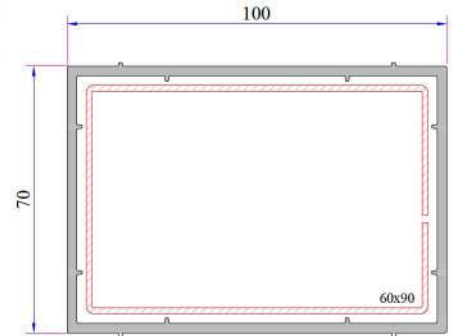
Sliding System Sash Profile
Code: P.A.242.2305.600.0.00.03



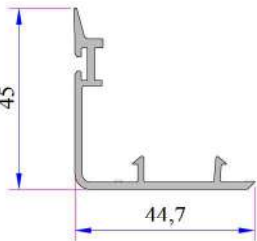
Screen Mullion Profile
Code: P.A.242.3200.600.0.00.03



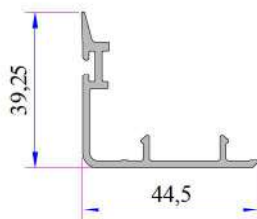
Corner Profile (90°)
Code: P.A.070.5100.600.0.00.19



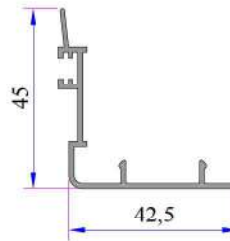
Box Profile (70°100)
Code: P.A.070.5202.600.0.00.19



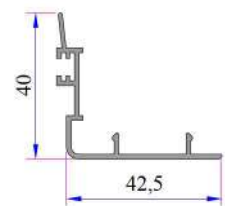
PVC Super Sash Cover Profile
Code: P.A.222.5700.600.0.00.19



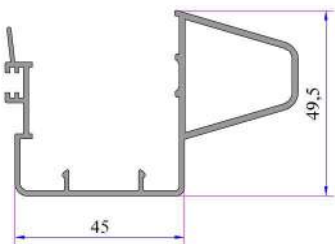
PVC Sash Cover Profile
Code: P.A.222.5708.600.0.00.19



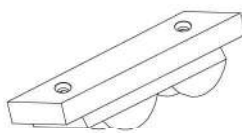
Alm. Sash Cover Profile
Code: AD16-032



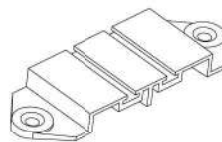
Alm. Super Sash Cover Profile
Code: AD16-031



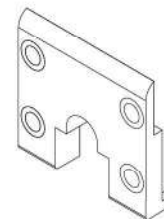
Alm. Sash Cover Grillage Profile (In Process)



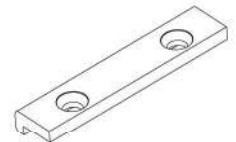
Sliding Roller Brass
Code: 34009-18030



Sealing Bit Double Rail
Code: 34009-27010



Sliding Sash End Bit
Code: 34009-47010

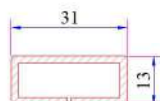


Upper Bedding Piece for Sliding Rail
Code: 34009-37010

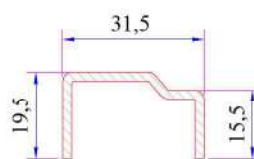
W 222 Re-Inforcement Profiles



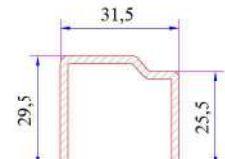
Triple Rail Frame - Frame With Flat-Sill Profile - Frame With Fly-Screen&Sill Profile Reinforcement
Code: 34022-12107



New Frame Profile (Double Rail)-New Frame Profile (Triple Rail) Profile Reinforcement
Code: 34022-12126

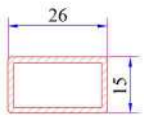


Sliding System Sash Profile Reinforcement
Code: 34022-15026

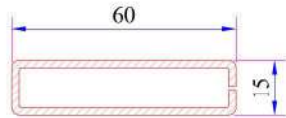


Super Sliding System Sash Profile Reinforcement
Code: 34022-15027

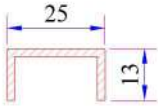
W 222 RAIL SERIES PVC PROFILE SYSTEM



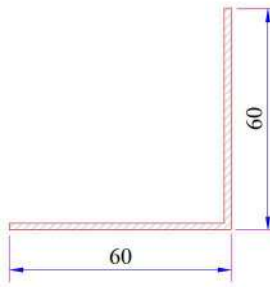
Mullion Profile for Sash
Code: 34022-12127



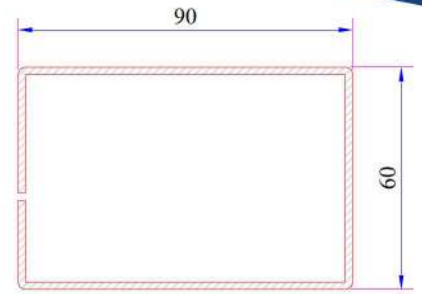
Universal Large Coupling Profile
Code: 34022-12123



Sliding System Sash-Mullion Profile
Reinforcement
Code: 34022-12008

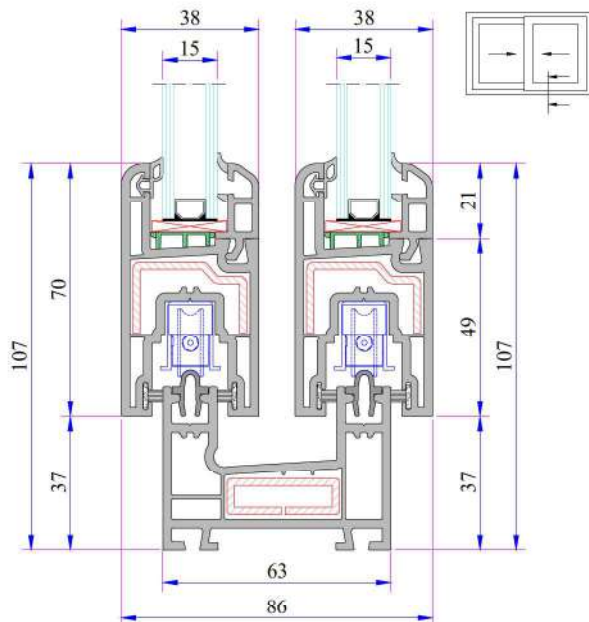


90° Corner Profile
Reinforcement
Code: 34022-12306

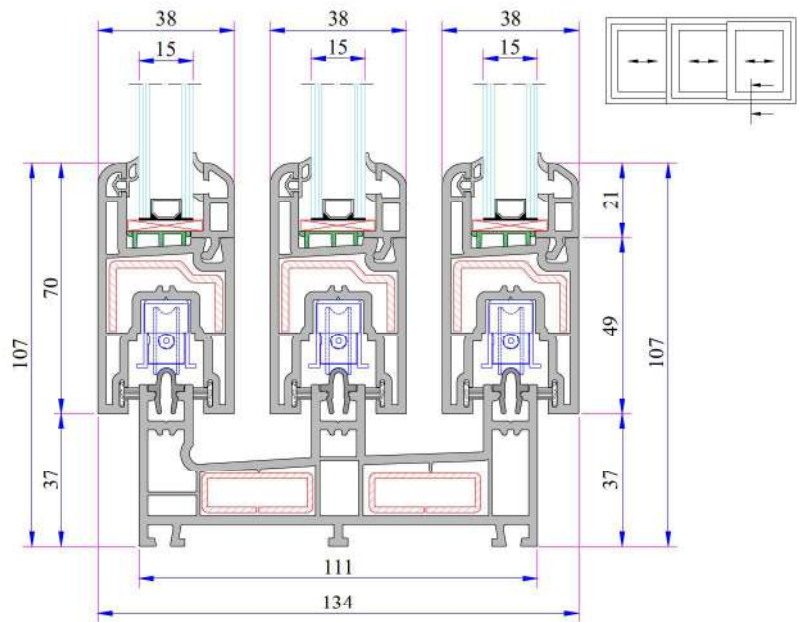


Box Profile Reinforcement
Code: 34022-12121

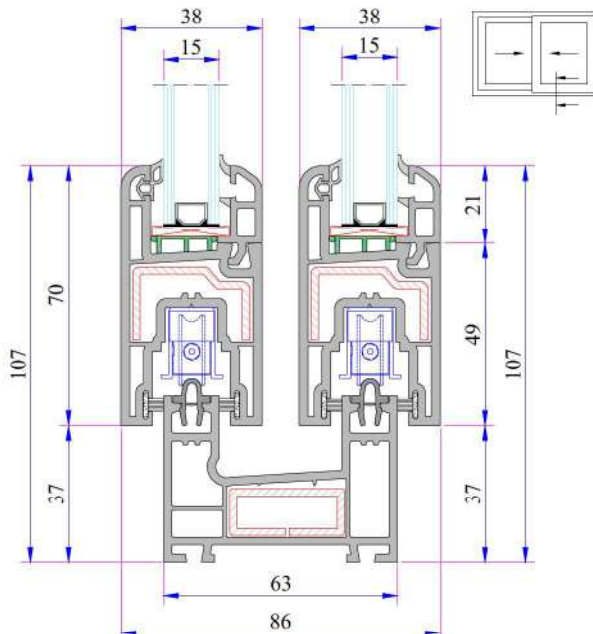
W 222 Installation



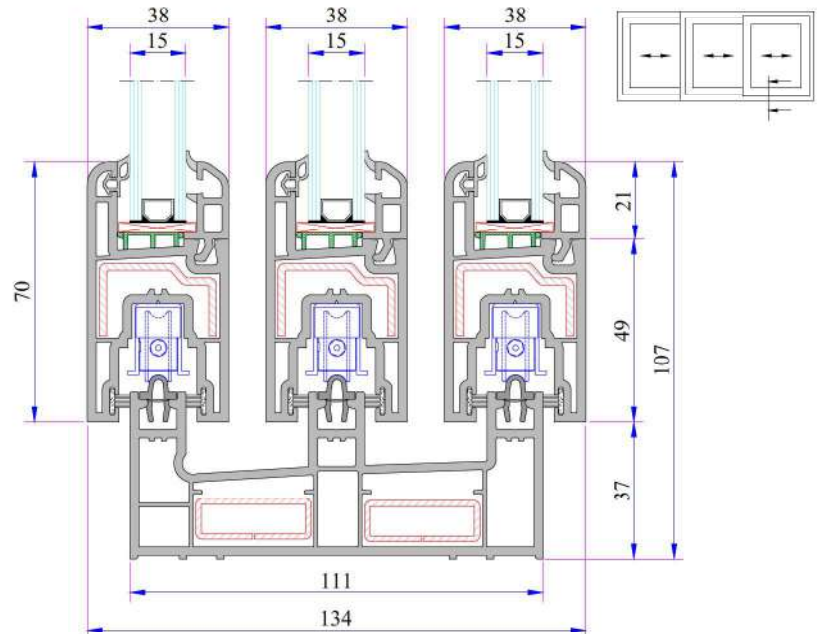
Double Rail Frame - Sliding System
Sash Profile Installation



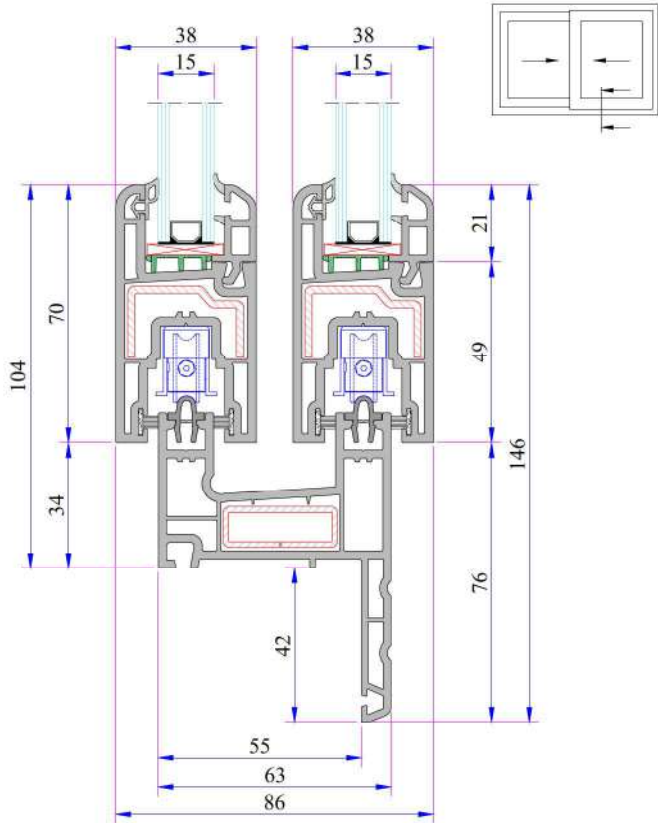
Triple Rail Frame - Sliding System Sash
Profile Installation



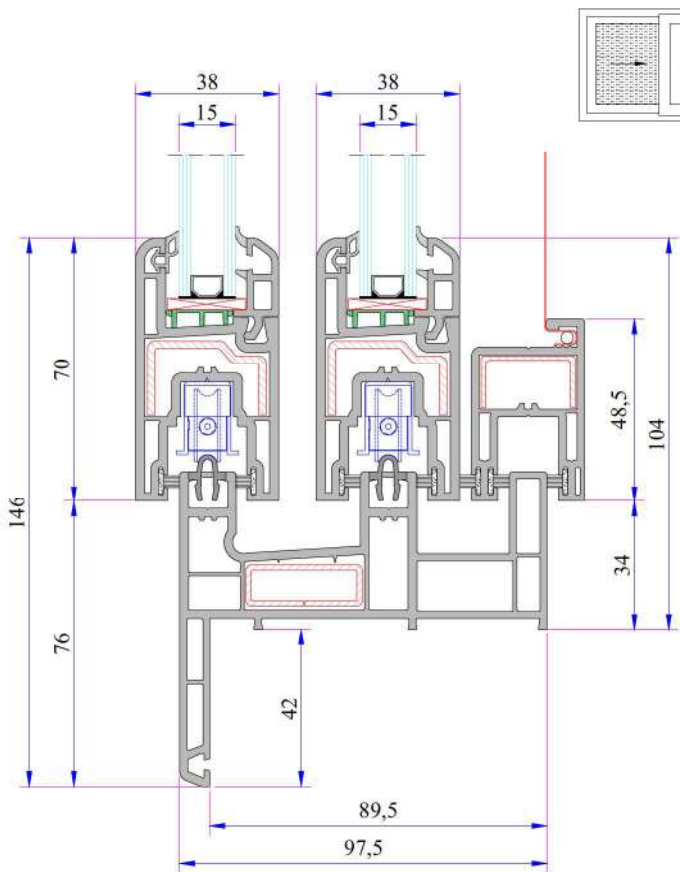
Double Rail Frame(New) - Sliding
System Sash Profile Installation



Triple Rail Frame (New) - Sliding
System Sash Profile Installation

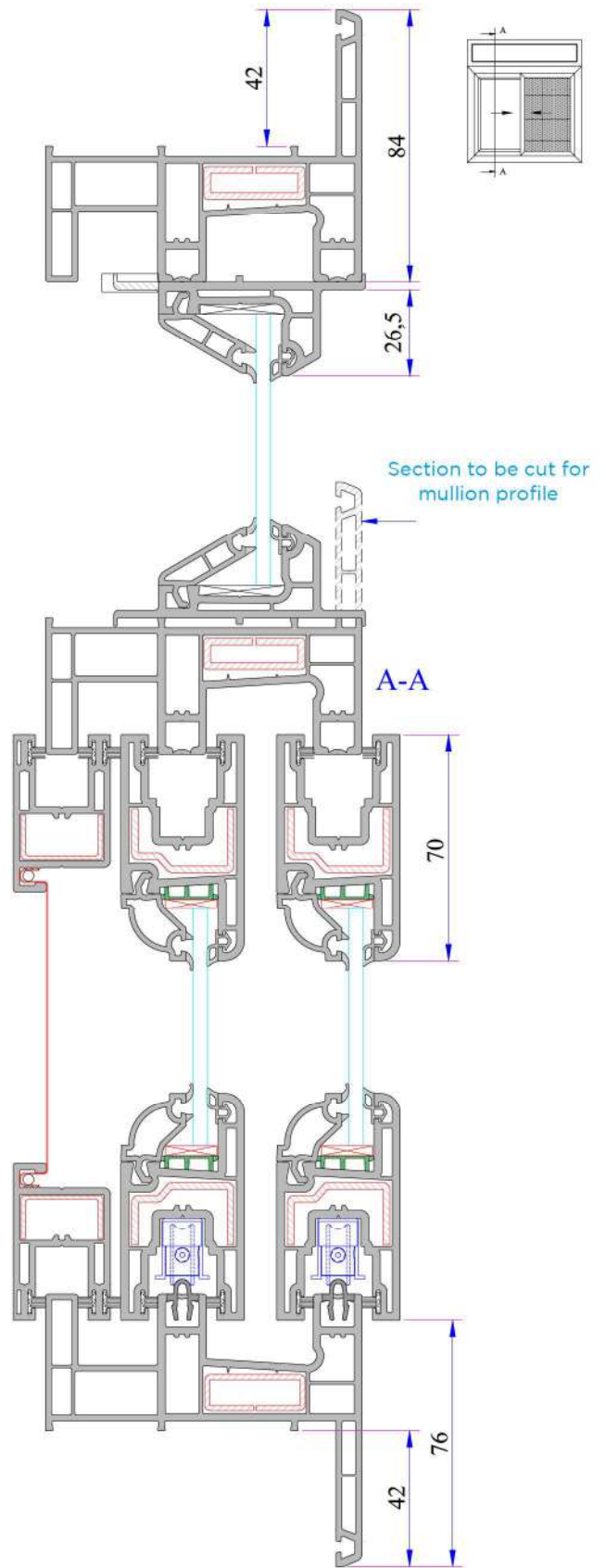


Double Rail Frame with Sill - Sliding System Sash Profile Installation

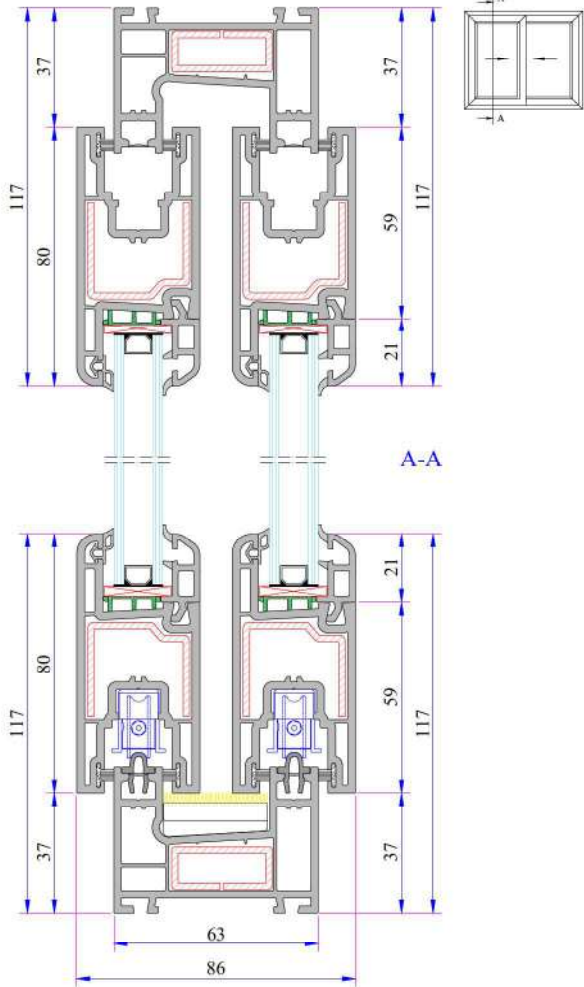


Double Rail Frame With Fly-Screen & Sill - Sliding System Sash Installation

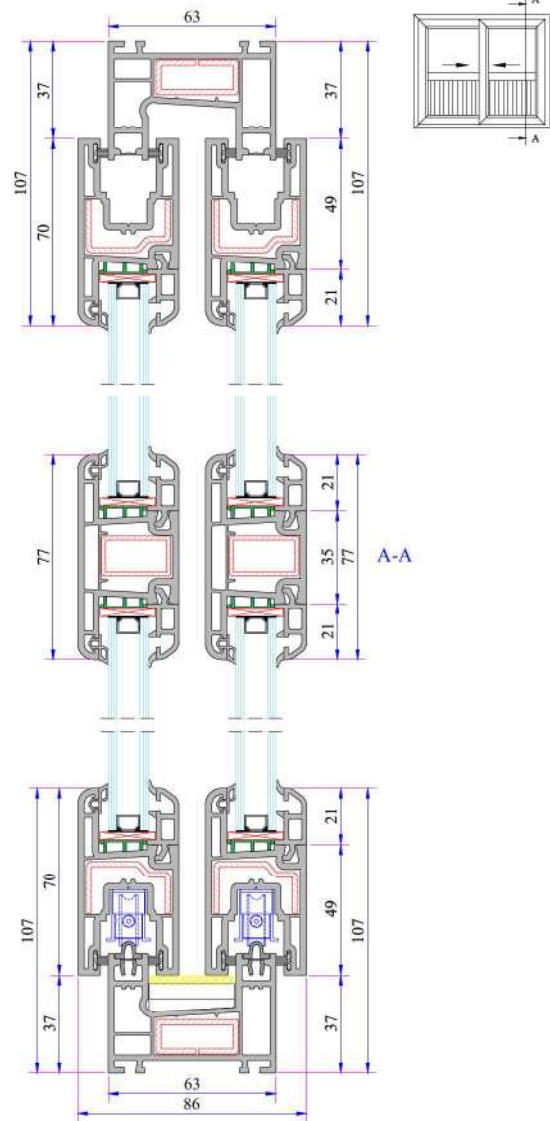
Double Rail Adaptor Profile Installation



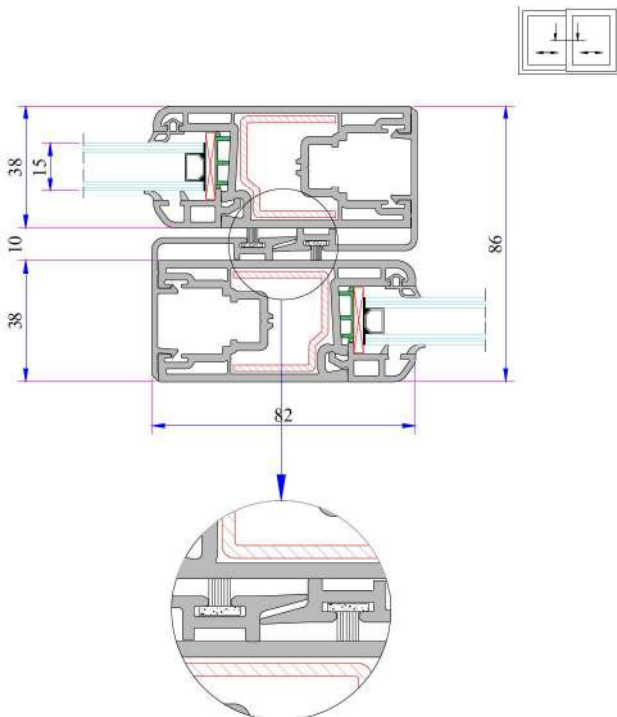
W 222 RAIL SERIES PVC PROFILE SYSTEM



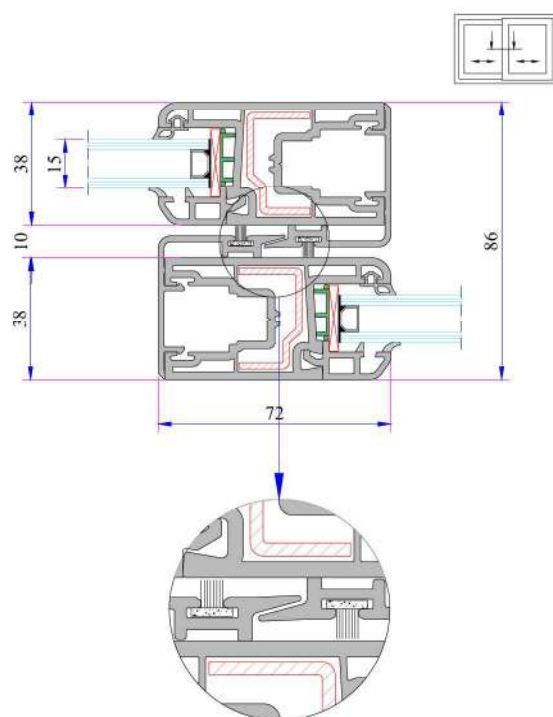
Double Railed Frame and Double Sash Installation



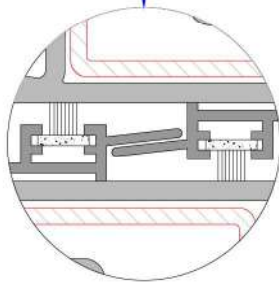
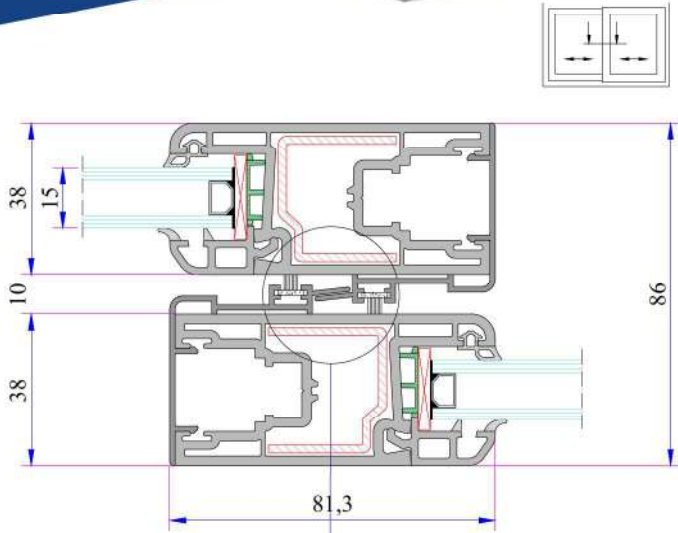
Mullion For Sash Installation



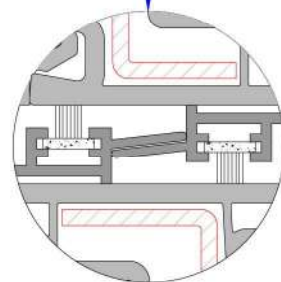
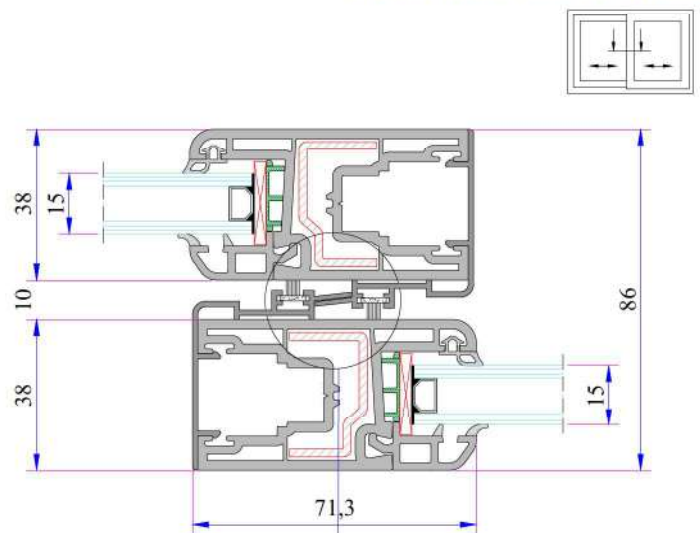
Sliding System Super Sash Back Cover Profile Installation



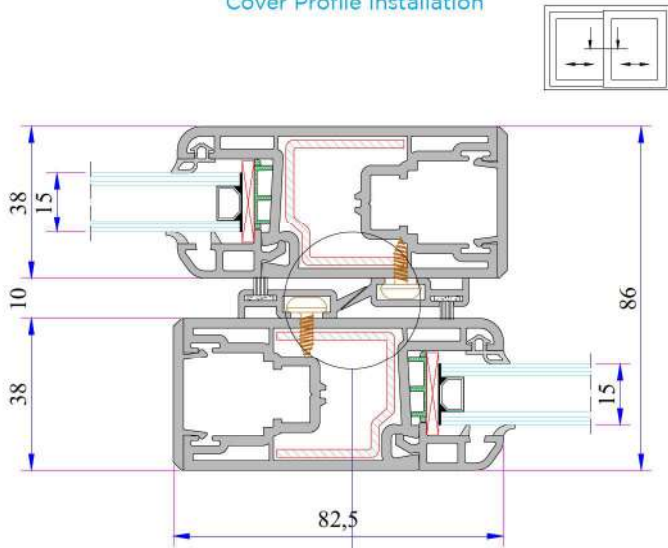
Sliding System Sash Back Cover Profile Installation



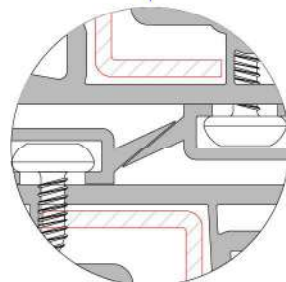
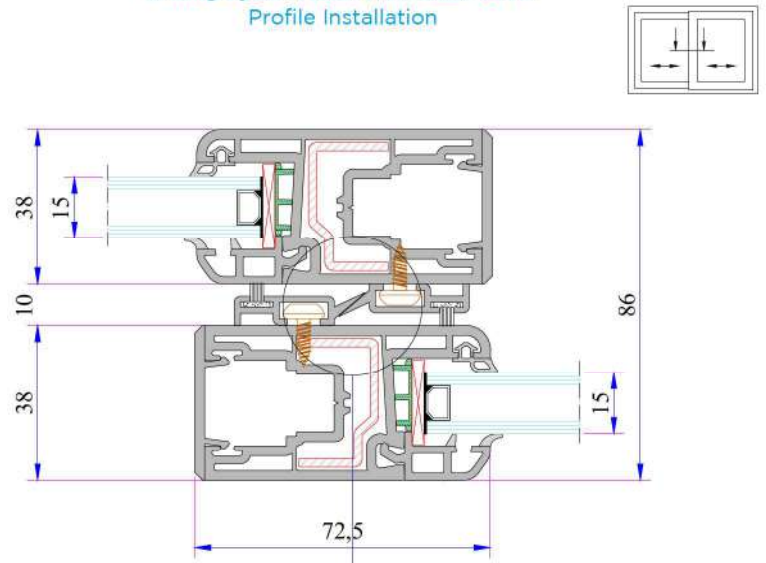
Sliding System Super Sash Alm. Back Cover Profile Installation



Sliding System Sash Alm. Back Cover Profile Installation

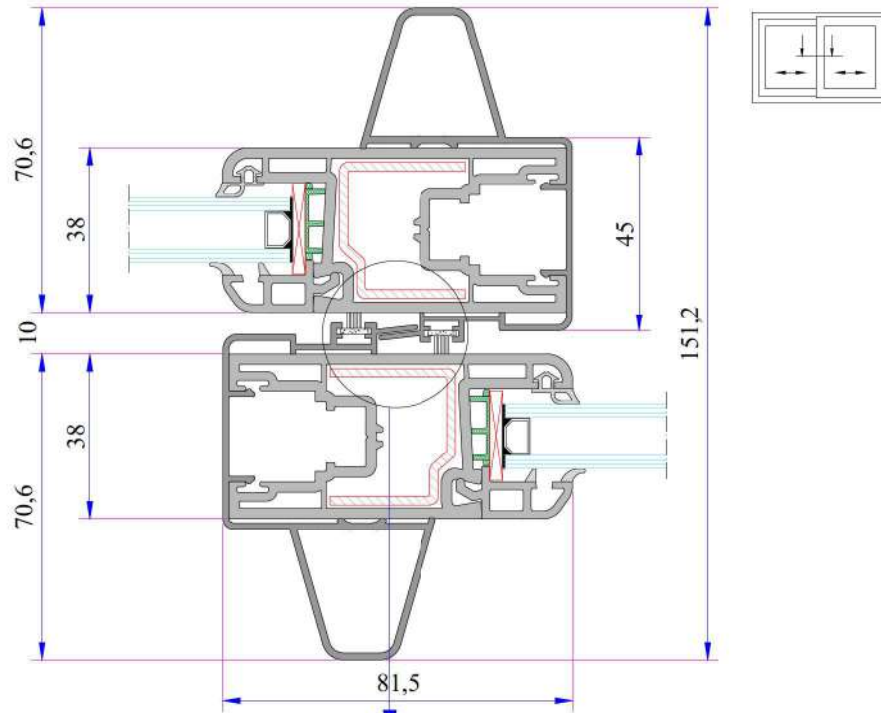


Sliding System Super Sash Lap Strip Profile Installation

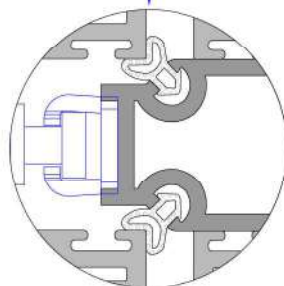
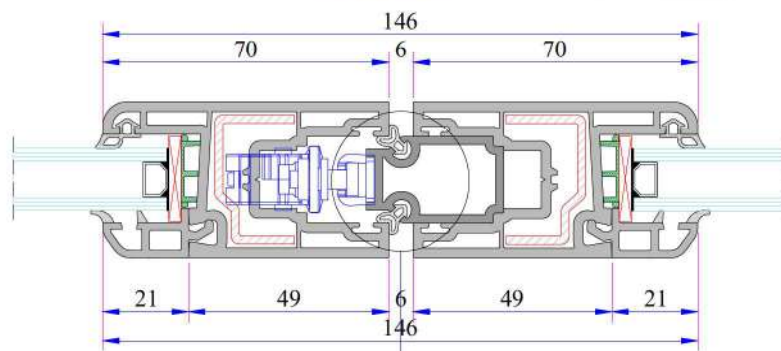


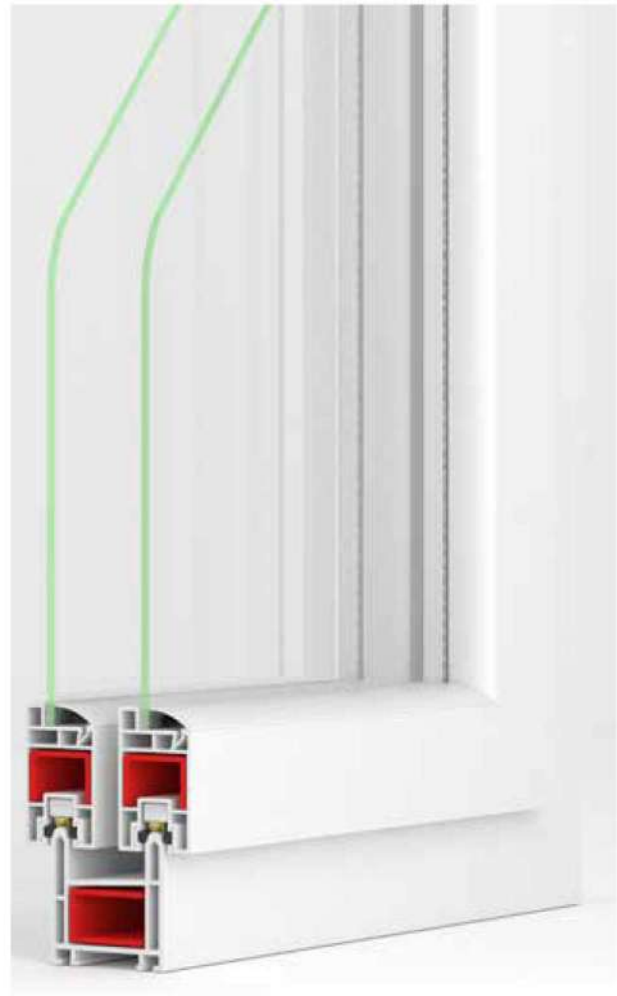
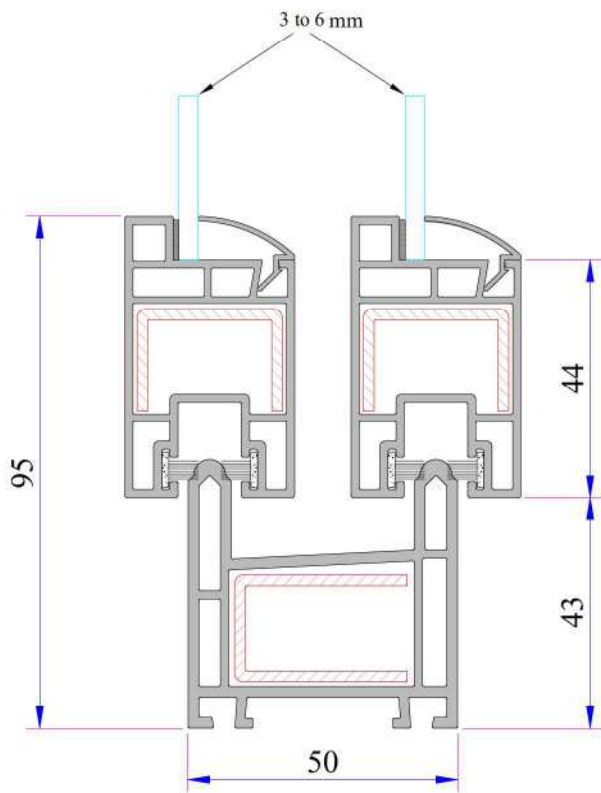
Sliding System Sash Lap Strip Profile Installation

Sliding System Super Sash - Sash
Cover Grillage Profile Installation



Alm. Double Sash Adaptor Profile
Installation





TECHNICAL

W 150 SLIDING SERIES

Profile Width: 50 mm

Number of chambers: 3

Profile Class: C Class

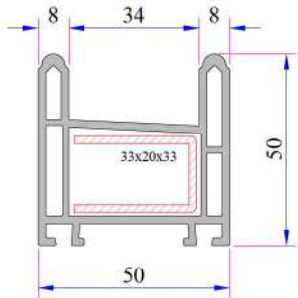
Seal Type: The installed bristle wick system

Glass Thickness (mm): 3 to 6 mm

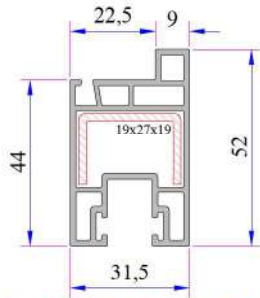
INSTRUCTION

- 50 mm double rail frame and 31,5 mm sliding sash profile.
- Perfect thermal, sound and water isolation Because of the 3 chambers system.
- Single glazing (3 to 6 mm).
- Application with roller shutter and without roller shutter.
- Color range for laminated products.
- It is quality is accredited by national and international certificates.

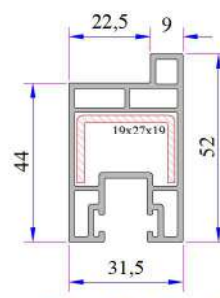
W 150 SLIDING SERIES PVC PROFILE SYSTEM



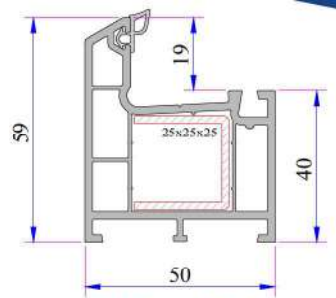
Sliding Frame Profile
Code: P.A.150.1100.600.0.00.03



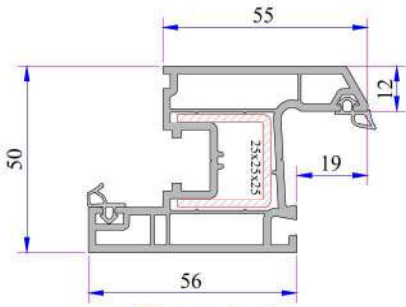
Sliding Sash Profile with Bead Channel
Code: P.A.150.2302.600.0.00.03



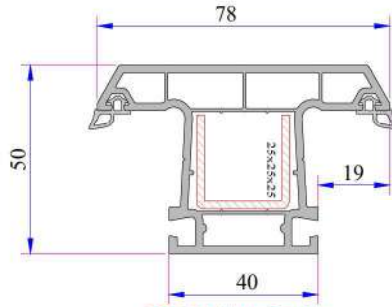
Sliding Sash Profile
Code: P.A.150.2303.600.0.00.03



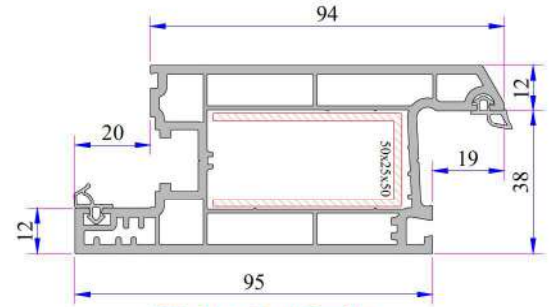
330 Frame Profile
Code: P.A.330.1000.600.0.BC.03



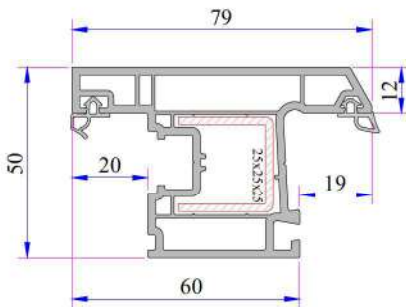
330 Sash Profile
Code: P.A.330.2000.600.0.BC.03



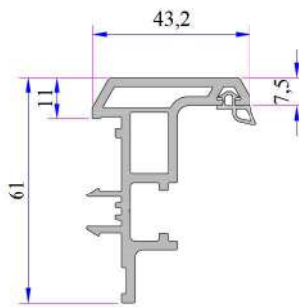
330 Mullion Profile
Code: P.A.330.3000.600.0.BC.03



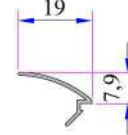
332 Door Sash Profile
Code: P.A.332.2100.600.0.BC.03



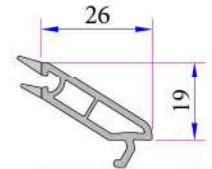
330 Outward Opening Sash Profile
Code: P.A.330.2001.600.0.BC.03



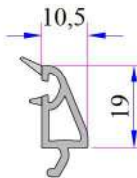
332 Lap Joint Profile
Code: P.A.332.3100.600.0.BC.19



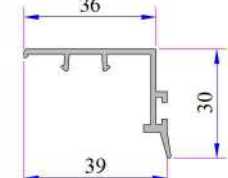
Single Glazing Bead
Code: P.A.150.4701.600



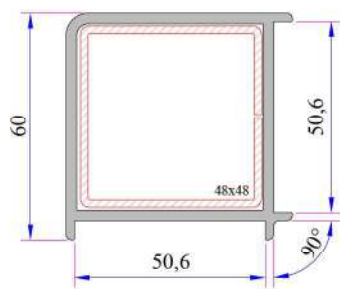
4mm Single Glazing Bead
Code: P.A.332.4000.600.0.HC



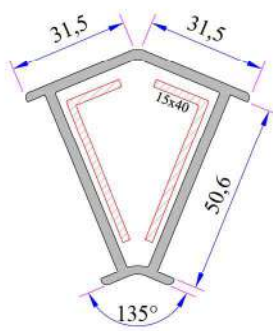
20mm Double Glazing Bead
Code: P.A.332.4100.600.0.HC



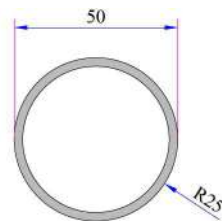
Sash Cover Profile
Code: P.A.150.5700.600.0.00.19



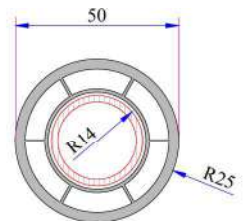
Corner Profile (90°)
Code: P.A.050.5100.600.0.00.19



Corner Profile (135°)
Code: P.A.050.5102.600.0.00.19



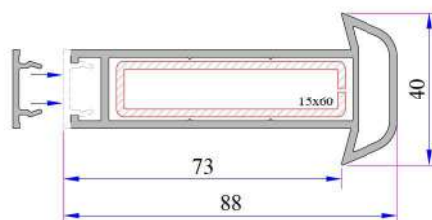
Angled Pipe Profile (Ø50)
Code: P.A.050.5105.600



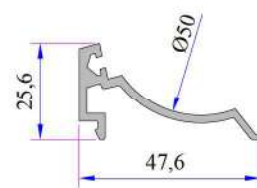
Angled Pipe Profile (Ø50)
Code: P.A.050.5106.600



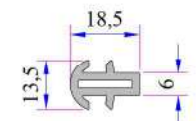
Universal Large Coupling Cover Profile
Code: P.A.058.5707.600.0.00.19



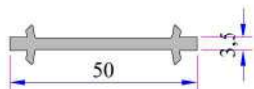
Universal Large Coupling Profile
Code: P.A.058.5000.600.0.19



Alm. Angled Pipe Adaptor Profile (In Process)

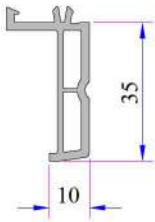


Short Coupling Profile
Code: P.A.099.5003.600

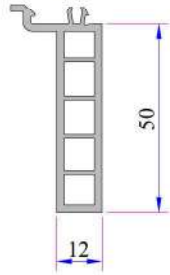


Coupling Profile
Code: P.A.050.5001.600

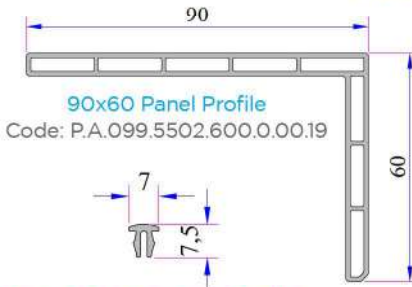
W I50 SLIDING SERIES PVC PROFILE SYSTEM



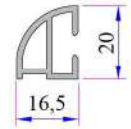
35mm Frame Sill Profile
Code: P.A.099.5523.600



50mm Frame Sill Profile
Code: P.A.099.5524.600

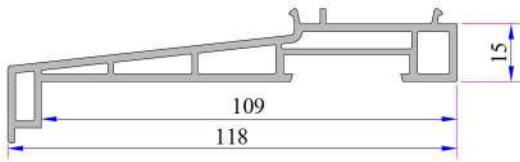


90x60 Panel Profile
Code: P.A.099.5502.600.0.00.19

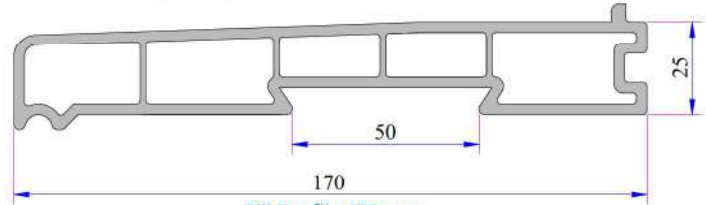


Offset Profile
Code: P.A.900.6307.600

Frame Channel Cover Profile
Code: P.A.099.5703.600
(White)

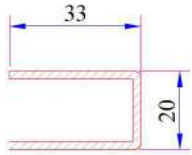


Sill Profile
Code: P.A.058.5504.600.0.00.19

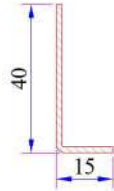


Sill Profile 170mm
Code: P.A.099.5513.600.0.00.19

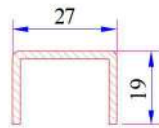
W I50 Sliding Re-Inforcement Profiles



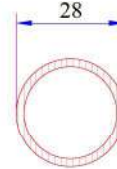
Sliding Frame Profile Reinforcement
Code: 34022-12019



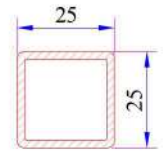
Corner Profile (135°)
Code: 34022-12301



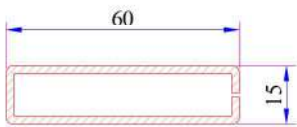
Sliding Sash Profile Reinforcement
Code: 34022-12028



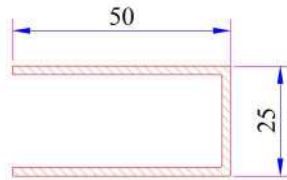
Angled Pipe Profile Reinforcement
Code: 34022-12503



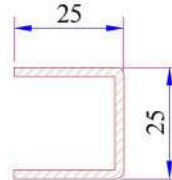
Frame, Mullion Profile Static Reinforcement
Code: 34022-12122



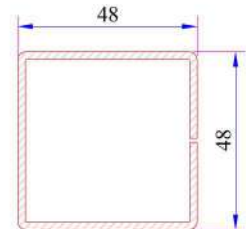
Universal Large Coupling Profile Reinforcement
Code: 34022-12123



Door Sash Profile Reinforcement
Code: 34022-12012

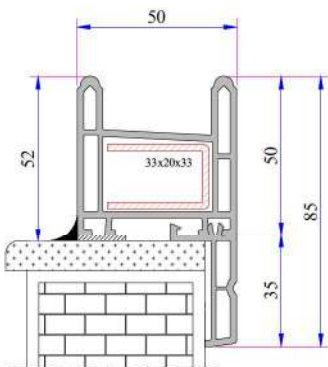


330 Frame, Sash, Mullion, Outward Opening Sash Profile Reinforcement
Code: 34022-12003

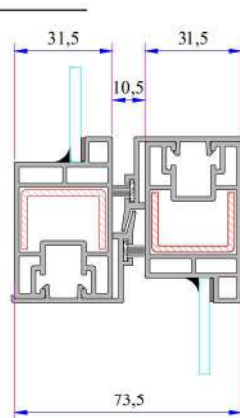


Corner Profile (90°)
Code: 34022-12101

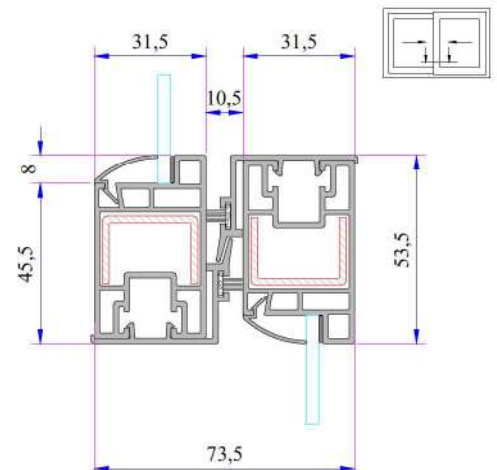
W I50 Sliding Installation



35mm Frame Sill Profile Installation

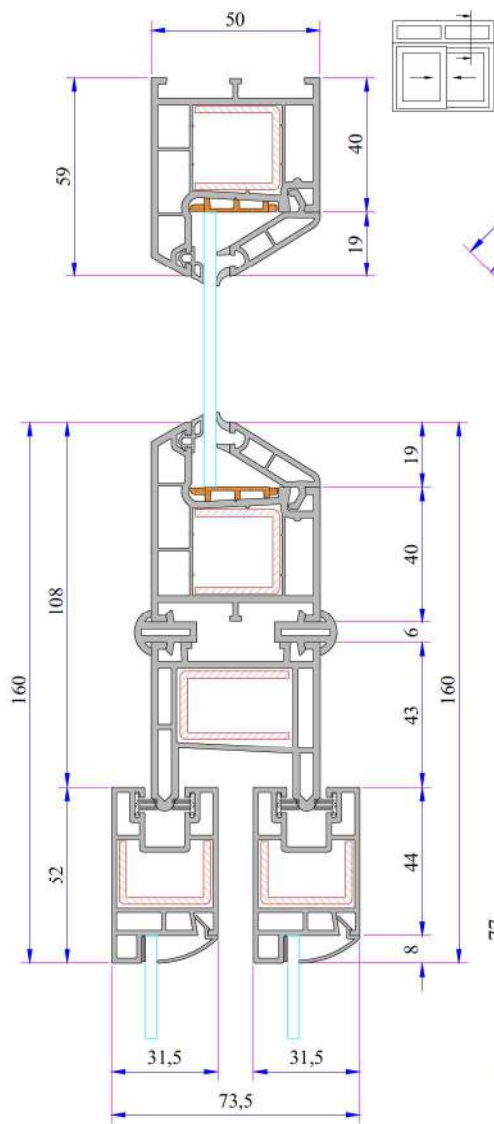


Sliding Sash - Sash Cover Profile Installation

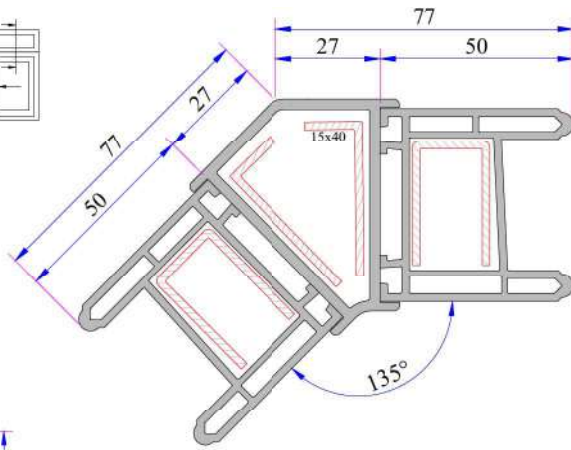


Sliding Sash - Sash Cover Profile Installation

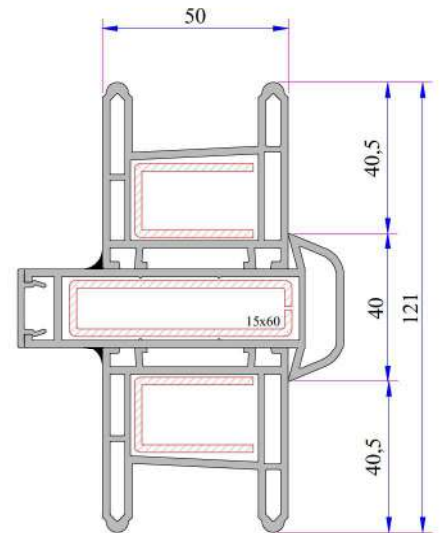
W 150 SLIDING SERIES PVC PROFILE SYSTEM



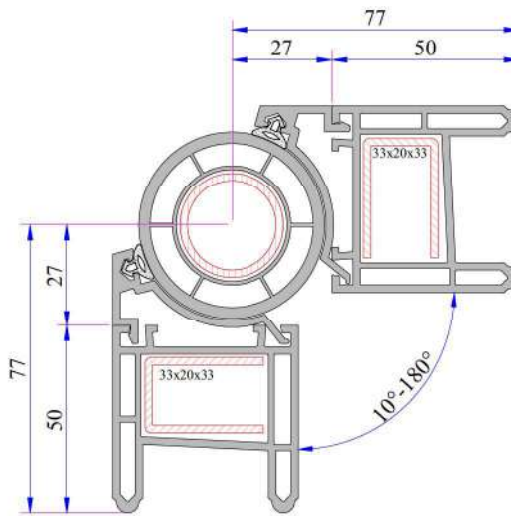
Sliding Frame - 330 Frame Installation



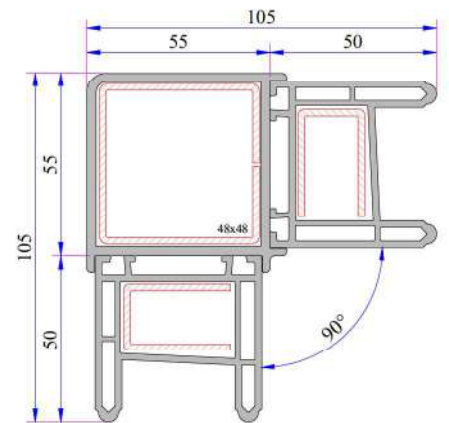
135° Corner Profile Installation



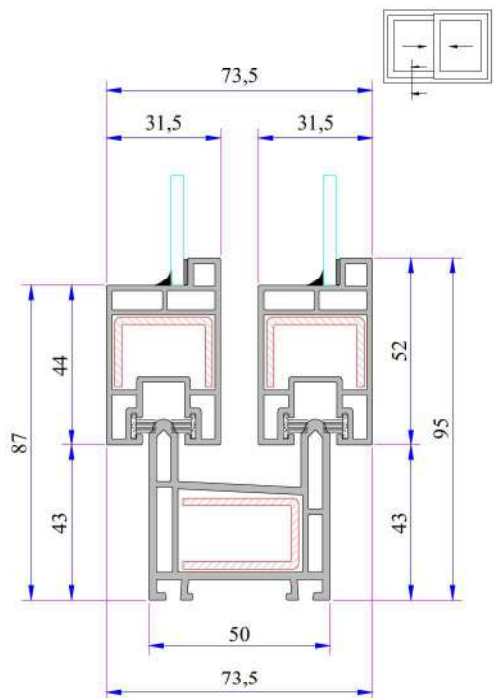
Universal Large Coupling Profile Installation



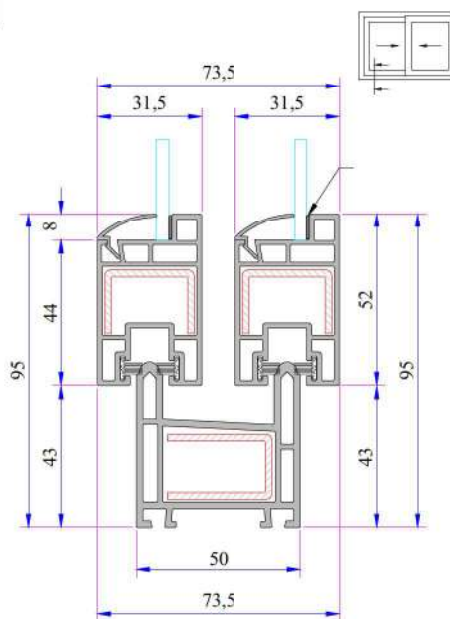
Corner And Pipe Profile Installation



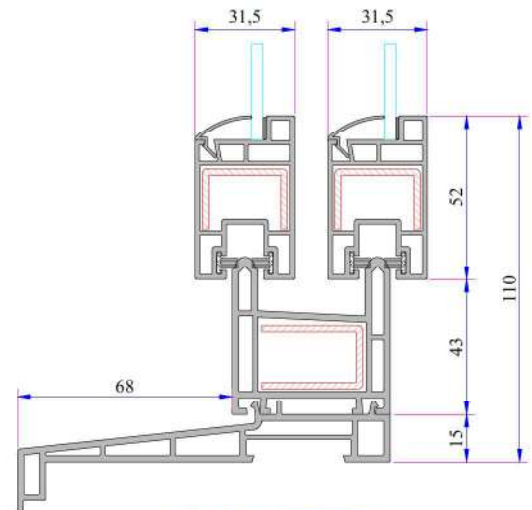
90° Corner Profile Installation



Sliding Frame Profile - Sliding Sash Profile Installation



Sliding Frame Profile - Sliding Sash Profile Installation



Sill Profile Installation



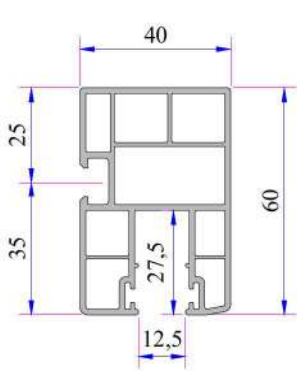
INSTRUCTION

ADO ROLLER SHUTTER PROFILE SERIES

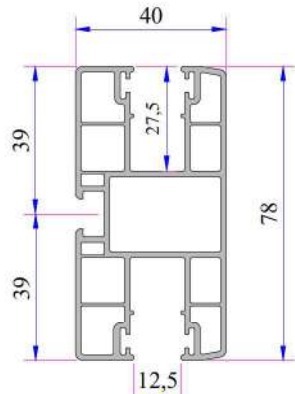
- With 190 x 190 mm, 190 x 225 mm, 225 x 225 mm 155 x 155 mm 4 different type of boxes give us possibility to work on desired wall thickness, width and height due to 190 x 225 mm ve 225 x 225 mm boxes, it has a chance to use roller shutter with heat insulation.
- It provides the possibility of installation inside and outside the wall. The installation of blade and maintenance - is possible from inside for all kinds room of renovation.
- It can be applied with motor, remote control and manual cord.
- The sliding rails are available with blade of roller shutter of measurements 37 mm, 39 mm, 42 mm, 50 mm, 55 mm.

ROLLER SHUTTER PROFILE SYSTEM

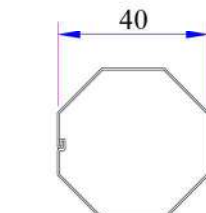
190x190mm BOX OF ROLLER SHUTTER



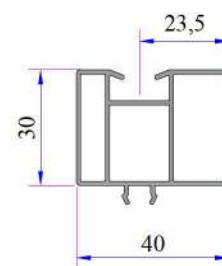
37 mm Blade Side Rail
Code:
P.A.037.5602.600.0.00.19



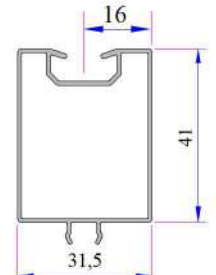
37 mm Blade For Center Rail
Code:
P.A.037.5603.600.0.00.19



**Shutter Rewinding Drum
Galvanized**
Code: 34019-41040



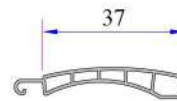
**Shutter Side Rail
Lifting Profile**
Code: 21108-01000



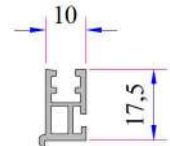
**Shutter Side Rail
Lifting Profile**
Code: AD16-050



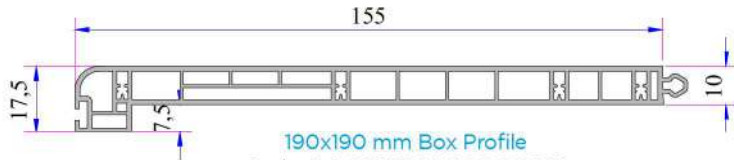
190x190 mm Box (Ext Insd Up) Profile
Code: P.A.097.5601.600.0.00.19



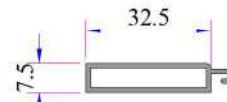
37mm Shutter Blade
Code: P.PNJ.01.37.IH.1.6000



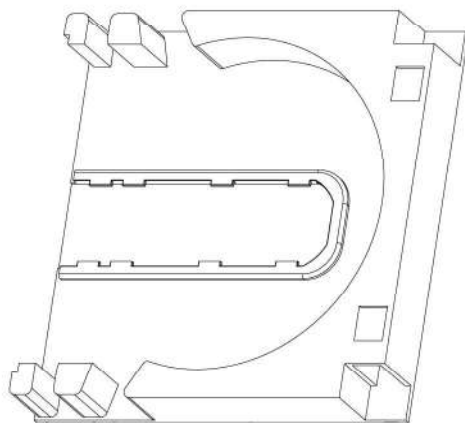
PVC Bumber Bead
Code: P.A.097.5605.600



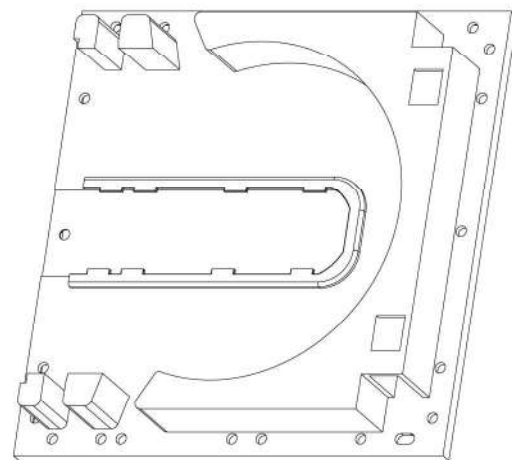
190x190 mm Box Profile
Code: P.A.097.5600.600.0.00.19



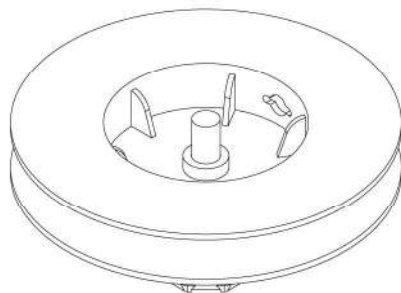
**Alm. Shutter Blade For
Weight**
Code: 16012.6015.1.1.9016



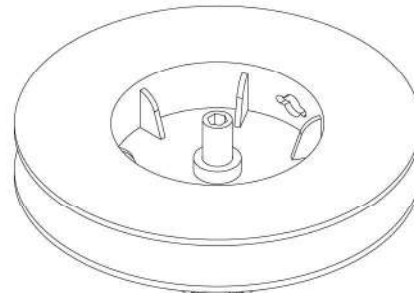
190x190 mm Shutter Side Cover
Code: 34019-11240



190x190 mm Shutter Middle Cover
Code: 34019-11210

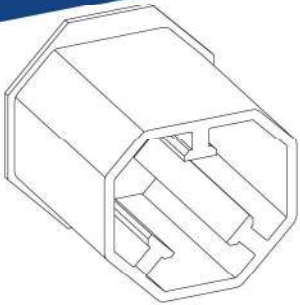


Big Roller
Code: 34019-11280

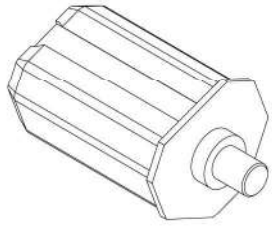


Big Roller (Controlled By Unique Control Point)
Code: 34019-11420

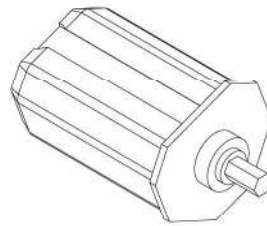
ROLLER SHUTTER PROFILE SYSTEM



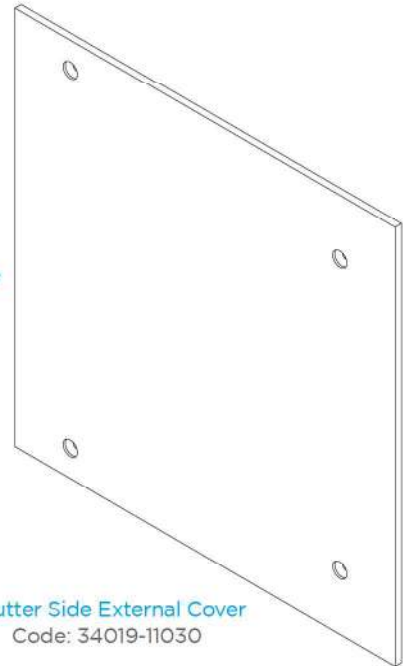
Shutter 40x60 Muff
Code: 34019-11300



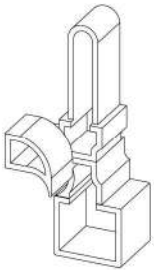
Shutter Small Roller
Code: 34019-11290



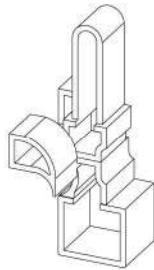
Small Roller Controlled By Unique Control Point)
Code: 34019-11410



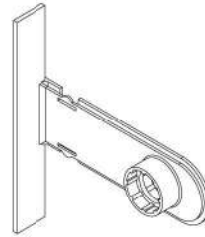
Shutter Side External Cover
Code: 34019-11030



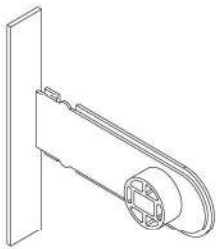
Shutter Rail On Side
Code: 34019-11110



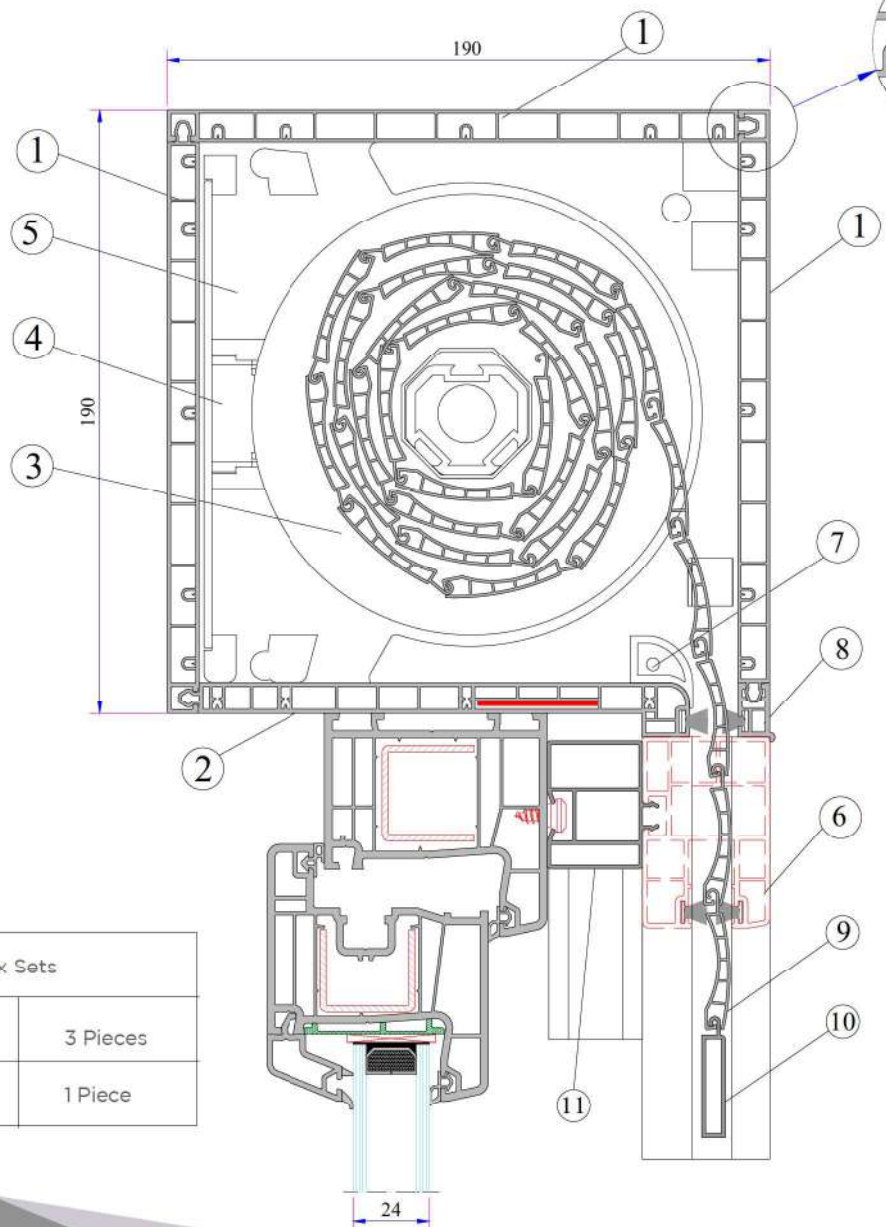
Shutter Rail In The Middle
Code: 34019-11310



Shutter Side and Middle Roller
Code: 34019-11250



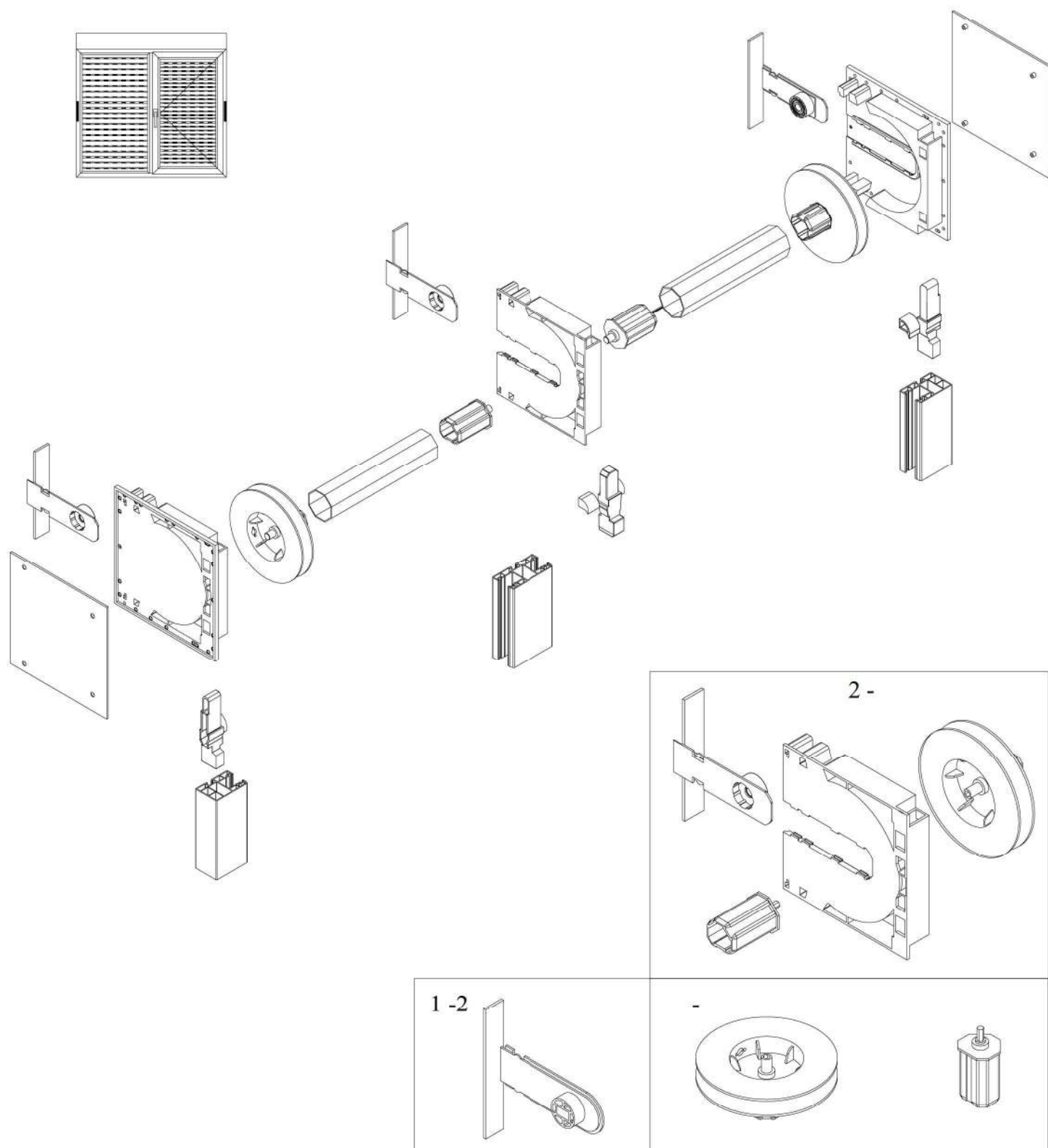
Shutter Side and Middle Roller (It Is For Motorized Roller Shutter)
Code: 34019-11260



- 1- Box External - Superior - Inner profile
- 2- Bottom Box profile
- 3- Big Roller
- 4- Side cover sled
- 5- Side Cover
- 6- New side rail
- 7- Rails beading sled (Right -Left)
- 8- PVC Bumber Bead
- 9- Shutter blade
- 10- Alm. Blade for the weight
- 11- Middle Fly Screen with Pile Profile

190x190mm Roller Shutter Box Sets	
Roller Shutter, Inner External and Superior Box Profile	3 Pieces
Roller Shutter Lower Box Profile	1 Piece

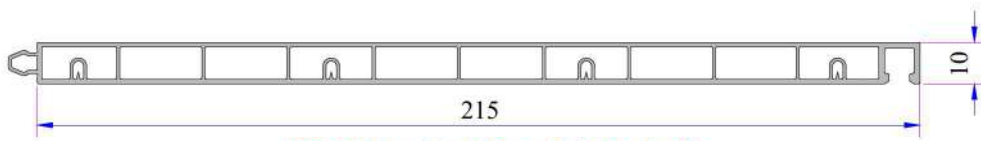
ROLLER SHUTTER PROFILE SYSTEM



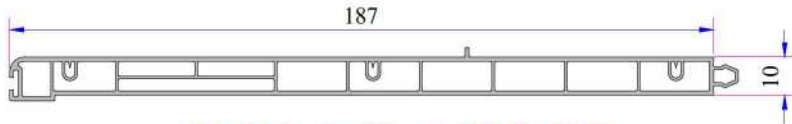
Notes:

1. In case of motorized roller shutter use, only the inner side of the roller bearing should be selected as rectangular. The picture is upwards section.
2. The single-point controlled (which does not matter whether it is corded or motorized) roller shutters including 2, 3, 4 pieces will have the option of transferring the small and large roller at each crossing point. The small and large rollers pass each other with hexagonal heads.

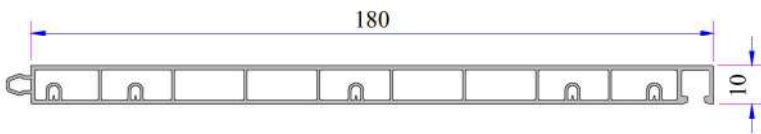
190x225mm INSULATED ROLLER SHUTTER BOXES



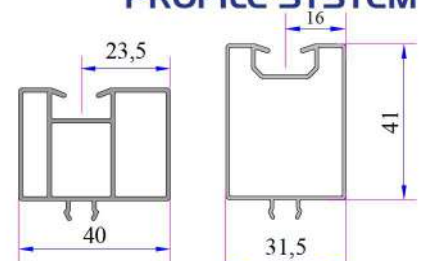
190x225 Insulated Above Side Box Profile
Code: P.A.097.5611.600.0.00.19



190x225 Insulated Bottom Side Box Profile
Code: P.A.097.5612.600.0.00.19

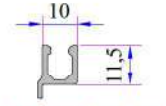


190x225 Insulated External And Inner Box Profile
Code: P.A.097.5601.600.0.00.19

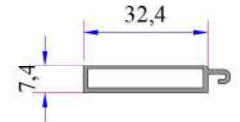


Shutter Side Rail Lifting Profile
Code: 21108-01000

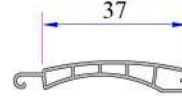
Shutter Side Rail Lifting Profile
Code: AD16-050



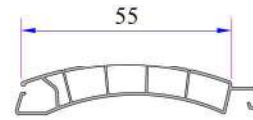
Alm. Bumber Bead
Code: 16036.601.5.1.1.9016



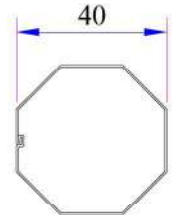
Alm. Blade For Weight
Code: 16012.601.5.1.1.9016



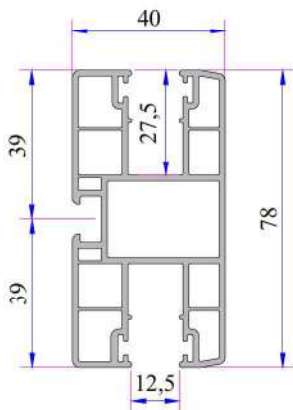
37' Shutter Blade
Code: P.PNJ.01.37.IH.1.6000



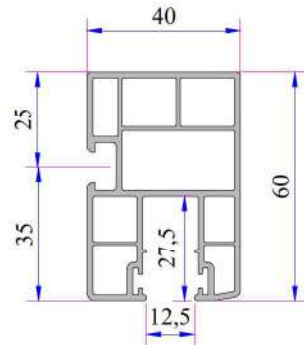
55' Shutter Blade
Code: P.PNJ.01.55.1.6000



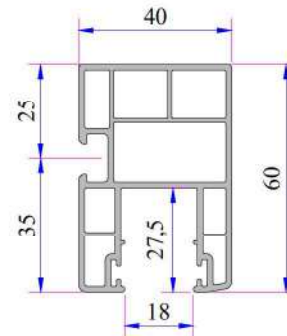
Shutter Rewinding Drum Galvanized
Code: 34019-41040



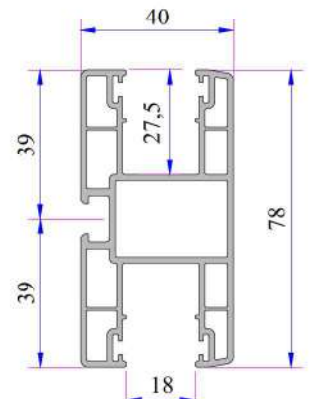
37' Side Rail Blade
Code: P.A.097.5603.600.0.00.19



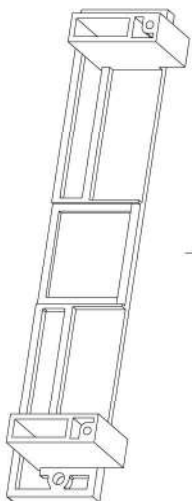
37' Middle Rail Blade
Code: P.A.097.5602.600.0.00.19



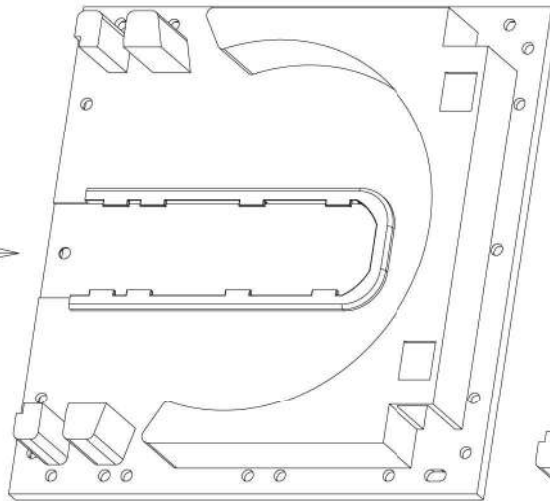
55' Side Rail Blade
Code: P.A.097.5613.600.0.00.19



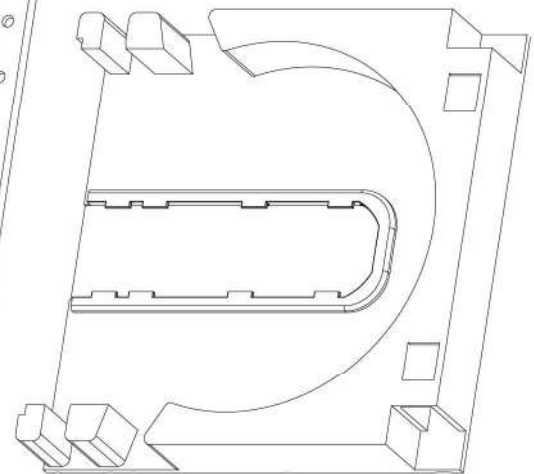
55' Middle Rail Blade
Code: P.A.097.5614.600.0.00.19



190x225 mm Insulated Roller Shutter Side Extension Cover
Code: 34019-11020

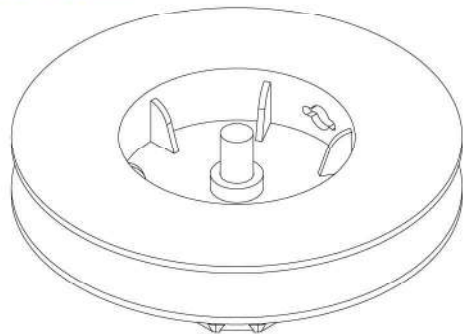


190x190 mm Shutter Side Cover
Code: 34019-11210

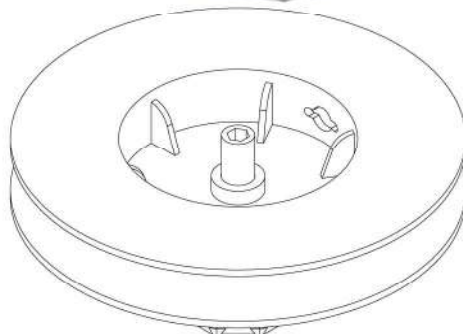


190x190 mm Shutter Middle Cover
Code: 34019-11240

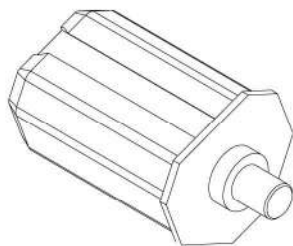
ROLLER SHUTTER PROFILE SYSTEM



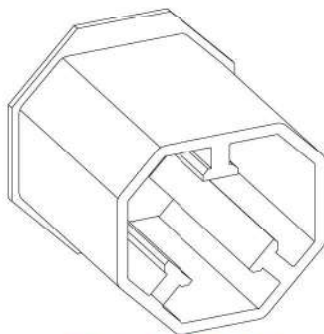
Shutter Big Roller
Code: 34019-11280



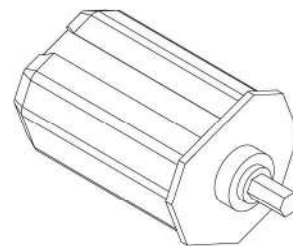
Big Roller (Controlled by Unique Control Point)
Code: 34019-11420



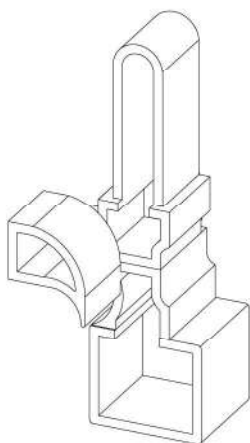
Shutter Small Roller
Code: 34019-11290



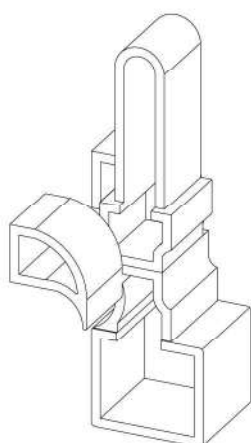
Shutter 40x60 Muff
Code: 34019-11300



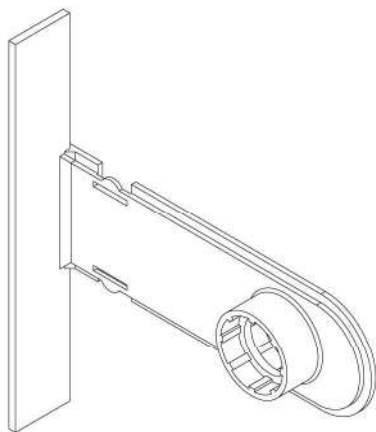
Small Roller (Controlled By
Unique Control Point)
Code: 34019-11410



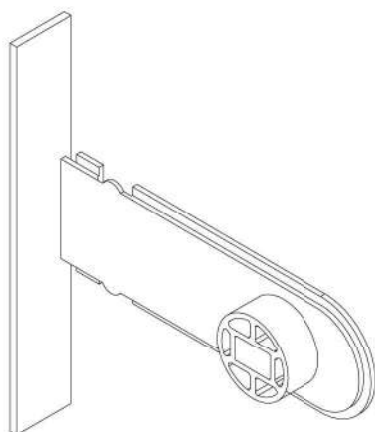
Shutter Side Rail Sled
Code: 34019-11110



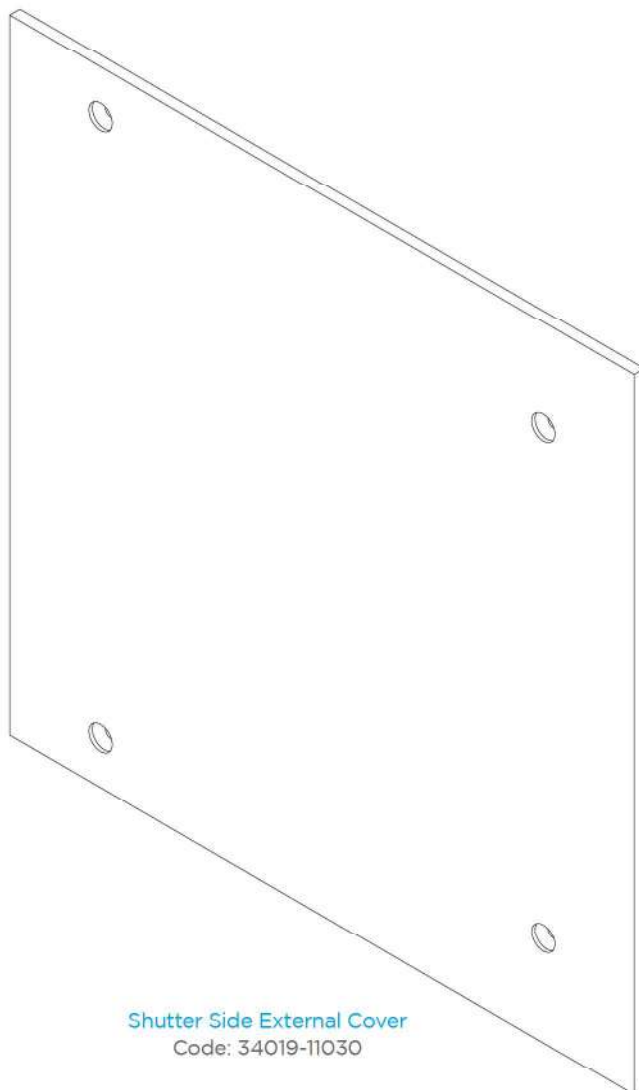
Shutter Middle Rail Sled
Code: 34019-11310



Shutter Side and Middle
Roller Setting
Code: 34019-11250



Shutter Side and Middle Roller Setting
(for Motorized Shutters)
Code: 34019-11260



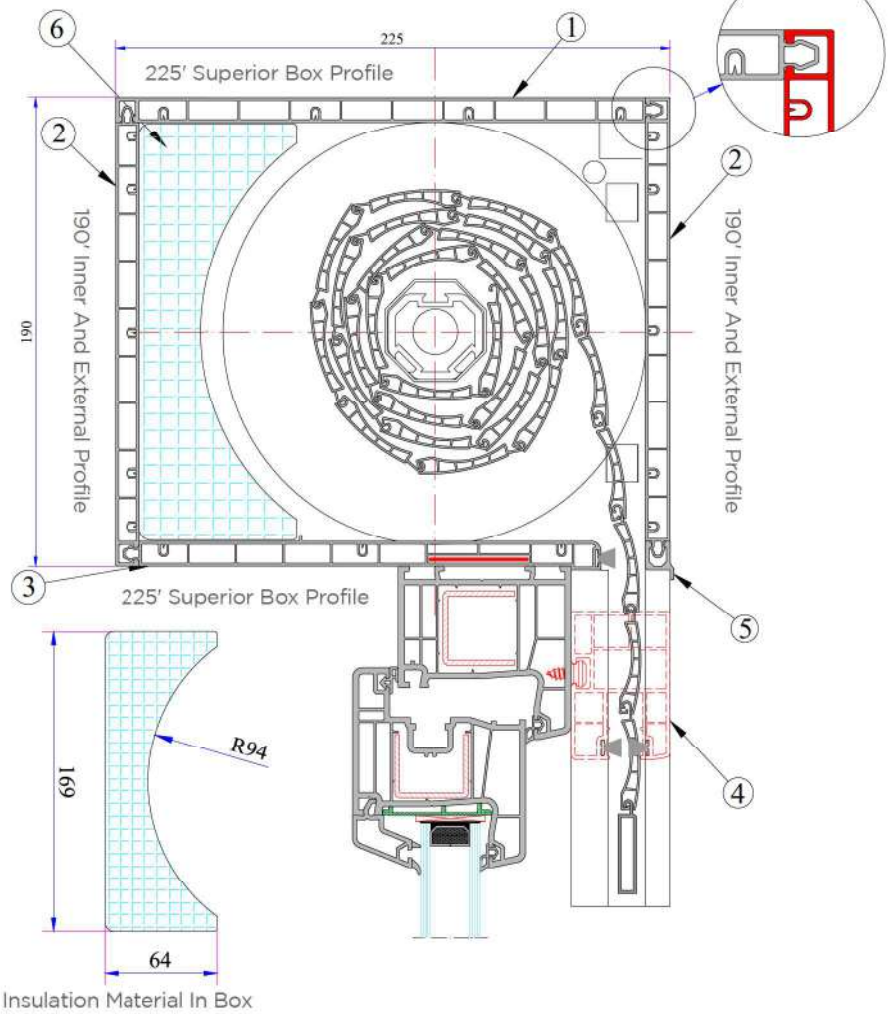
Shutter Side External Cover
Code: 34019-11030

ROLLER SHUTTER PROFILE SYSTEM

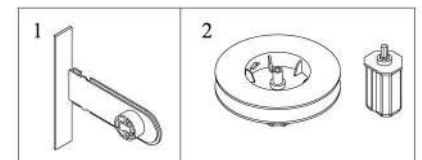
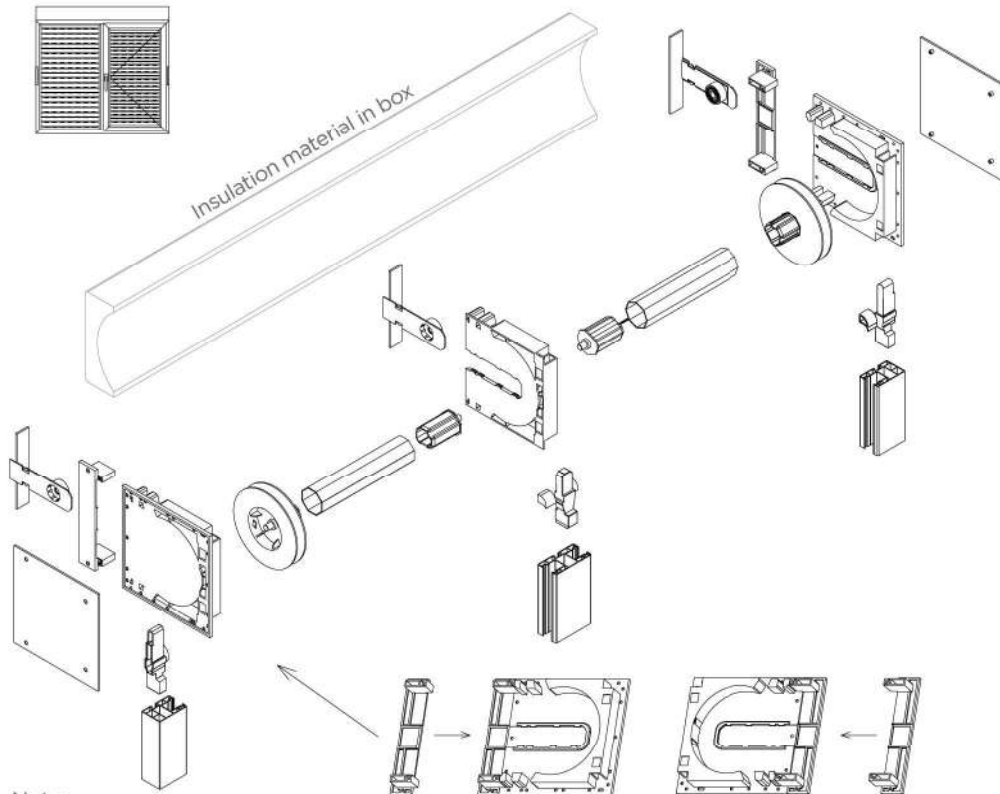
- 1- 225' Shutter Box Profile
- 2- 190' Shutter Box Profile
- 3- 225' Shutter Bottom Box Profile
- 4- 37 - 55 Shutter Side Rail Profile
- 5- Alm. Bumber Bead
- 6- Shutter Insulation Material

190X225mm Shutter Box Profile	
225x225mm Shutter Superior Box Profile	1 Piece
190x190mm Shutter External and Inner Profile	2 Pieces
225x225mm Shutter Bottom Box Profile	1 Piece

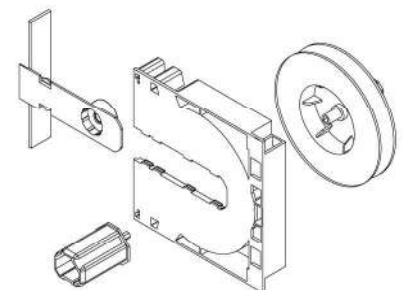
- 1- For 2400mm height, 37mm total 66 pieces lamel + alm. Screw will be used. (H/37mm + 1 Piece)
- 2- Total quantity of lamels is 27 in 1m 27. (1000/37mm)



Insulation Material In Box



The normal 190x190mm shutter is becoming a 190x225mm shutter box cover insulated with an additional extension cover on the inner side cover.



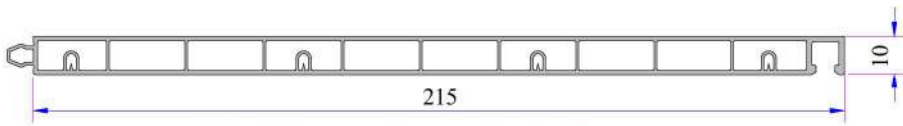
Optional Pieces For Single Head Control

Note:

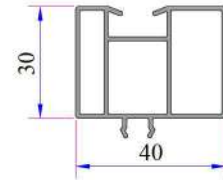
- 1- In case of motorized roller shutter use, only the inner side of the roller bearing should be selected as rectangular. The picture is upwards section.
- 2- The single-point controlled (which does not matter whether it is corded or motorized) roller shutters including 2-3-4-pieces will have the option of transferring the small and large roller at each crossing point. The small and large rollers pass each other with hexagonal heads.

ROLLER SHUTTER PROFILE SYSTEM

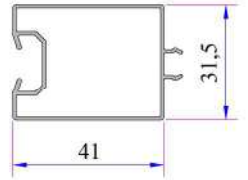
225x225mm SHUTTER BOXES



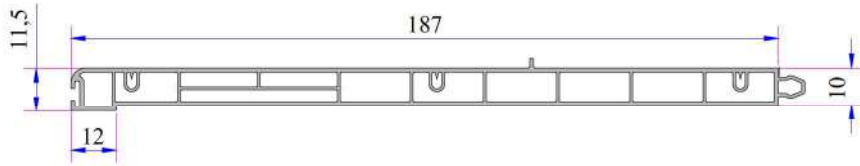
225x225' Insulated Superior Box Profile
Code: P.A.097.5611.600.0.00.19



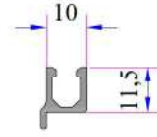
Shutter Side Rail Lifting Profile
Code: 21108-01000



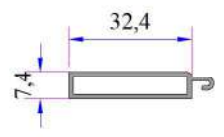
Shutter Side Rail Lifting Profile
Code: AD16-050



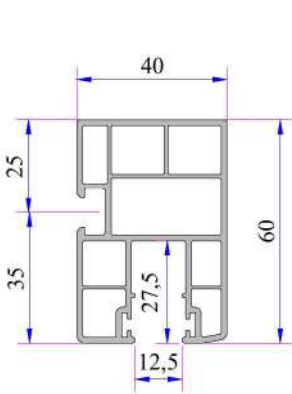
225x225' Insulated Bottom Profile
Code: P.A.097.5612.600.0.00.19



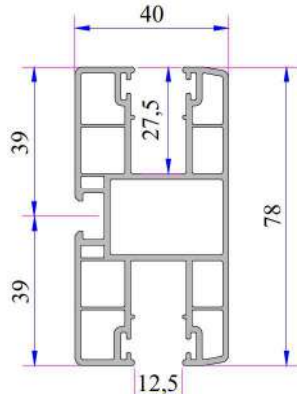
Alm. Bumber Bead
Code: 16036.601.5.11.9016



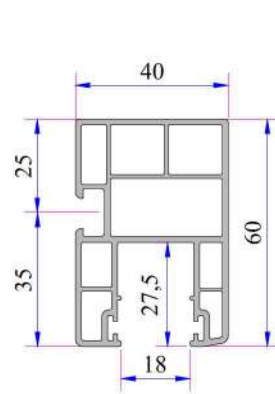
37' Blade Alm. For Weight
Code: 16012.601.5.11.9016



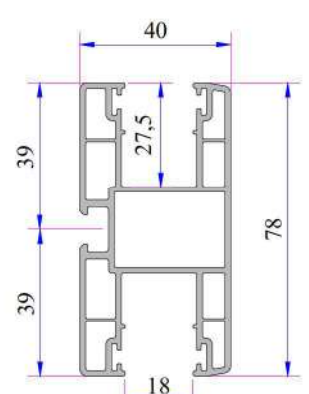
37' Side Blade
Code: P.A.097.5602.600.0.00.19



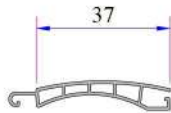
37' Middle Rail Blade
Code: P.A.097.5603.600.0.00.19



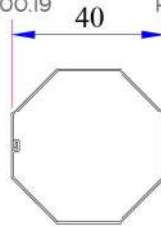
55' Side Rail Blade
Code: P.A.097.5613.600.0.00.19



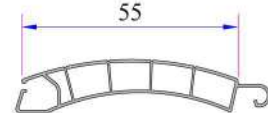
55' Middle Rail Blade
Code: P.A.097.5614.600.0.00.19



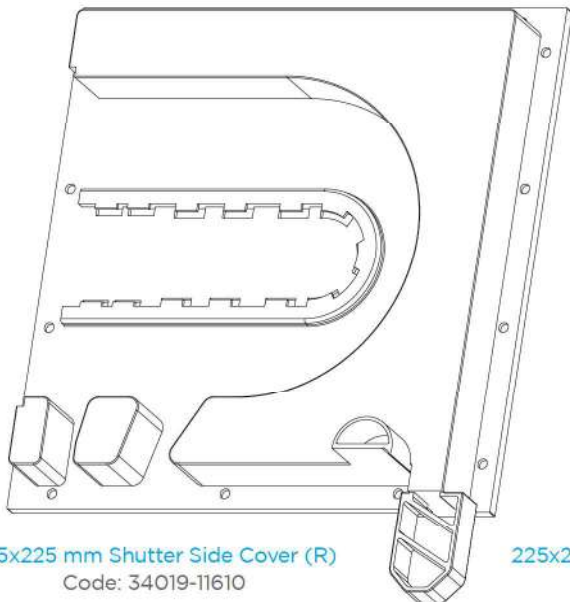
37' Shutter Blade
Code: P.PNJ.01.37.IH.1.6000



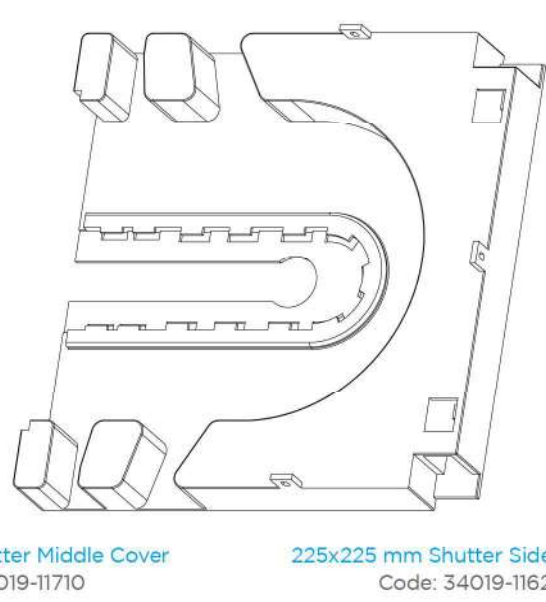
Shutter Rewinding Drum Profile Galvanized
Code: 34019-41040



55' Shutter Blade
Code: P.PNJ.01.55.1.6000

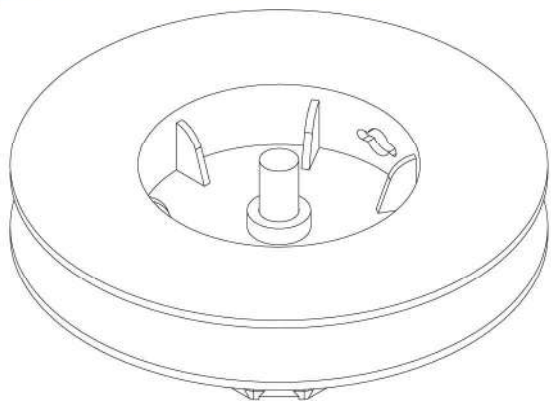


225x225 mm Shutter Side Cover (R)
Code: 34019-11610

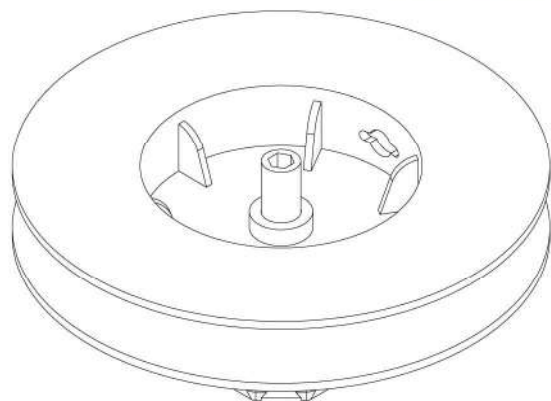


225x225 mm Shutter Middle Cover
Code: 34019-11710

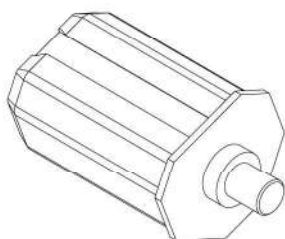
225x225 mm Shutter Side Cover (L)
Code: 34019-11620



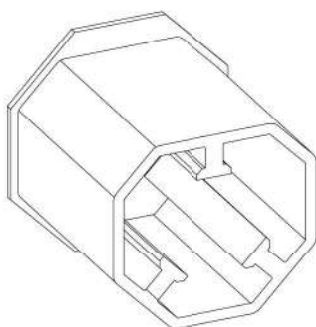
Shutter Big Roller
Code: 34019-11280



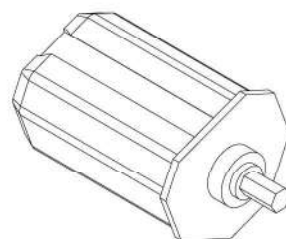
Big Roller (It Is Controlled By Unique Point)
Code: 34019-11420



Shutter Small Roller
Code: 34019-11290



Shutter 40x60 Muff
Code: 34019-11300



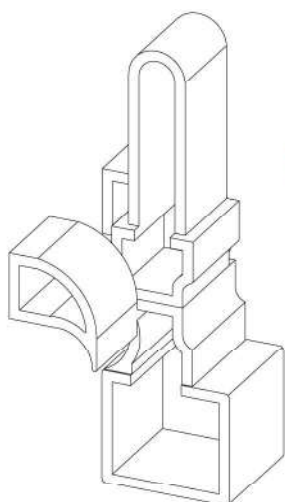
Small Roller (It is Controlled By Unique Point)
Code: 34019-11410



Shutter Side And Middle Roller
Code: 34019-11250

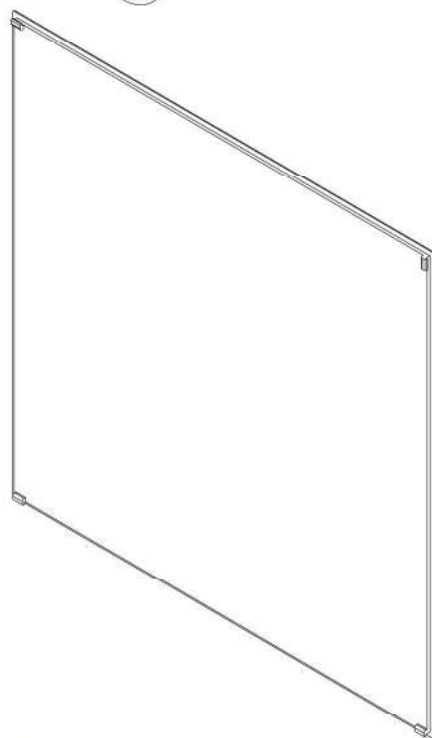


**Shutter Side And Middle Roller Sitting
(This Is For Motorized Roller Shutter)**
Code: 34019-11260

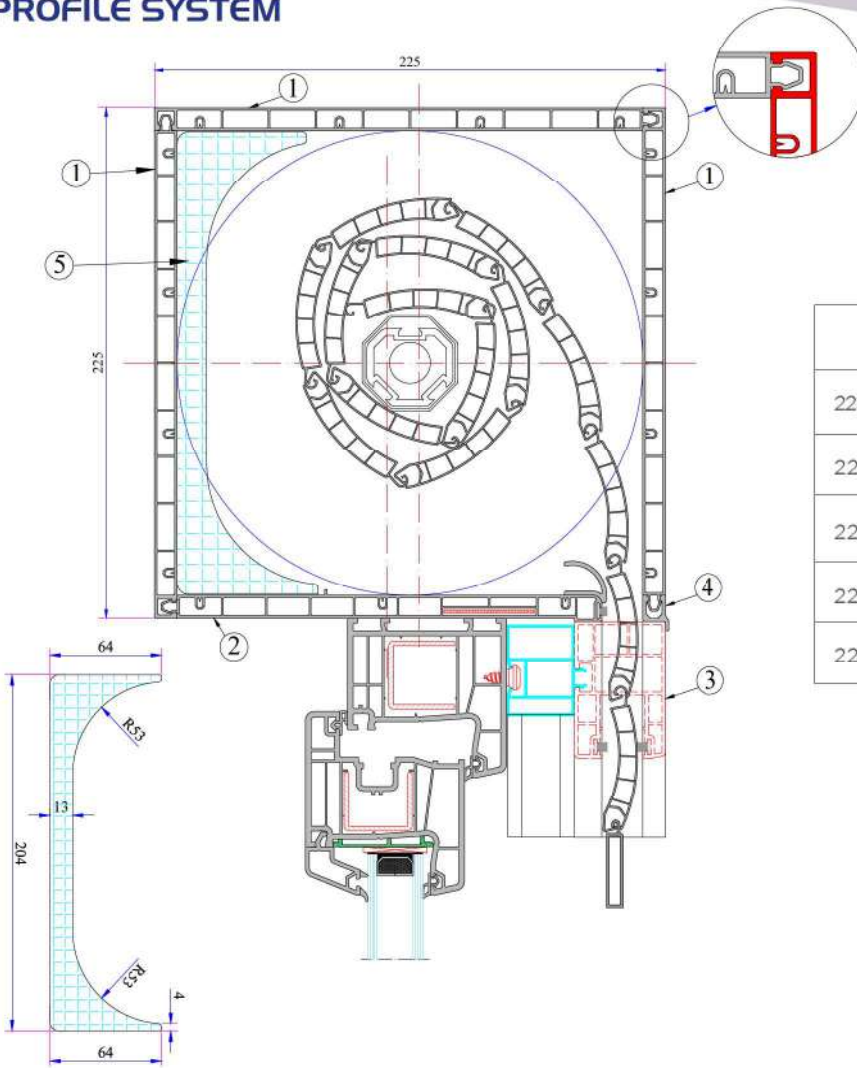


Shutter Middle Rail Sled
Code: 34019-11310

Shutter External Side Cover
Code: 34019-11510

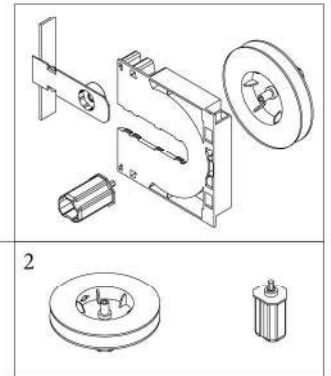


ROLLER SHUTTER PROFILE SYSTEM

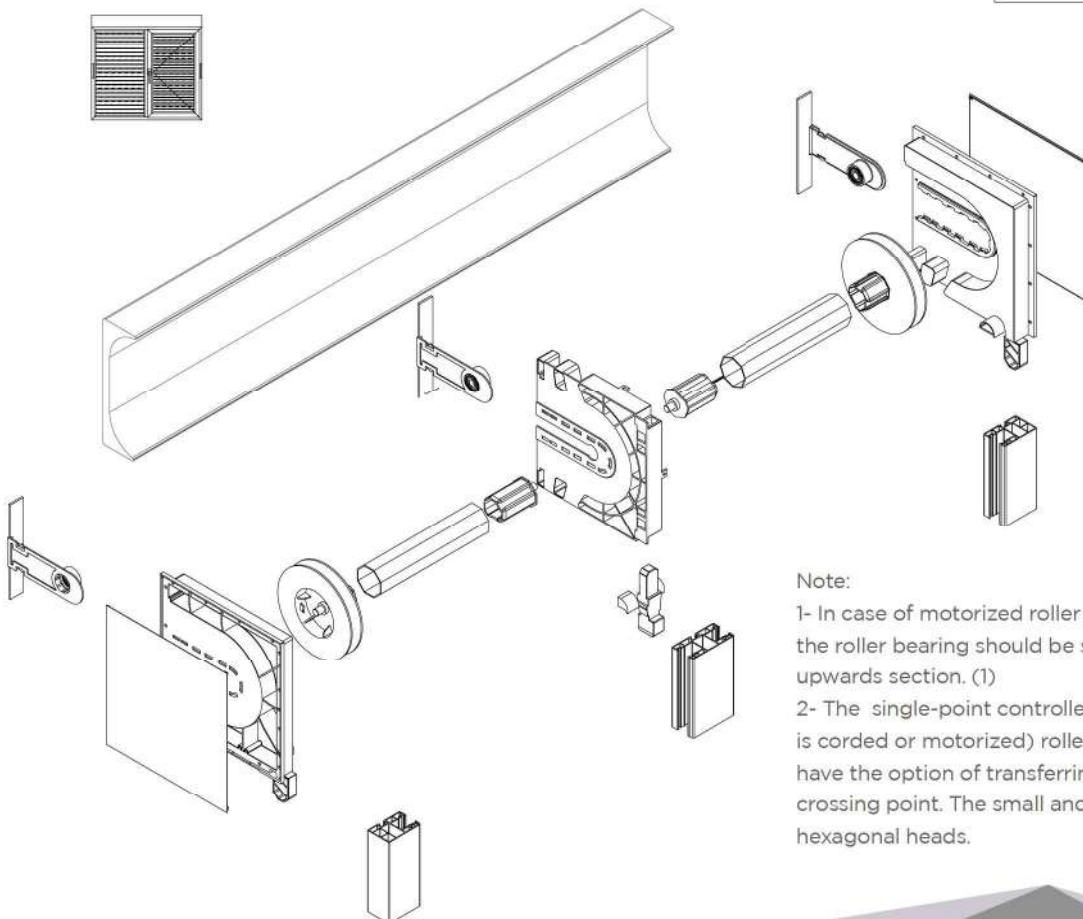


Insulation Material For Boxes

225x225mm Shutter Box Set	
225x225mm Shutter Inner And External Box Profile	3 Pieces
225x225mm Shutter Lower Side Box Profile	1 Piece
225x225mm Shutter Side Rail Profile	2 Pieces
225x225mm Alm. Bumber Bead	1 Piece
225x225mm Insulation Materials For Boxes	1 Piece



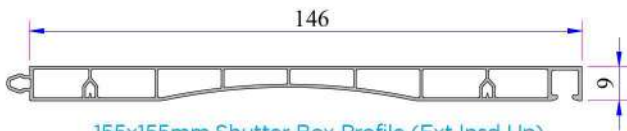
Optional Pieces For Single Hand Control



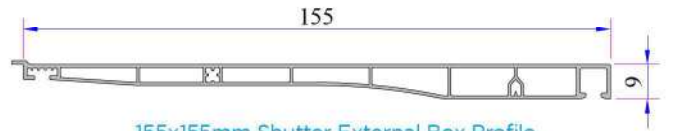
Note:

- 1- In case of motorized roller shutter use, only the inner side of the roller bearing should be selected as rectangular. The picture is upwards section. (1)
- 2- The single-point controlled (which does not matter whether it is corded or motorized) roller shutters including 2-3-4-pieces will have the option of transferring the small and large roller at each crossing point. The small and large rollers pass each other with hexagonal heads.

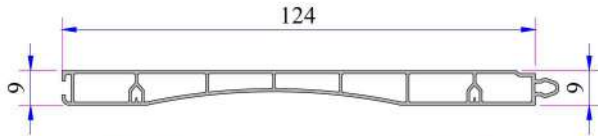
155x155mm SHUTTER BOXES



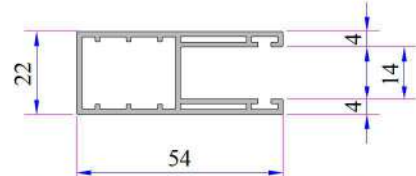
155x155mm Shutter Box Profile (Ext Insd Up)
Code: P.A.097.5607.600.0.00.19



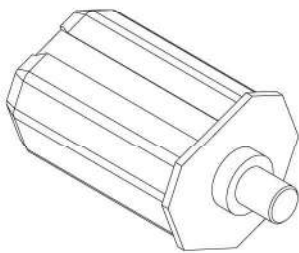
155x155mm Shutter External Box Profile
Code: P.A.097.5606.600.0.00.19



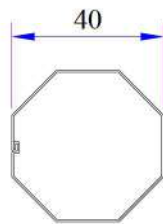
155x155mm Shutter Bottom Box Profile
Code: P.A.097.5608.600.0.00.19



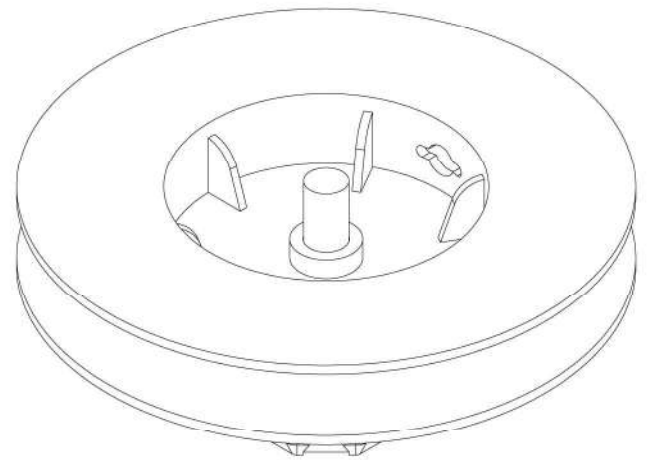
155x155mm Shutter Side Rail Profile
Code: P.A.097.5609.600.0.00.19



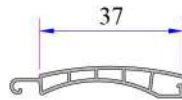
Shutter Small Roller
Code: 34019-11290



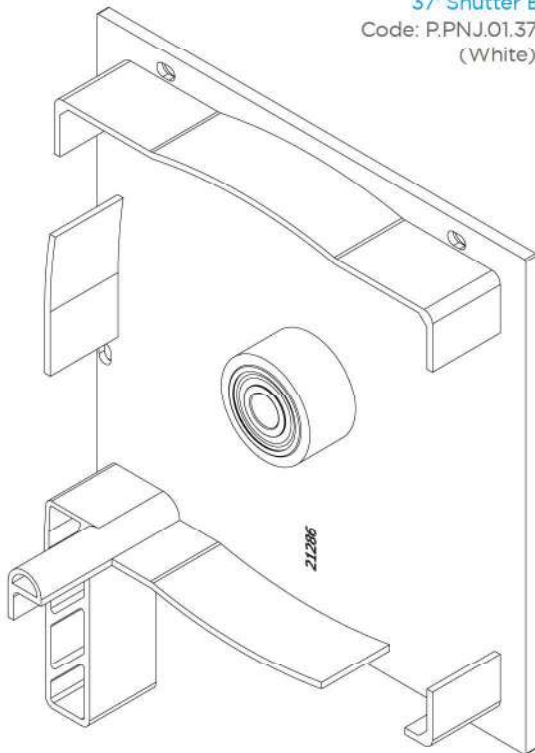
Shutter Rewinding Drum Galvanized
Code: 34019-41040



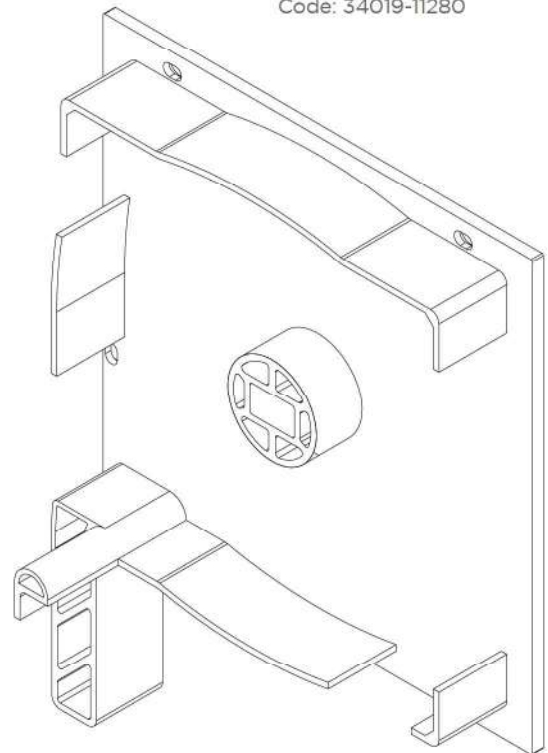
Shutter Big Roller
Code: 34019-11280



37' Shutter Blade
Code: P.PNJ.01.37.IH.1.6000
(White)

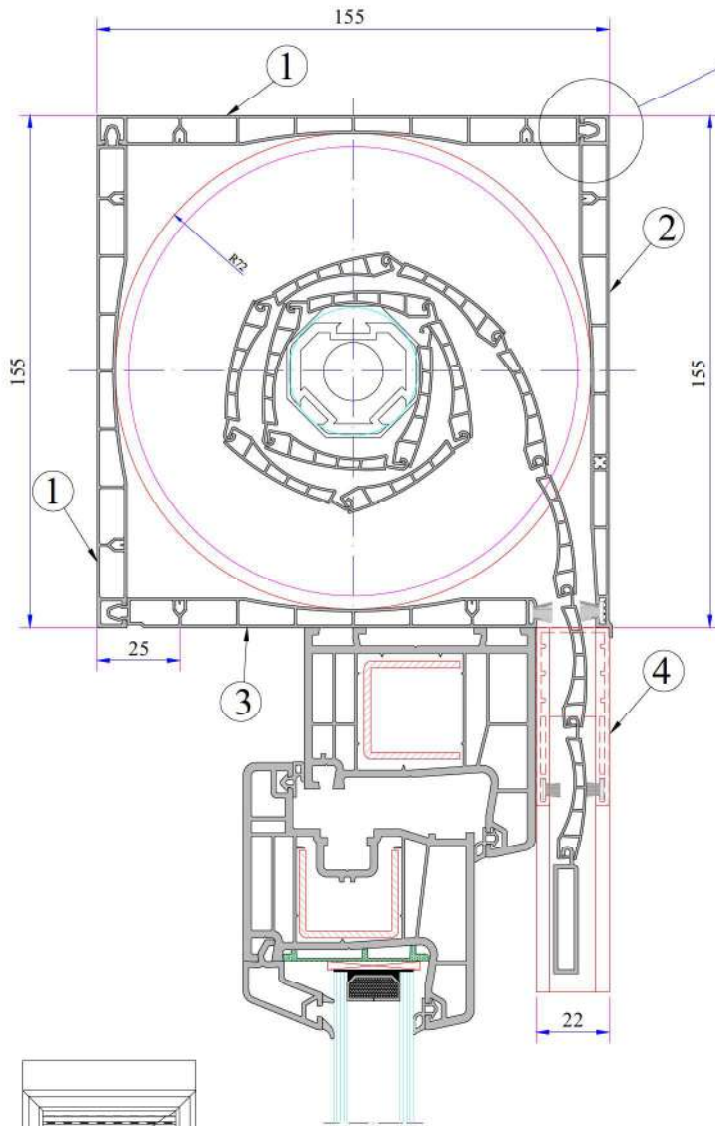


155x155 mm Corded Shutter Side Profile Left And Right Are Different
Code: 34019-11040

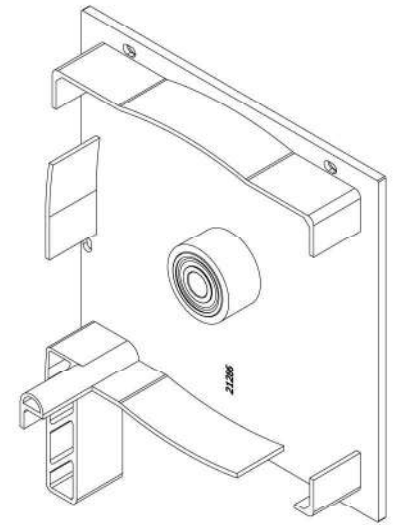


155x155 mm Motorized Shutter Side Cover (Left And Right Are Different)
Code: 34019-11050

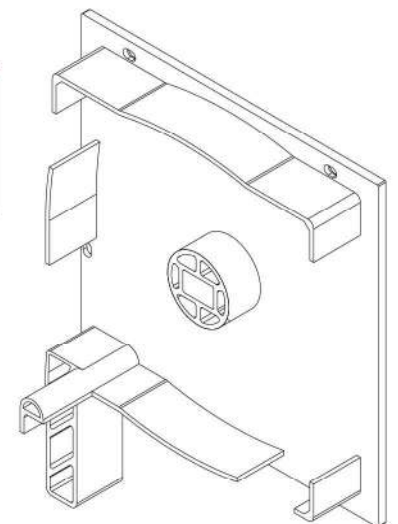
ROLLER SHUTTER PROFILE SYSTEM



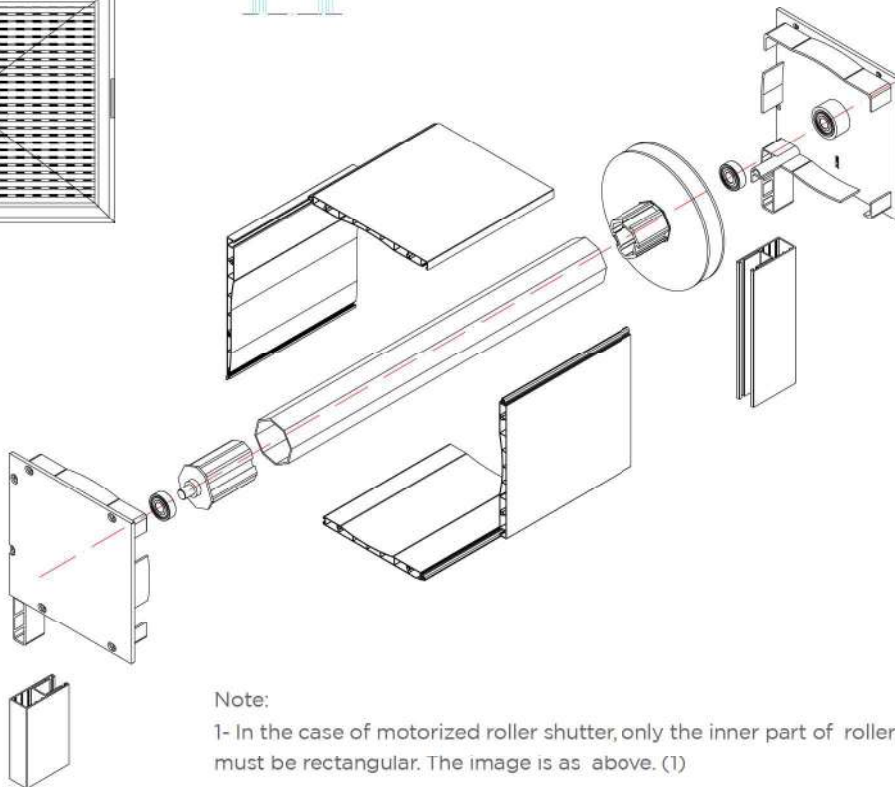
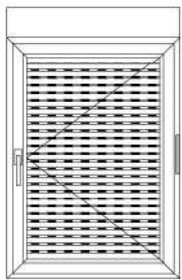
155x155mm Roller Shutter Box Systems		
1	Shutter Inner And Superior Box Profile	2 Pieces
2	Shutter External Box Profile	1 Piece
3	Shutter Lower Side Box Profile	1 Piece
4	Shutter Side Rail Profile	2 Pieces



155x155 mm Corded Shutter Side Cover
(Right And Left Side Are Different)
Code: 34019-11040



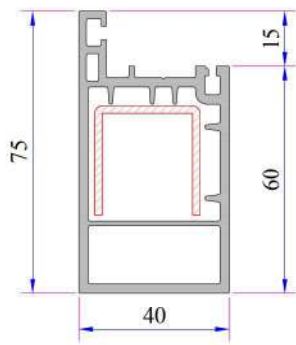
155x155 mm Motorized Shutter Side Cover
(Right And Left Sides Are The Same)
Code: 34019-11050



Note:

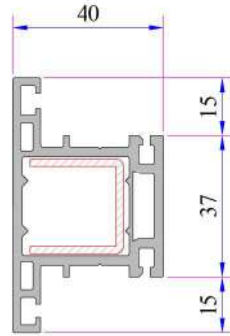
1- In the case of motorized roller shutter, only the inner part of roller bearing must be rectangular. The image is as above. (1)

SHUTTER MAIN PROFILES

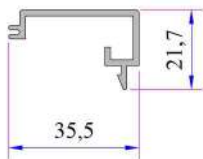


Sash Profile
Code: P.A.098.5900.600.0.00.19

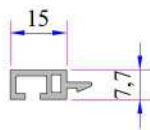
Mullion Profile
Code: P.A.098.5901.600.0.00.19



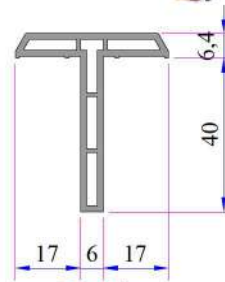
SHUTTER AUXILIARY PROFILES



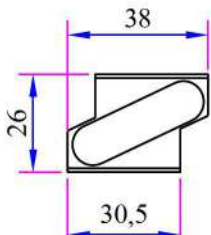
Sash Cover Profile
Code: P.A.098.5905.600



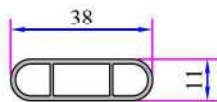
Shutter Blade Bead
Code: P.A.098.5904.600



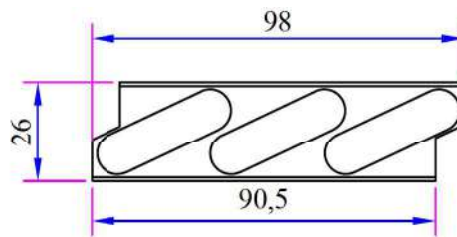
T Profile
Code: P.A.098.5902.600



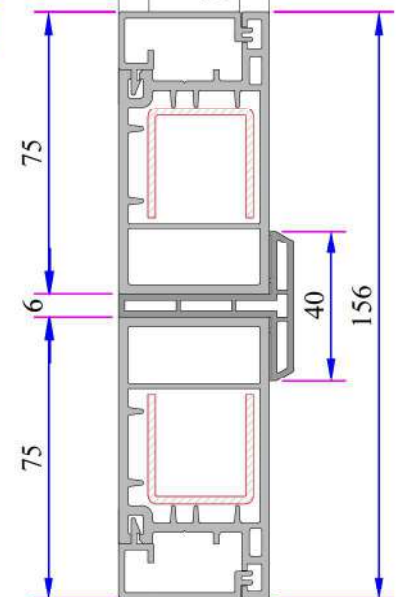
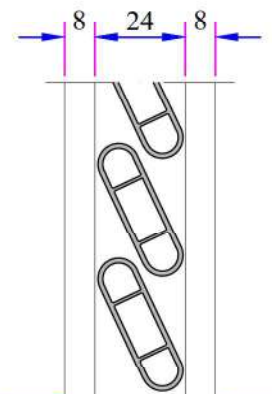
Single Sled
Code: 34020-11010



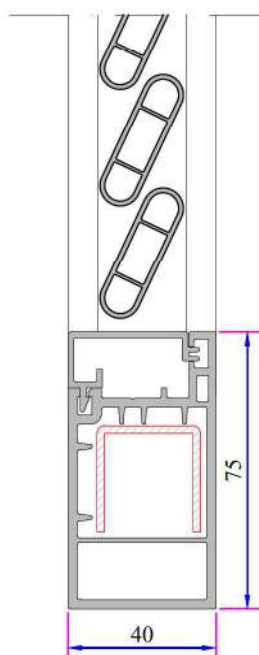
Shutter Blade
Code: P.A.098.5603.600



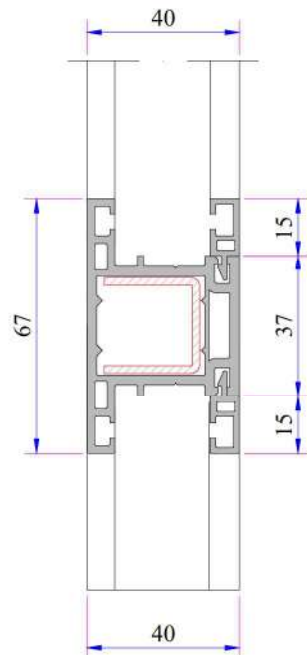
Shutter Blade Bead
Code: 34020-11020



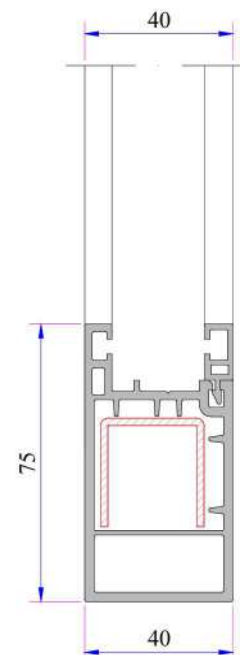
SHUTTER INSTALLATION



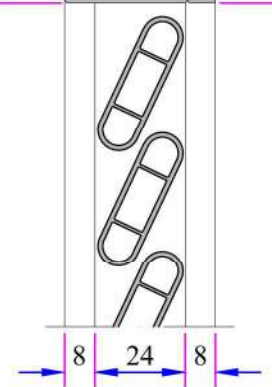
Shutter Blade Sash Installation



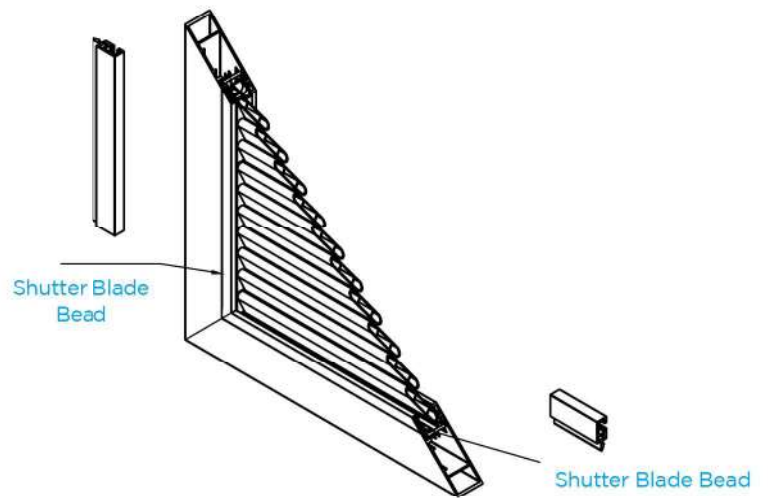
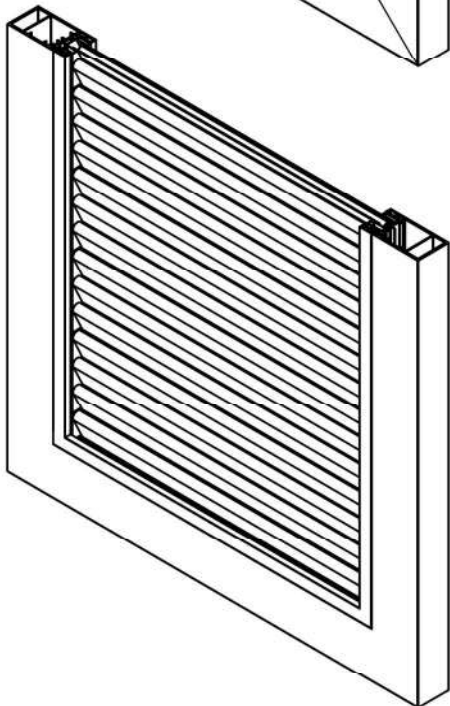
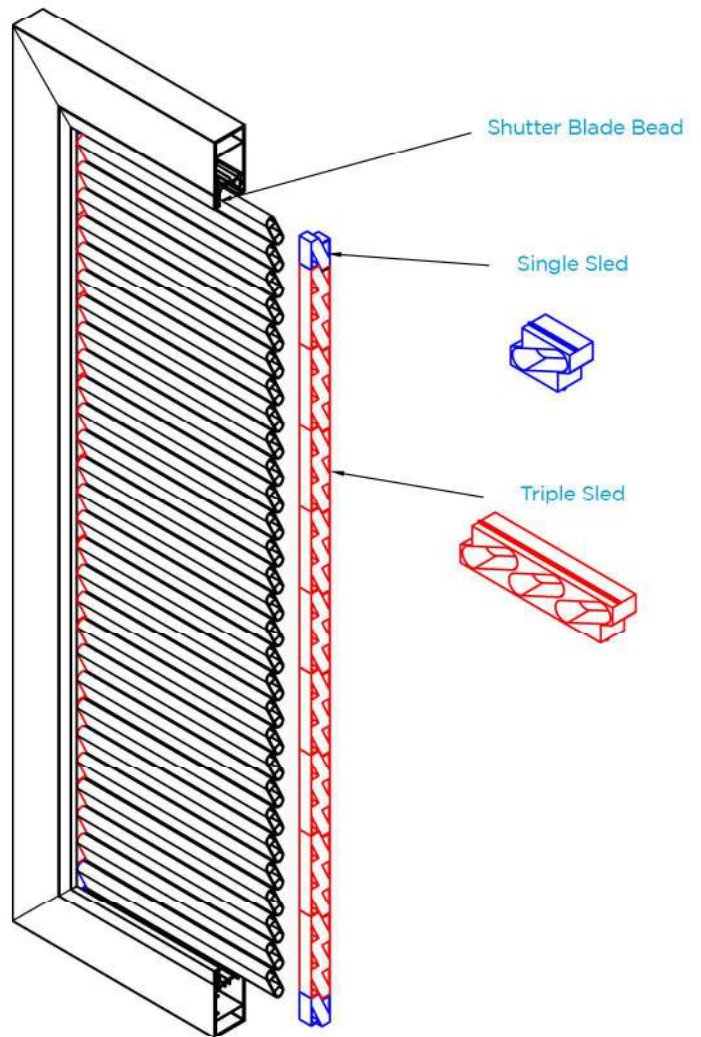
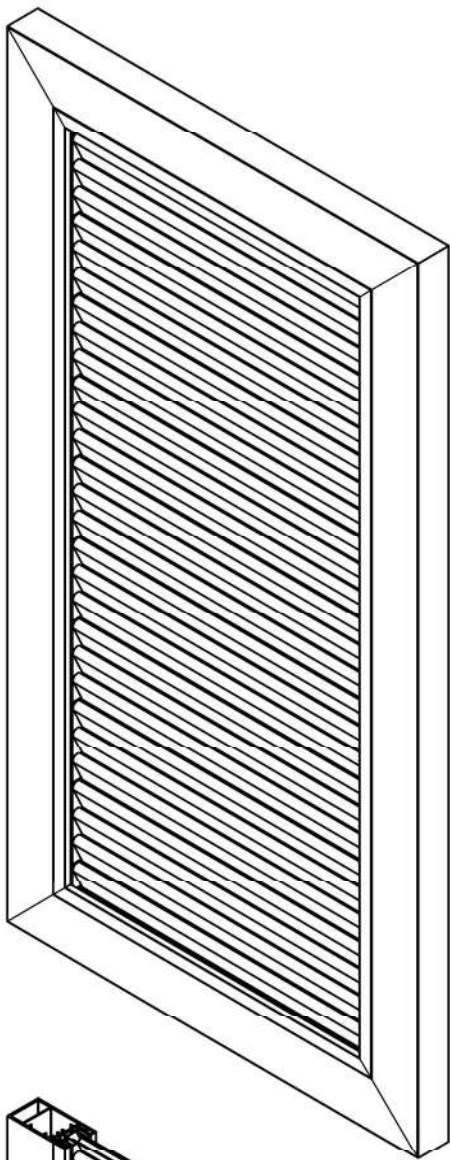
Shutter Mullion Installation



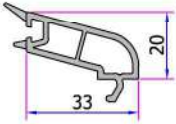
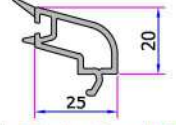
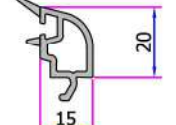
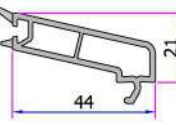
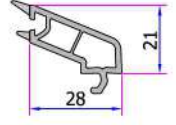
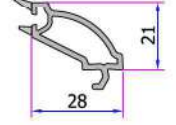
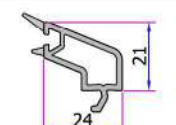
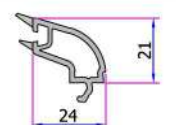
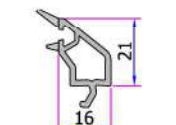
Shutter Blade Bead Installation



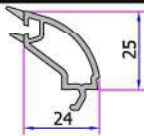
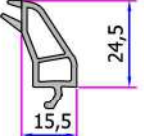
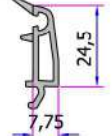
Shutter Installation



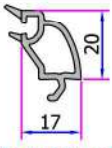
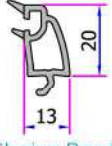
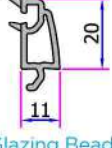
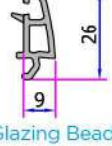


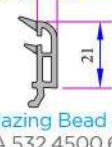

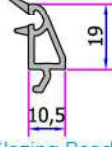
GLAZING BEAD COMBINATION TABLE

80' Serie Glazing Beads (800-860)						
 Double Glazing Bead (24mm) Code: P.A.800.4200.600.0.HC	Series	80 Series	70 Series	60 Series	232 Sliding Series	222 Sliding Series
	Glass Thickness	24 mm	15 mm	6-8 mm		
 Double Glazing Bead (32mm) Code: P.A.800.4500.600.0.HC	Series	80 Series	70 Series	60 Series	232 Sliding Series	222 Sliding Series
	Glass Thickness	32 mm	24 mm	17 mm	6 mm	
 Double Glazing Bead (42mm) Code: P.A.800.4600.600.0.HC	Series	80 Series	70 Series	60 Series	232 Sliding Series	222 Sliding Series
	Glass Thickness	42 mm	34 mm	26 mm	16 mm	8 mm
70' Serie Glazing Beads(750-752)						
 Single Glazing Bead (4-6mm) Code: P.A.750.4000.600.0.HC	Series	80 Series	70 Series	60 Series	232 Sliding Series	222 Sliding Series
	Glass Thickness	14 mm	4 mm			
 Double Glazing Bead (20mm) Code: P.A.750.4100.600.0.HC	Series	80 Series	70 Series	60 Series	232 Sliding Series	222 Sliding Series
	Glass Thickness	30 mm	20 mm	12 mm	4 mm	
 Dec. Double Glazing Bead (20mm) Code: P.A.750.4102.600.0.HC	Series	80 Series	70 Series	60 Series	232 Sliding Series	222 Sliding Series
	Glass Thickness	30 mm	20 mm	12 mm	4 mm	
 Double Glazing Bead (24mm) Code: P.A.750.4200.600.0.HC	Series	80 Series	70 Series	60 Series	232 Sliding Series	222 Sliding Series
	Glass Thickness	32-34 mm	24 mm	17 mm	8 mm	
 Dec. Double Glazing Bead (24mm) Code: P.A.750.4204.600.0.HC	Series	80 Series	70 Series	60 Series	232 Sliding Series	222 Sliding Series
	Glass Thickness	32-34 mm	24 mm	17 mm	8 mm	
 Triple Glazing Bead (32mm) Code: P.A.750.4500.600.0.HC	Series	80 Series	70 Series	60 Series	232 Sliding Series	222 Sliding Series
	Glass Thickness	42 mm	32 mm	24 mm	15 mm	8 mm

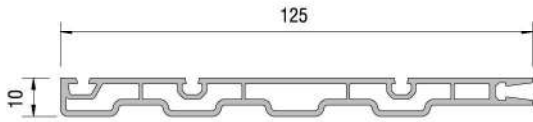
GLAZING BEAD COMBINATION TABLE

Triple Sealed Series Glazing Beads (873 - 777)						
 Double Glazing Bead (24mm) Code: P.A.777.4204.600.0.HC	Series	873 Series	777 Series	60 Series	232 Sliding Series	222 Sliding Series
	Glass Thickness	24 mm	24 mm			
 Triple Glazing Bead (32mm) Code: P.A.777.4302.600.0.HC	Series	873 Series	777 Series	60 Series	232 Sliding Series	222 Sliding Series
	Glass Thickness	32 mm	32 mm			
 Triple Glazing Bead (40mm) Code: P.A.433.4500.600.0.HC	Series	873 Series	777 Series	60 Series	232 Sliding Series	222 Sliding Series
	Glass Thickness	40 mm	40 mm			

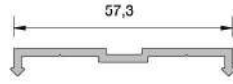
60' Serie Glazing Beads (760 - 632 - 624 - 101)						
 Single Glazing Bead (4mm) Code: P.A.101.4002.600.0.HC	Series	80 Series	70 Series	60 Series	232 Sliding Series	222 Sliding Series
	Glass Thickness	22 mm	12 mm	4 mm		
 Dec. Double Glazing Bead (20mm) Code: P.A.101.4000.600.0.HC	Series	80 Series	70 Series	60 Series	232 Sliding Series	222 Sliding Series
	Glass Thickness	38 mm	28 mm	20 mm	12 mm	4 mm
 Double Glazing Bead (20mm) Code: P.A.101.4102.600.0.HC	Series	80 Series	70 Series	60 Series	232 Sliding Series	222 Sliding Series
	Glass Thickness	38 mm	28 mm	20 mm	12 mm	4-5 mm
 Dec. Double Glazing Bead (24mm) Code: P.A.101.4102.600.0.HC	Series	80 Series	70 Series	60 Series	232 Sliding Series	222 Sliding Series
	Glass Thickness	42 mm	32 mm	24 mm	15 mm	8 mm
 Triple Glazing Bead (32mm) Code: P.A.101.4500.600.0.HC	Series	80 Series	70 Series	60 Series	232 Sliding Series	222 Sliding Series
	Glass Thickness	50 mm	40 mm	32 mm	24 mm	17 mm

60' Serie Glazing Beads (760-632-624-101)						
 <p>Double Glazing Bead (24mm) Code: P.A.900.4206.600.0.HC</p>	Series	80 Series	70 Series	60 Series	232 Sliding Series	222 Sliding Series
	Glass Thickness	40 mm	32 mm	24 mm	15 mm	6-8 mm
 <p>Double Glazing Bead (28mm) Code: P.A.900.4306.600.0.HC</p>	Series	80 Series	70 Series	60 Series	232 Sliding Series	222 Sliding Series
	Glass Thickness	44 mm	36 mm	28 mm	18 mm	10 mm
 <p>Double Glazing Bead (30mm) Code: P.A.900.4406.600.0.HC</p>	Series	80 Series	70 Series	60 Series	232 Sliding Series	222 Sliding Series
	Glass Thickness	46 mm	38 mm	30 mm	20 mm	14 mm
 <p>Double Glazing Bead (32mm) Code: P.A.900.4506.600.0.HC</p>	Series	80 Series	70 Series	60 Series	232 Sliding Series	222 Sliding Series
	Glass Thickness	48 mm	40 mm	32 mm	22 mm	15 mm
 <p>Double Glazing Bead (24mm) Code: P.A.532.4202.600.0.HC</p>	Series	80 Series	70 Series	60 Series	232 Sliding Series	222 Sliding Series
	Glass Thickness	42 mm	34 mm	26 mm	16 mm	8 mm
 <p>Double Glazing Bead (30mm) Code: P.A.532.4400.600.0.HC</p>	Series	80 Series	70 Series	60 Series	232 Sliding Series	222 Sliding Series
	Glass Thickness	48 mm	40 mm	32 mm	22 mm	15 mm
 <p>Triple Glazing Bead (32mm) Code: P.A.532.4500.600.0.HC</p>	Series	80 Series	70 Series	60 Series	232 Sliding Series	222 Sliding Series
	Glass Thickness	50-52 mm	42 mm	34 mm	24 mm	18 mm
Sliding Serie Glazing Beads (232)						
 <p>Single Glazing Bead (4mm) Code: P.A.332.4000.600.0.HC</p>	Series	80 Series	70 Series	60 Series	232 Sliding Series	222 Sliding Series
	Glass Thickness	30 mm	22 mm	14 mm	4 mm	
 <p>Double Glazing Bead (20mm) Code: P.A.332.4100.600.0.HC</p>	Series	80 Series	70 Series	60 Series	232 Sliding Series	222 Sliding Series
	Glass Thickness	46 mm	38 mm	30 mm	20 mm	14 mm

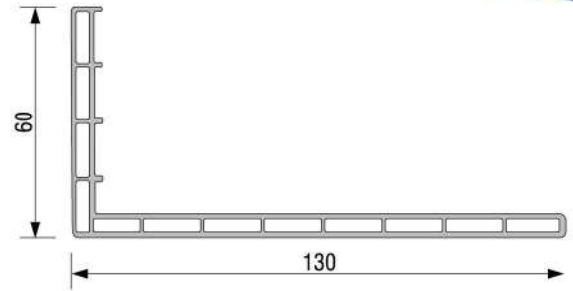
AUXILIARY PROFILE



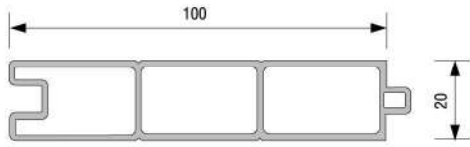
Dcr. Window Border (125x10)
Code: PYRD.01.DPP.600



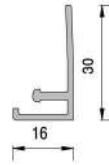
Dcr. Window Border Fixing Prf.
Code: PYRD.01.DPM.600



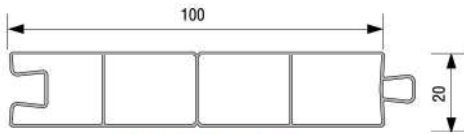
60x130 Border Profile
Code: P.A.099.5503.600.0.00.19



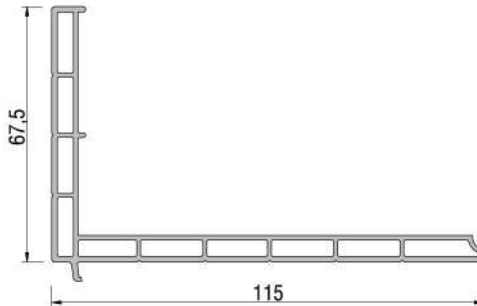
Panel Profile
Code: P.A.099.5400.600.0.00.19



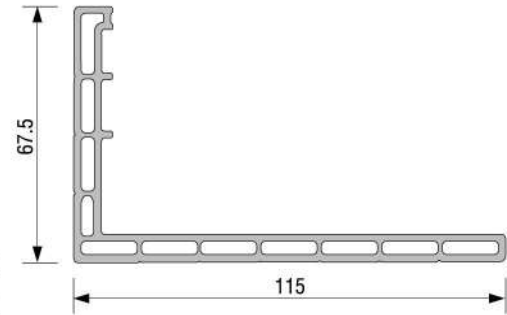
Dcr. Window Border F Profile
Code: PYRD.01.DPF.600



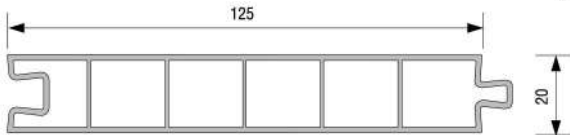
New Panel Profile
Code: P.A.099.5401.600.0.00.19



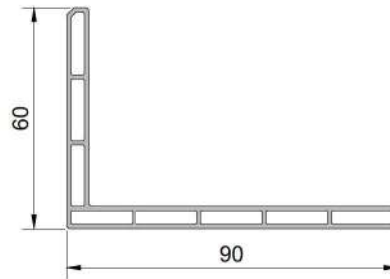
Panel Profile (67.5x115)
Code: P.A.099.5506.600.0.00.19



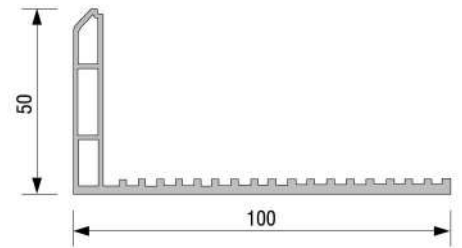
Frame Panel Profile
Code: P.A.099.5505.600.0.00.19



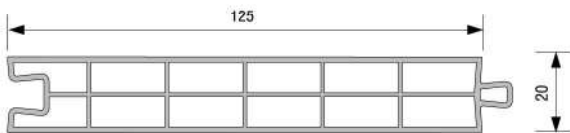
Panel Profile (125)
Code: P.A.099.5404.600.0.00.19



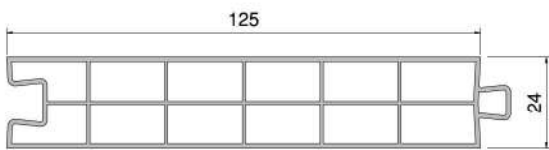
Panel Profile (60x90)
Code: P.A.099.5502.600.0.00.19



Panel Profile (50x100)
Code: P.A.099.5501.600.0.00.19



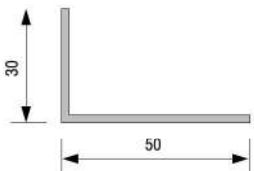
Panel Profile Two Layers (125)
Code: P.A.099.5405.600.0.00.19



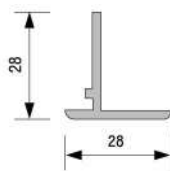
125x24 Panel Profile
Code: P.A.099.5408.600.0.00.19



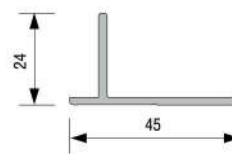
Panel Profile
Code: P.A.099.5407.600.0.00.19



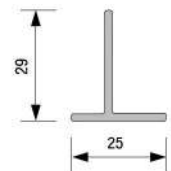
L Profile 30x50
Code: P.A.099.5500.600.0.00.19



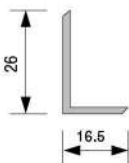
T Profile
Code: P.A.099.5509.600



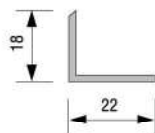
T Panel Profile
Code: P.A.099.5508.600



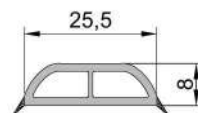
T Profile
Code: P.A.099.5507.600



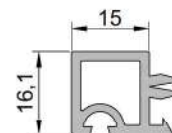
Large L Profile
Code: P.A.099.5511.600



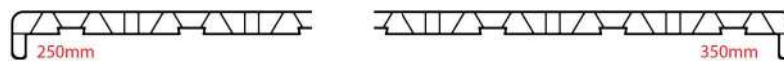
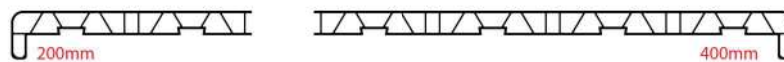
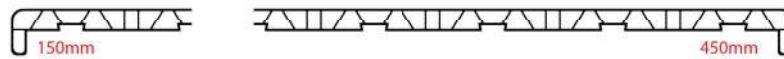
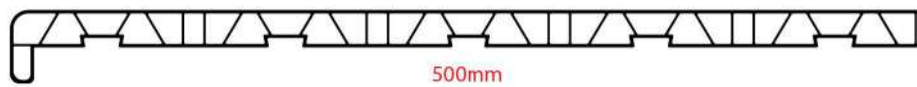
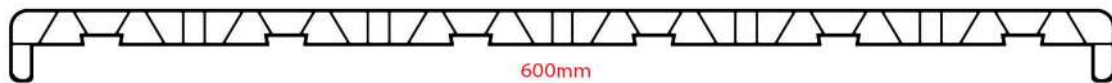
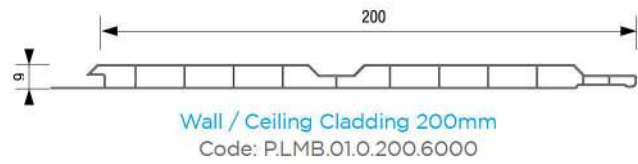
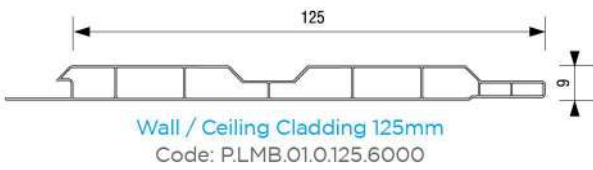
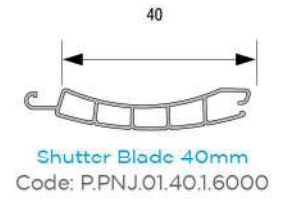
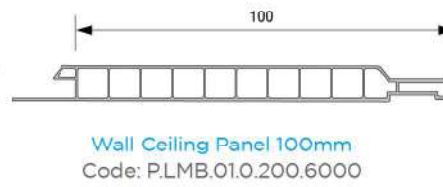
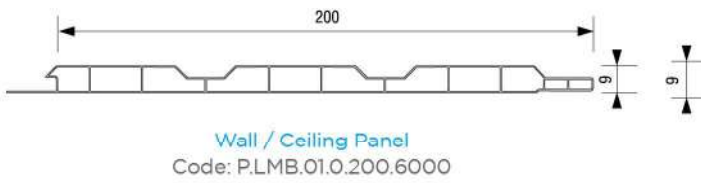
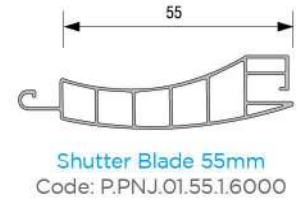
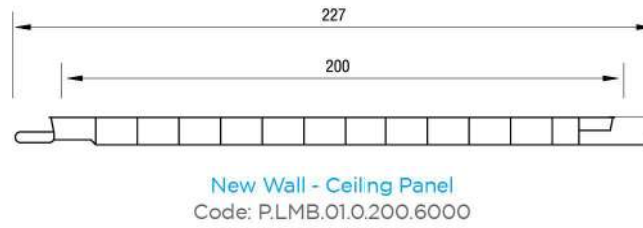
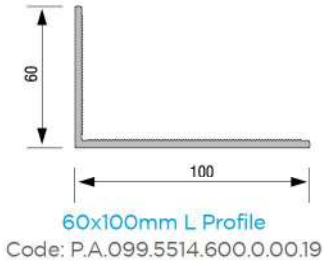
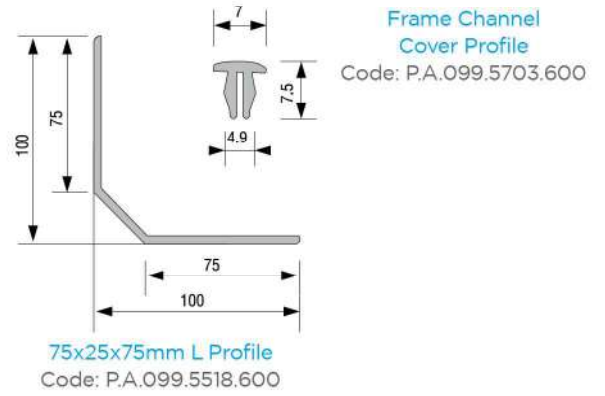
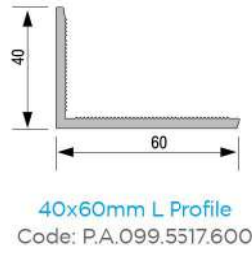
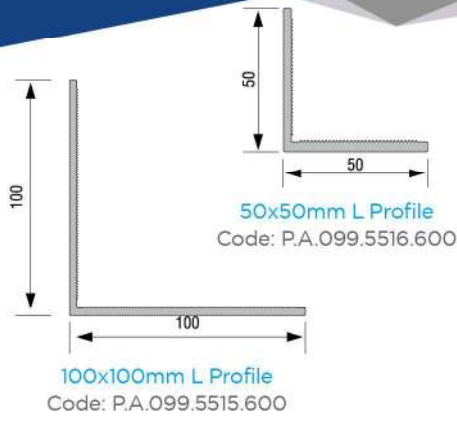
Narrow L Profile
Code: P.A.099.5510.600



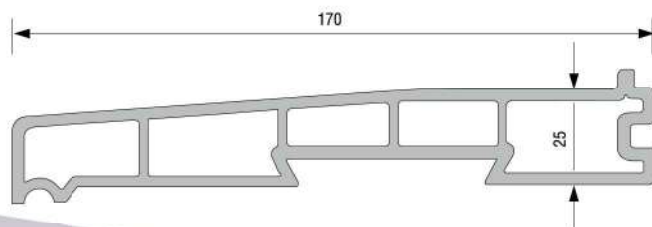
Glass Separation Bead
Code: P.A.099.4702.600.0.HC

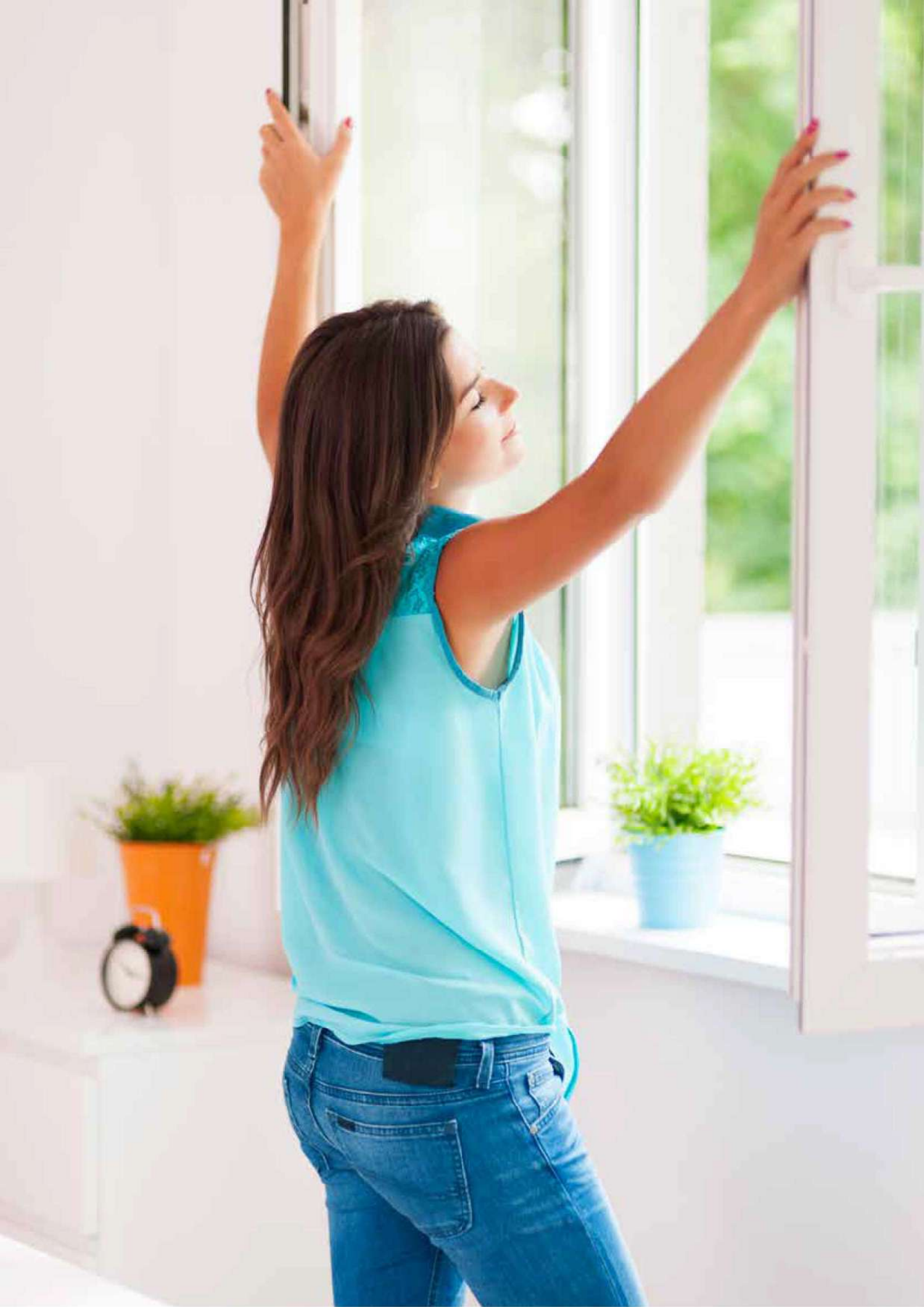


Frame Sill Profile 15mm
Code: P.A.099.5525.600.0.HC



Sill Profile
Code: P.A.099.5513.600.0.00.19











www.ado.com.tr

FACTORY

Antalya Organize Sanayi Bölgesi 2.Kısım Mah. 21.Cadde No:3

07040 Döşemealtı / ANTALYA / TURKEY

Tel : +90 242 236 20 00 · Faks : +90 242 236 20 90 · Email : info@ado.com.tr

